

CHICAGO FAUCETS
a Geberit company

2100 South Clearwater Drive
Des Plaines, IL 60018
Phone: 847-803-5000
Fax: 847-803-5454
www.chicagofaucets.com

ROUGH-IN

FITTING NO.

928-VR369CP

BY: SID

DATE: 02-18-09

SUBMITTED MODEL NO.

CHK: *[Signature]*

REV:

FOR TECHNICAL ASSISTANCE
1-800-TEC-TRUE (1-800-832-8783)

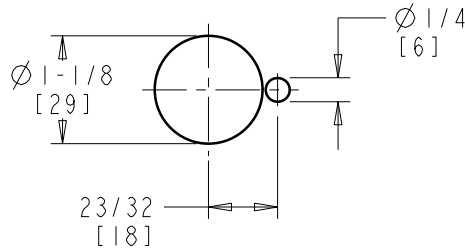
SUBMITTED AS SHOWN

SUBMITTED AS NOTED

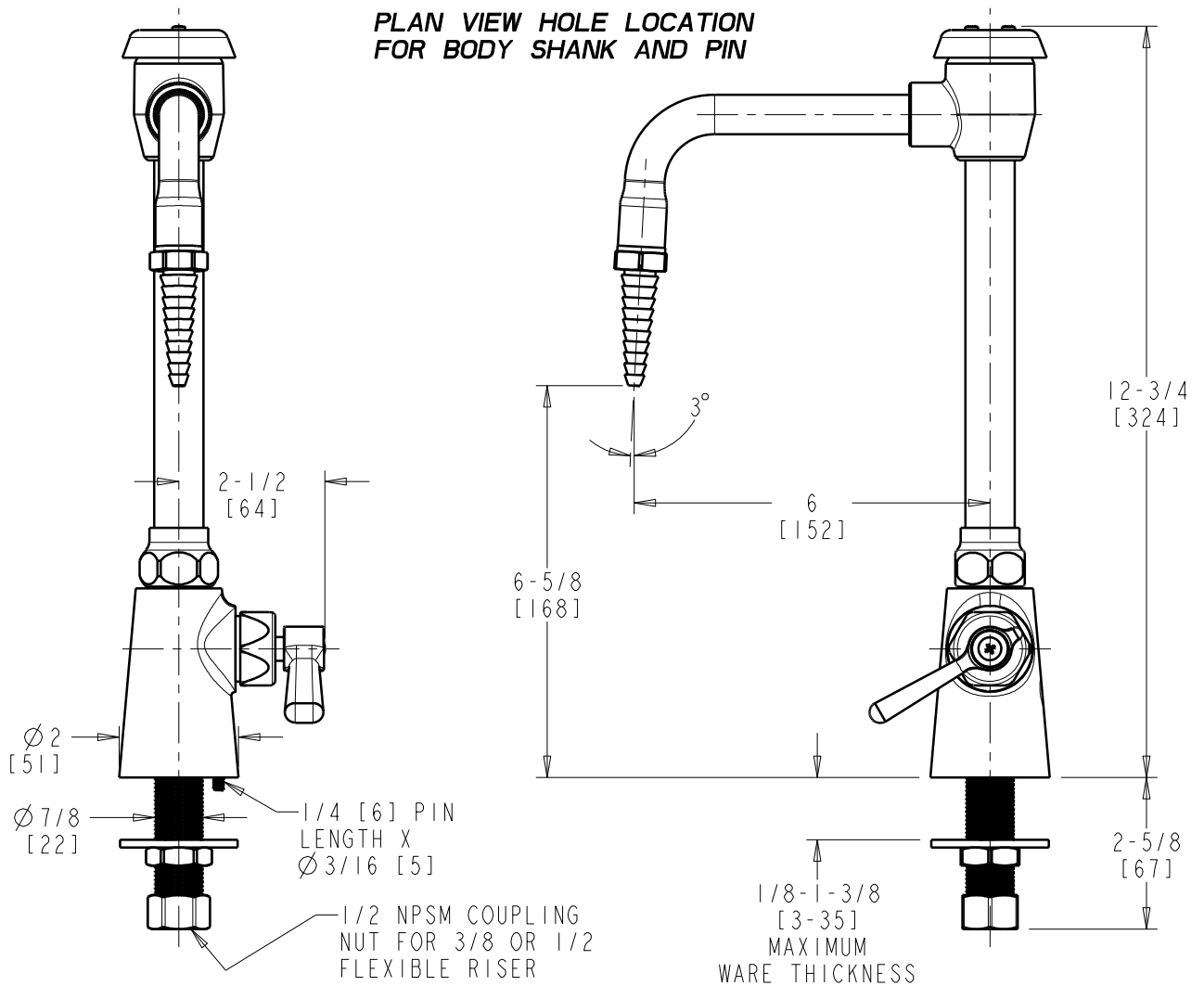
SEE ATTACHED FOR
SUBMITTED MODIFICATION

JOB NAME

ITEM NO.



**PLAN VIEW HOLE LOCATION
FOR BODY SHANK AND PIN**



DIMENSIONS ARE IN INCHES AND [MILLIMETERS].

TECHNICAL DATA

- DECK MOUNTED VANDAL RESISTANT LABORATORY FITTING
- RIGID VACUUM BREAKER SPOUT
- CAP NUT WITH SET SCREW AND BODY DECK PIN
- 369 INDEXED LEVER HANDLE WITH VANDAL RESISTANT SCREWS
- QUATURN OPERATING CARTRIDGE
- FINISH: CHROME PLATE

- E7 SERRATED NOZZLE OUTLET
- ASME A112.18.1/CSA B125.1 COMPLIANT
- ASSE 1001 COMPLIANT



ADA COMPLIANT

ROUGHING IN DIMENSIONS MAY VARY AND ARE SUBJECT TO CHANGE. NO RESPONSIBILITY IS ASSUMED FOR USE OF SUPERCEDED OR VOIDED DATA.