



a Geberit company

2100 South Clearwater Drive
Des Plaines, IL 60018
Phone: 847-803-5000
Fax: 847-803-5454
www.chicagofaucets.com

ROUGH-IN

BY: SID DATE: 01-10-08
CHK: *[Signature]* REV:

FITTING NO.

860-CP

SUBMITTED MODEL NO.

FOR TECHNICAL ASSISTANCE
1-800-TEC-TRUE (1-800-832-8783)

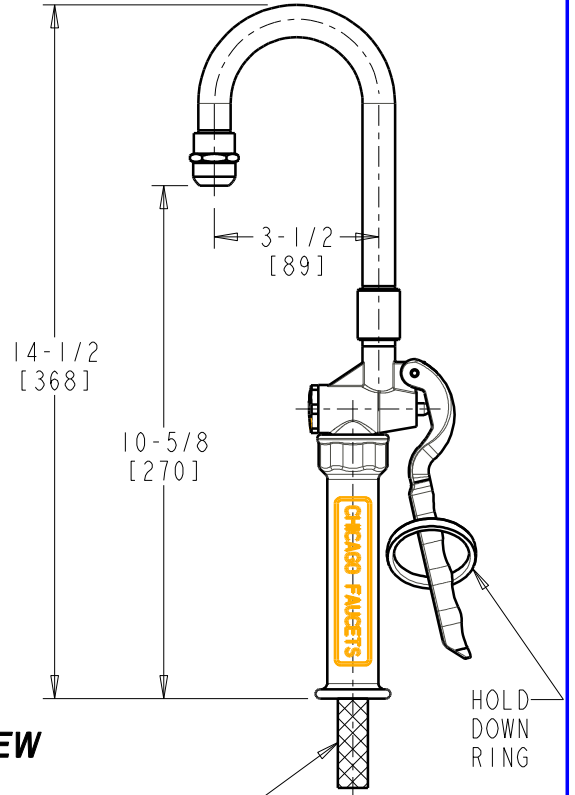
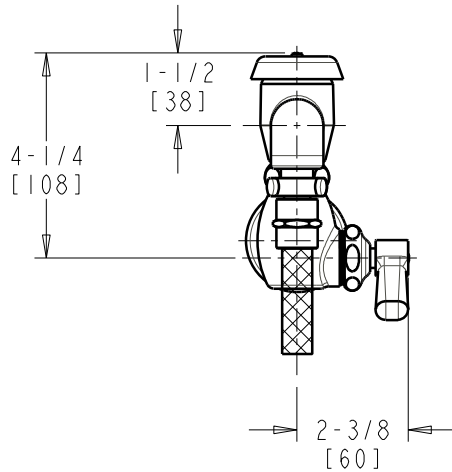
SUBMITTED AS SHOWN

SUBMITTED AS NOTED

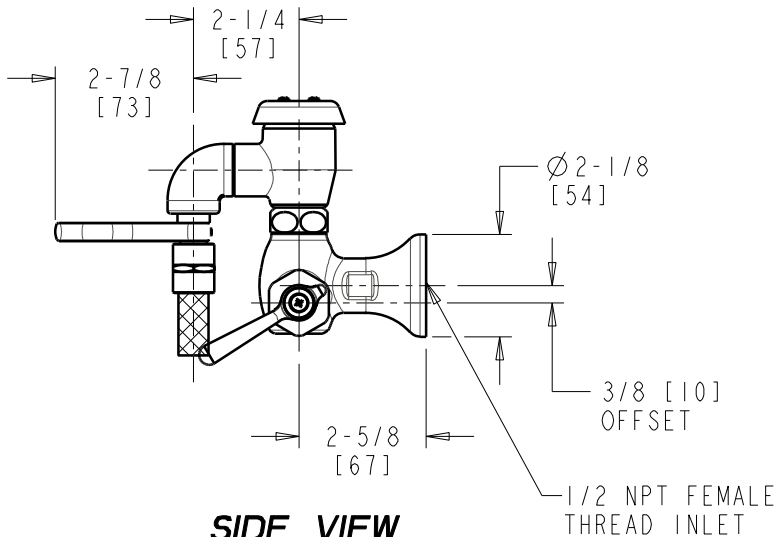
SEE ATTACHED FOR
SUBMITTED MODIFICATION

JOB NAME

ITEM NO.



FRONT VIEW



SIDE VIEW

5' [152cm] FLEXIBLE
STAINLESS STEEL HOSE

DIMENSIONS ARE IN INCHES AND [MILLIMETERS].

TECHNICAL DATA

- WALL MOUNTED POT AND KETTLE FILLER
- 369 INDEXED LEVER HANDLE
- QUATURN OPERATING CARTRIDGE
- ATMOSPHERIC VACUUM BREAKER WITH HOSE HOOK
- FINISH: CHROME PLATE

- FLEXIBLE STAINLESS STEEL HOSE WITH INTEGRAL GRANITE GREY INSULATED HANDLE
- NO. 84 KETTLE FILLER VALVE
- ASME A112.18.1/CSA B125.1 COMPLIANT

ROUGHING IN DIMENSIONS MAY VARY AND ARE SUBJECT TO CHANGE. NO RESPONSIBILITY IS ASSUMED FOR USE OF SUPERCEDED OR VOIDED DATA.