

CHICAGO FAUCETS

2100 SOUTH CLEARWATER DRIVE
DES PLAINES, ILLINOIS 60018-5999

Last As Long As The Building

FITTING NO.

305-RXK

SUBMITTED MODEL NO.

JOB NAME

ITEM NO.

SUBMITTED AS SHOWN

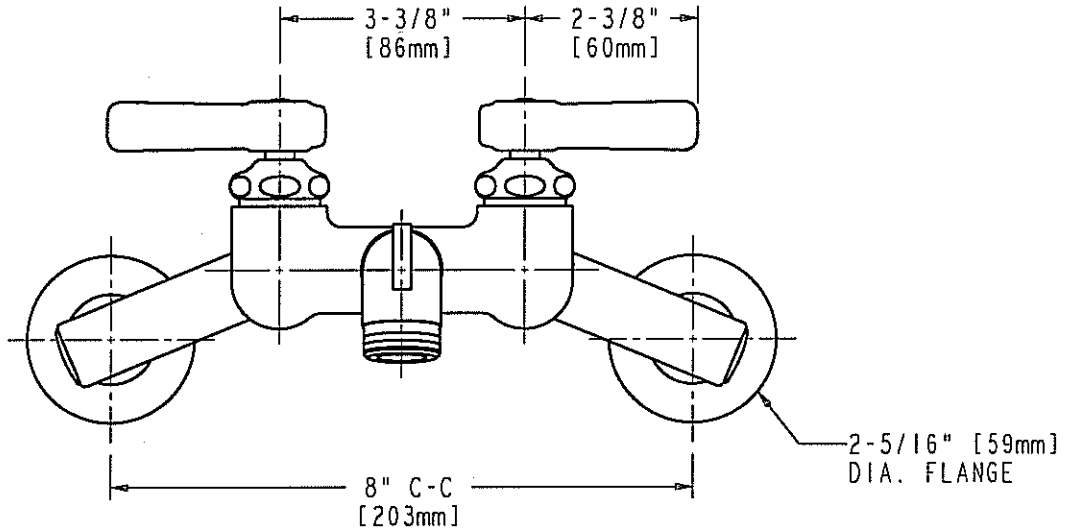
SUBMITTED AS NOTED

SEE ATTACHED FOR
SUBMITTED MODIFICATION

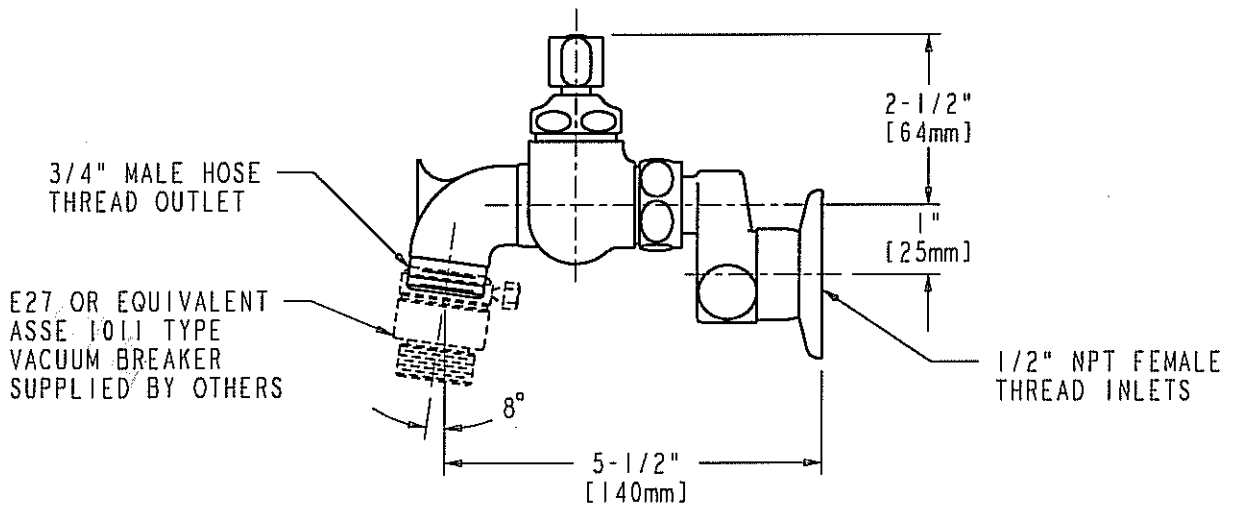
NOTE:
INSTALLATION OF THIS FITTING SHOULD
CONFORM TO LOCAL PLUMBING CODE
REQUIREMENTS FOR BACKFLOW PROTECTION



ADA COMPLIANT



FRONT VIEW



SIDE VIEW

DIMENSIONS IN INCHES AND [MILLIMETERS].

TECHNICAL DATA

- WALL MOUNTED SERVICE SINK FAUCET
- SHORT SPOUT WITH PAIL HOOK
- 369 INDEXED LEVER HANDLES
- CERAMIC DISC OPERATING CARTRIDGES
- FINISH: CHROME PLATE OR ROUGH CHROME

- 'R' ADJUSTABLE SUPPLY ARMS WITH INTEGRAL SERVICE STOPS
- 3/4" MALE HOSE THREAD OUTLET
- ASME A112.18.1M COMPLIANT
- CSA B125 COMPLIANT

DATE: 10-16-02

BY: JAR

CHK'D:

APP'D: *AT*

REV: A

305-RXK

ROUGHING IN DIMENSIONS MAY VARY AND ARE SUBJECT TO CHANGE. NO RESPONSIBILITY IS ASSUMED FOR USE OF SUPERCEDED OR VOIDED DATA.