

SofStop™ Pocket Insert Track

CS TrackSystems are an innovative range of track systems designed for a multitude of sliding doorway applications.

The **CS SofStop** is a smooth running, soft closing system designed specifically for pocket doors. It is suitable for areas where quiet is required, such as bedrooms, offices and patient rooms.

Engineered to stop doors up to 80kg (176lb), the CS SofStop is a must-have wherever quiet and safety are priorities. This system is the ultimate in style and sophistication.



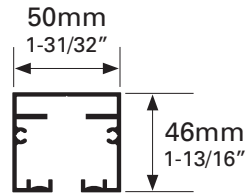
Pocket door with CS SofStop and CL400 Magnetic handle.



CS SofStop Pocket Insert Track.

SofStop™ Pocket Insert Track

Technical Information

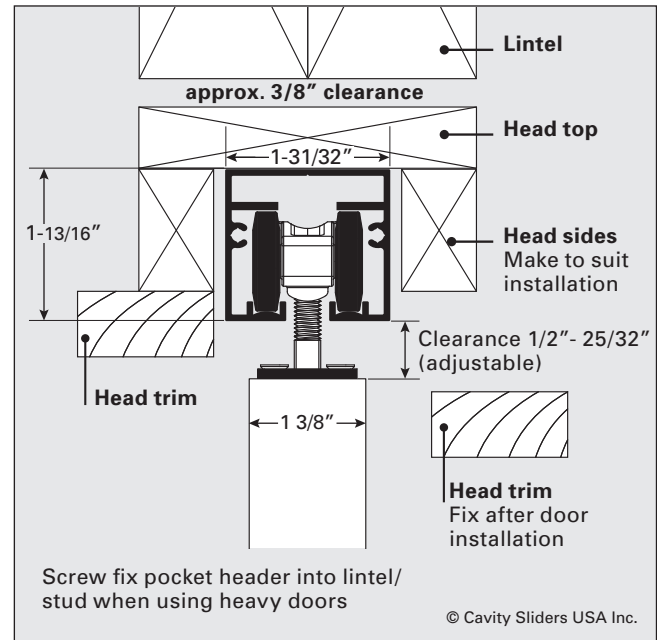


Finish:	Clear anodized	
Min Door Width:	710mm	2'4"
Max Door Weight:	80kg	176lb
Section Height:	46mm	1-13/16"
Section Width:	50mm	1-31/32"
Brush Seals Available:	No	
Carriage Pack:	15/35/55/80kg	33/77/120/176lb

Design Features & Options

- Heavy duty one-piece extruded aluminum track.**
- Pre-machined mounting holes.**
- Minimal clearance means carriages/wheels cannot jump off track or jam.**
- Large diameter wheels with precision ground bearings make for smooth running.**
- High quality soft close mechanism has been independently tested to 100,000 cycles.**
- The soft close mechanism is hidden from sight, yet remains fully serviceable.**
- CarriSnap™ quick release system allows the door to be removed easily from track; no need to unscrew anything and lose door height adjustment.**
- SofStop mechanism is engineered to stop doors up to 80kg (176lb). A small amount of force is necessary to open the door.**
- Best operating temperature: 10°C to 40°C (50°F to 104°F).**
- Available in 6' or 8' lengths. Minimum recommended door width 710mm (2'4").**

Suggested Assembly Detail



Door Weight Options

SofStop™ Model	Door Type
15kg	0 - 15 kg (0 - 33 lb) Typically standard sized hollow core doors
35kg	15 - 35 kg (33 - 77 lb) Steel reinforced or solid core doors
55kg	35 - 55 kg (77 - 120 lb) Over sized, glazed timber or aluminum doors
80kg	55 - 80 kg (120 - 176 lb) Doors between 120lb and 176lb maximum.

Carriage Pack Components

- CS SofStop soft close mechanism and wheel pack (Single or Bi-Parting)
 - All required T-Guides, fixing screws, adjusting wrench, track stops and installation instructions
-

How to Order

Refer to Carriage Packs page for more information

- 1. Specify track length**
(available in 6' and 8' pre-cut lengths)
- 2. Specify door weight** (see options on left)
- 3. Specify Single or Bi-Parting**

© All copyright and other property in this document is reserved by Cavity Sliders USA Inc. Details and specifications are subject to change without notice. Whilst all care is taken to ensure the accuracy of all information, no responsibility will be accepted for any errors or omissions. Drawings are not to scale. CS SofStop™ (O.D. 2011). Patent pending. 60969 - 04.2015

www.cavitysliders.com

High quality
New Zealand made
products



T (888) 466 0030
F (310) 769 5824
E info@cavilock.com

Cavity Sliders USA Inc.

PO Box 1392
Culver City
CA 90232

Another quality product from:

CavitySliders™
High Quality Sliding Door Hardware