

# Louey™ SideHandle

The **Louey** is a high quality side handle machined from brass, finished in either brushed chrome or oil rubbed bronze. The handle has four countersunk fixing points at its corners and a 3/8" deep recessed hand grip for a positive pull on even heavy doors.

The Louey can also be configured to latch with our **CL100 Mortise Lock**. This means that Passage Louey handles can match Latching Louey hardware on the same project.

## TimberEdgePull™

The **Timber Edge Pull** is a high-quality front edge pull for timber doors, often used together with the Louey.



*CaviLock Louey handles on Bi-Parting pocket doors.*



*A CaviLock Louey with Timber Edge Pull in Satin Chrome*

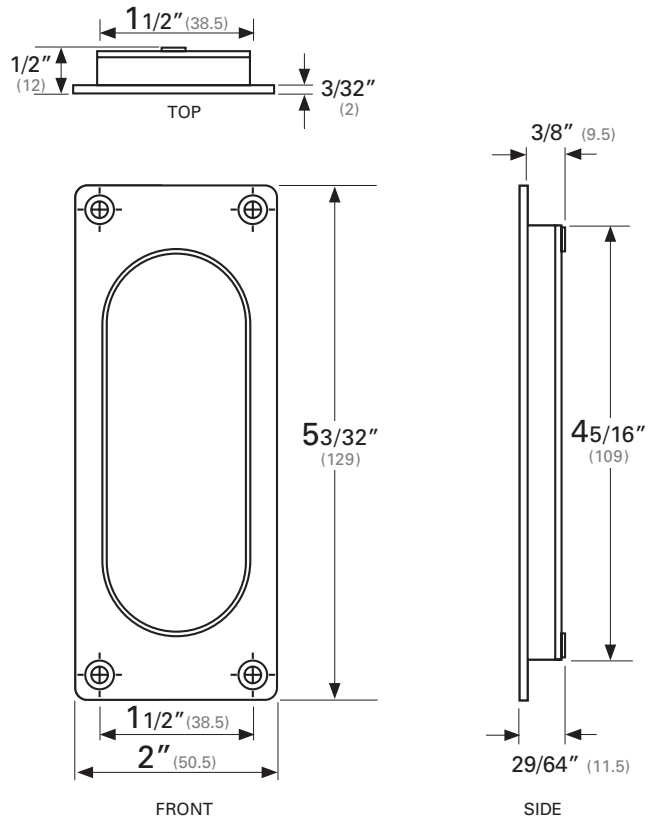
 **CaviLock®**

Handles & locks for sliding doors



Louey fitted to aluminum door.

## Dimensions



## Finish Options

▮ Satin Chrome  
CL100I3000

▮ Oil Rubbed Bronze  
CL100I3005

# TimberEdgePull™

The **Timber Edge Pull** is a high-quality front edge pull for timber doors. The body is machined from solid brass and the pull is made from cast stainless steel. It is strong enough to provide a positive grip on even the heaviest doors.

Once installed, this edge pull sits virtually flush with the edge of the door and has no visible screw fixings.



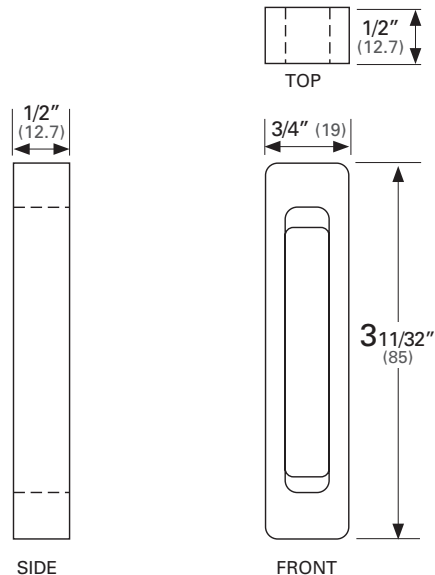
Timber Edge Pull in Satin Chrome

## Finish Options

▮ Satin Chrome  
CL800A4020

▮ Oil Rubbed Bronze  
CL800A4021

## Dimensions



Drawings & pictures are not to scale. All dimensions in inches (and mm).

[www.cavitysliders.com](http://www.cavitysliders.com)

High quality  
New Zealand made  
products



T (310) 890 8034  
(310) 890 6970  
F (310) 769 5824  
E [info@cavilock.com](mailto:info@cavilock.com)

**Cavity Sliders USA Inc.**

PO Box 1392  
Culver City  
CA 90232

Another quality product from:

**CavitySliders™**  
High Quality Sliding Door Hardware