

CAREFULLY REMOVE FROM THIS HEADER CARD

TEMPLATE

Line up with horizontal line



High Quality
New Zealand
Made Products

CL200

FOR DOORS
1⁵/₁₆" to 1⁹/₁₆" THICK

CaviLock™

Handles & locks for sliding doors

PASSAGE HANDLE
for Pocket and Surface Sliding Doors

www.csfordoors.com

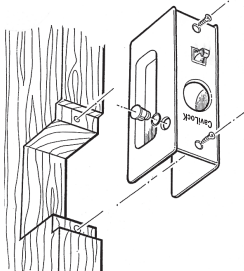
CS FOR DOORS®

EASY TO FIT

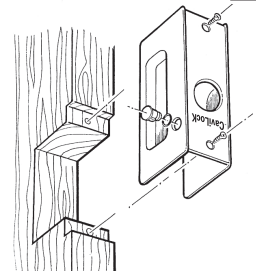
TEMPLATE ENCLOSED

Matching locking version also available

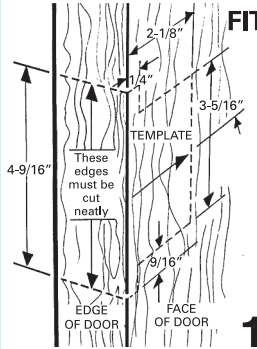
Type 'E' - Double Latching Handle.
Use with Privacy Handle A, B or C.



Standard Passage Handle



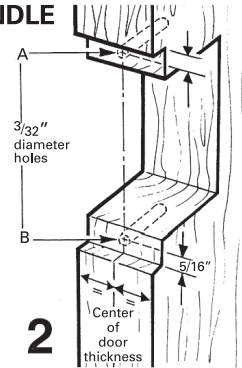
FITTING INSTRUCTIONS CL200 PASSAGE HANDLE



1

PREPARING DOOR

1. Mark a horizontal line onto the face of the door where the center of the handle is to fit (**diagram 1**).
2. Position template on the door and line up the center line of the template with the horizontal line on the door face. Draw around the template, and square the top and bottom lines across the edge of the door (**shown as dotted line**).
3. Cut out the door keeping to the line marked. Make sure the cut out on the edge is neat and accurate.
4. Mark the two holes for screwing the 'CaviLock' Front Plate to the edge of the door. Make sure the holes are marked exactly in the center of the door thickness as shown (**diagram 2, figures A and B**).
5. Drill two $\times \frac{3}{32}$ " diameter holes to a depth of 1" in the marked positions.



2

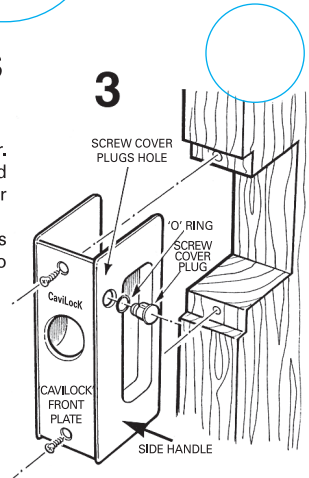
**NEVER OVERTIGHTEN the
2 x Side Handle Screws**

**and 2 x 'CaviLock'
Front Plate Screws**

FITTING INSTRUCTIONS

1. Remove Screw Cover Plugs. Loosen Side Handle Screws to remove 'CaviLock' Front Plate.
2. Prepare the door (see above for handle cut-out instructions).
3. Fit handle onto door (**diagram 3**), making sure it is flush with the front of the door. Tighten the 2 x Side Handle Screws firmly to clamp the two Side Handles to the door. (Do not overtighten or fit the Screw Cover Plugs yet). Caution: If Side Handle Screws are too tight they may damage the handle and may also prevent the removal

- of the handle for painting of door etc.
4. Fit 'CaviLock' Front Plate to edge of door. Screw in place using the 2 screws supplied (make sure plate is in the center of door thickness – **DO NOT OVERTIGHTEN**)
5. When handle fits correctly (and door has been painted etc.), fit the two 'O' Rings to the Screw Cover Plugs and push the Plugs into the handle on each side. If 'O' Rings require lubrication we recommend Vaseline.



3