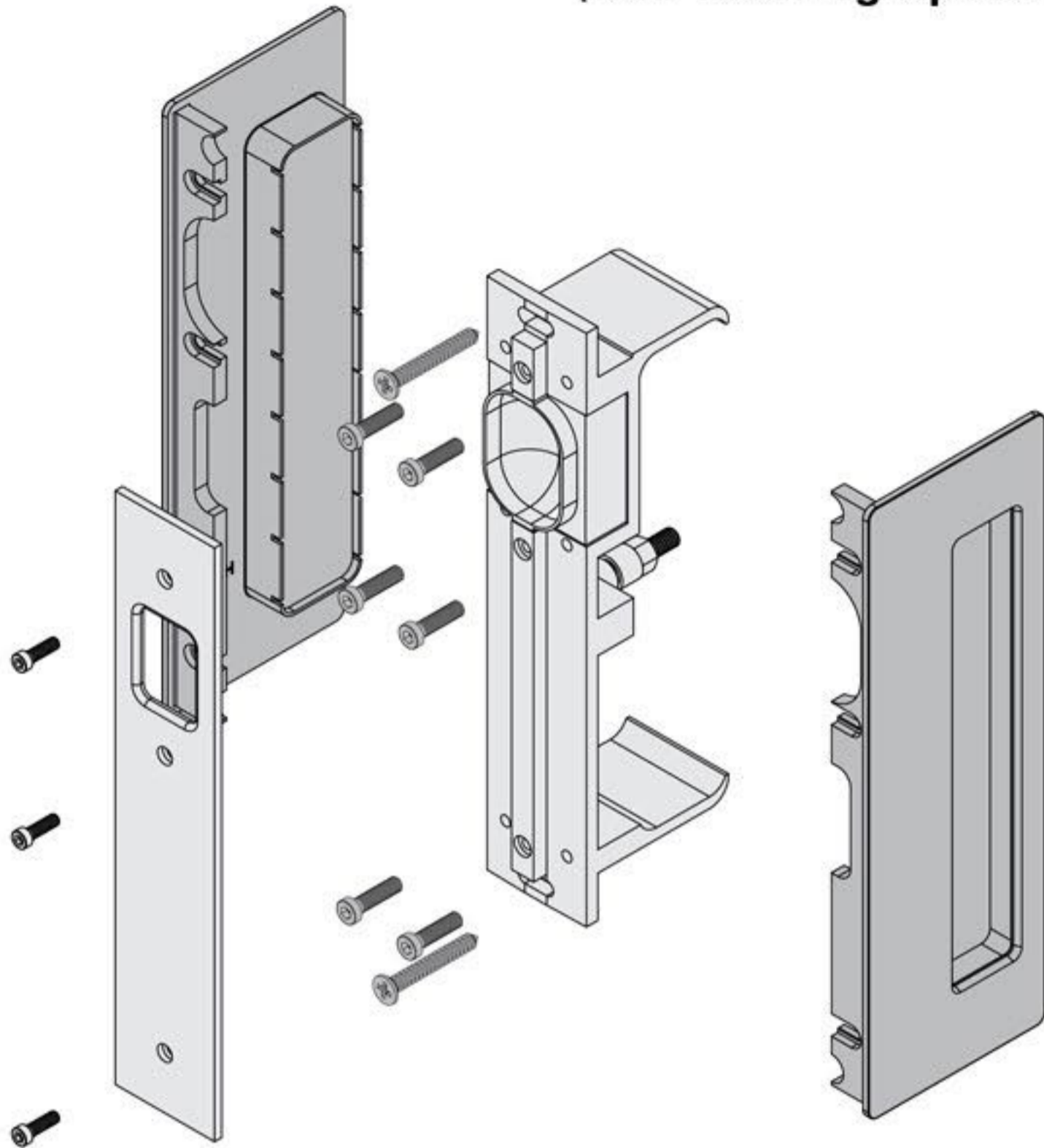
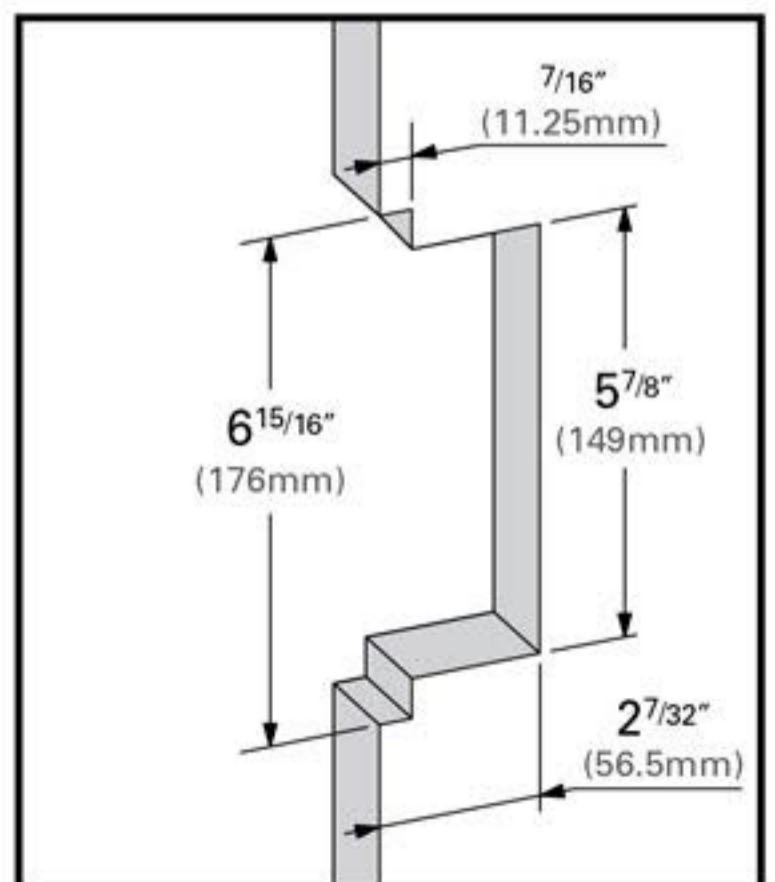


CL400 Magnetic Passage Components

(Non-Latching Option Shown)



Door cutout



Tools

