
Heritage™ Owner's Manual

READ AND SAVE THESE INSTRUCTIONS!

Safety and the proper operation of your Casablanca fan both require a thorough knowledge of the product and proper installation. Therefore, before attempting to install and operate your Casablanca fan, read this Owner's Manual completely and carefully. Retain this manual and other included documentation for future reference.

CAUTION: To avoid possible electrical shock, make certain that electricity is turned off at the circuit breaker or fuse box before attempting any installation procedure.

CONTENTS

INTRODUCTION

Before You Start	2
Safe Use	2

MOUNTING RECOMMENDATIONS

General Guidelines	3
Sloped Ceiling Installations	3

FAN INSTALLATION

Getting Started	4
Crossbar Mounting Bracket Installation	4
Lag Screw Installation (required)	6
Canopy Installation	6
Fan Preparation	7
Hanging the Fan	8
Canopy Electrical Connections	8
Canopy Hatch Installation	8
W-81 Wall Control Installation	9
Blade Installation	11
Light Fixture Installation (optional)	12
Switch Housing and End Cap Installation	13

TROUBLESHOOTING TIPS	16
--------------------------------	----

CARE RECOMMENDATIONS	16
--------------------------------	----

PRODUCT SPECIFICATIONS	17
----------------------------------	----

INTRODUCTION BEFORE YOU START

- **CAUTION: RISK OF ELECTRICAL SHOCK!** Installation is to be in accordance with the National Electrical Code, ANSI/NFPA 70-1999 and local codes. If you are unfamiliar with the wiring codes, you should use a qualified electrician. To avoid overheating and possible damage to other equipment, do not install control to a receptacle, fluorescent light fixture, motor-operated appliance, or transformer-supplied appliance.
- This fan is designed to be installed on an existing electrical outlet box. The outlet box must be UL Listed for ceiling fan installations. If it is not, a new box must be installed. Casablanca extension poles are available for sloped or high ceiling installations.
- This ceiling fan requires a grounded electrical supply of 120 VAC, 60 Hz and a minimum 15 amp circuit. The maximum current requirement for the fan with light fixture is 3.1 amps. The fan uses about 1.1 amp or 132 watts. Maximum light current is about 2.0 amps or 190 watts of lighting.
- Where wire nuts are employed, be sure all bare wires are within the connectors. When installing the canopy hatch, make sure all wires are within the canopy and that no wires are being pinched.
- **WARNING:** Do not bend the blade brackets when installing the brackets, balancing the blades, or cleaning the fan. Do not insert foreign objects in between the rotating fan blades.
- The fan must be supplied with 3 independent 120V AC supply wires to provide power for the fan, the light, and neutral.

Unpacking

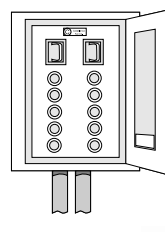
Before assembling and installing your ceiling fan, remove all parts from the shipping cartons and check them against the parts listed in the Parts Guide. Before discarding packaging materials, be certain that all parts have been removed.

**For best performance and for your warranty to be valid,
use only genuine Casablanca blades, light fixtures, and accessories.**

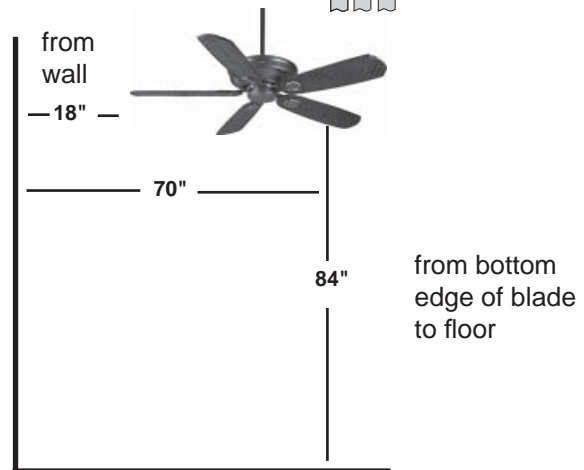
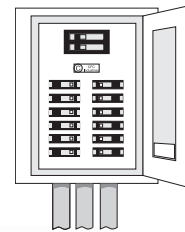
SAFE USE

- The blades in each pack are matched for equal weight to assure smooth fan operation. If more than one fan is being installed, be careful not to mix blades from different cartons.
- Inspect the contents of your carton for possible shipping or handling damage. If parts are missing or damaged, call 1-888-227-2178.
- It is always a good idea to have an assistant to help with the installation.
- When cleaning, painting, or working near your fan, be very careful of the fan and blades. Always turn the power OFF to the ceiling fan before working on it or replacing lightbulbs.
- Never insert anything into the path of the fan blades while the fan is in operation.
- Never install a fan over a pool or spa.
- Never operate a fan that has been damaged in any way. For assistance in obtaining service, call Casablanca Fan Company at 1-888-227-2178 or contact your local authorized Casablanca dealer.

Fuse Box
(Remove fuse for the circuit you will be working on)



Circuit Breaker
(Trip breaker for the circuit you will be working on)



Dimensions indicated are the minimum allowable for proper installation.

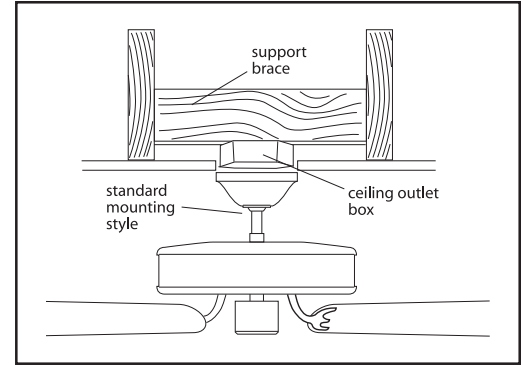
MOUNTING RECOMMENDATIONS GENERAL GUIDELINES

Before mounting your Casablanca fan, read the following helpful recommendations. The location of the fan, air circulation, and fan size are all important factors to consider before installation.

Location

Ceiling fans have practical uses in almost every room in your home. We suggest you follow these mounting recommendations as you decide where to install your Casablanca fan.

- For safety reasons, the fan blades must be a minimum of 7' above the floor.
- Do not locate the fan in a doorway or above a swinging door.
- In bedrooms, fans work best when mounted above the foot of the bed.
- Over pool tables, be sure to provide plenty of clearance to avoid damage from pool cues.
- In kitchens, be sure to allow for open cupboard doors to clear the fan blades.
- Do not install a fan close to or over a pool or spa. High humidity combined with corrosive gases will destroy the finish and warp the blades.



Fan Size

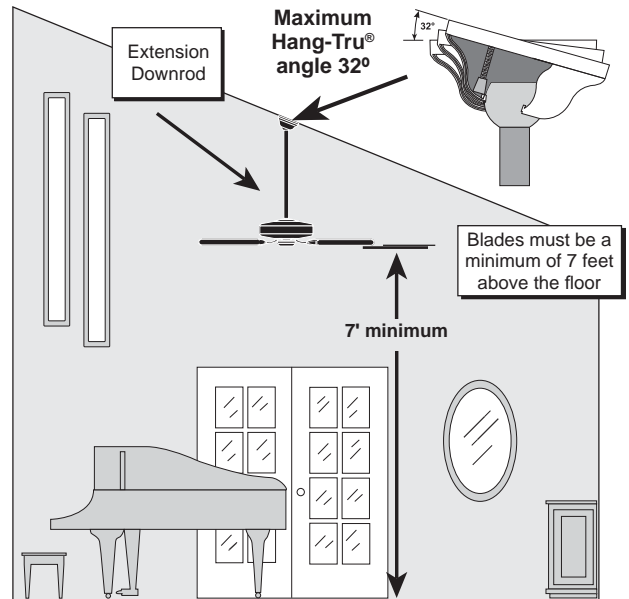
Variable fan speed capability permits the use of a full-size 60" fan even in smaller rooms. For very large rooms, two fans may be needed.

SLOPED CEILING INSTALLATIONS

SUGGESTED EXTENSION DOWNROD LENGTHS	
Ceiling Height	Downrod Length
9' 0"	3"
9' 6"	3"
10' 0"	12"
11' 0"	18"
12' 0"	24"
13' 0"	36"
14' 0"	48"
15' 0"	60"

When to Use an Extension Downrod


For optimum performance and appearance, an extension downrod should be used with your Casablanca fan when installing on high (cathedral) ceilings or sloped ceilings. Casablanca offers standard downrods in increments of 6" up to 60". See your Authorized Casablanca Dealer for details.



NOTE: The fan may wobble or vibrate if pole length is not long enough and the inside blade is too close to the downslope or side wall. Using a longer downrod will usually solve the problem.


Calculation of Ceiling Angle

Use the tear-off *Ceiling Angle Template* card inserted in this manual. It provides you with a simple "go" or "no go" for installing your fan on a sloped ceiling.




EXAMPLE 1

This slope is less than 32°. It is OK to install your fan.



EXAMPLE 2

This slope is 32°. This is the maximum slope that will allow the fan to hang straight down. It is OK to install your fan.



EXAMPLE 3

This slope is more than 32°. Your fan will not hang straight down. Contact your local Authorized Casablanca Dealer.

FAN INSTALLATION GETTING STARTED

Installing a New Ceiling Fixture Outlet Box

If you do not have an existing fixture located where you wish to place your Casablanca fan, an approved ceiling fixture outlet box must be installed and wired.

WARNING!

To reduce the risk of fire, electrical shock, or personal injury, mount to outlet box marked "Acceptable Fan Support of 22.7 kg (50 lbs.) or less" using the mounting hardware provided with the outlet box.

Using Existing Ceiling Fixture Outlet Box

After turning the power OFF at its source (either the circuit breaker or fuse box), lower the old fixture and disconnect the wiring. Check the ceiling fixture outlet box to be sure it is marked "Approved for Ceiling Fan Mounting." If it is not, a new box must be installed.

CROSSBAR MOUNTING BRACKET INSTALLATION

CEILING HARDWARE (not to scale)



Crossbar Mounting Bracket



Rubber Gasket



Mounting Plate



Lag Screw and Washer (1)
1" x 8-32 Roundhead Screws and Washers (2)

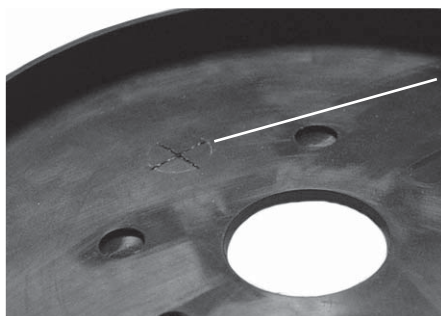


Wire Nuts (4)

Note: After removing the old fixture, check the outlet box to ensure that it is supported by a joist or beam across its upper surface. If not, a 2 x 4 stud must be installed.

Step 1a. Remove the knockout plug in the center of the outlet box or drill a 1/2-inch hole for the lag screw to pass through. Then drill a 1/4-inch guide hole into the joist or beam to a depth of 3 inches.

Step 1b. The rubber gasket has a cutout already in the gasket for the wires as shown in Figure #1. Route the outlet box wires through the rubber gasket and the mounting plate as shown in Figure #2.



CUTOUT FOR WIRES

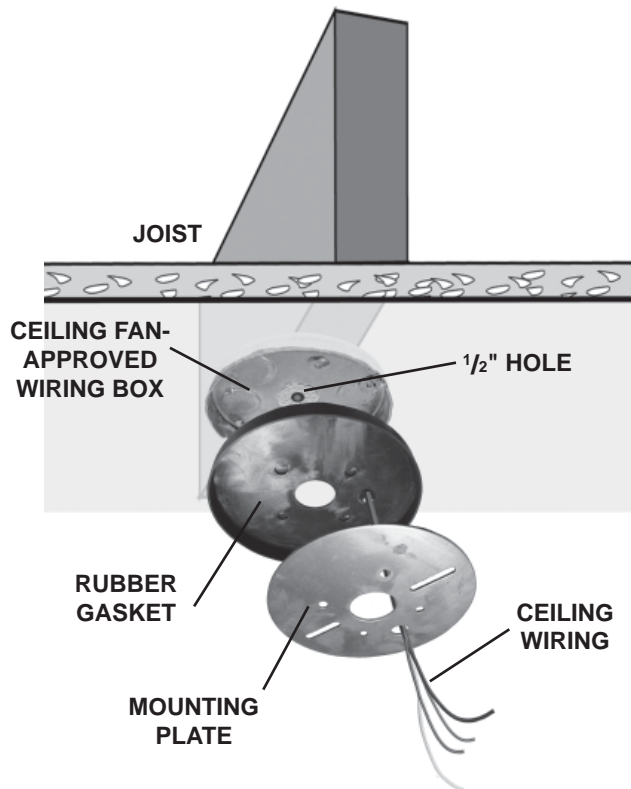


Figure #1

Figure #2

Step 1c. After routing the outlet box wires through the rubber gasket and the mounting plate, route the outlet box wires along side of the crossbar mounting bracket as shown in Figure #3. Attach the crossbar mounting bracket to the outlet box with the screws provided. First you will need to make a hole in the rubber gasket for the screws before attaching the crossbar mounting bracket to the outlet box. Make sure the outlet box wires are not pinched by the washer.

CAUTION:

To reduce the risk of personal injury, use only the mounting hardware provided with the approved outlet box to install the crossbar mounting bracket.

WARNING!

Support directly to building structure only.

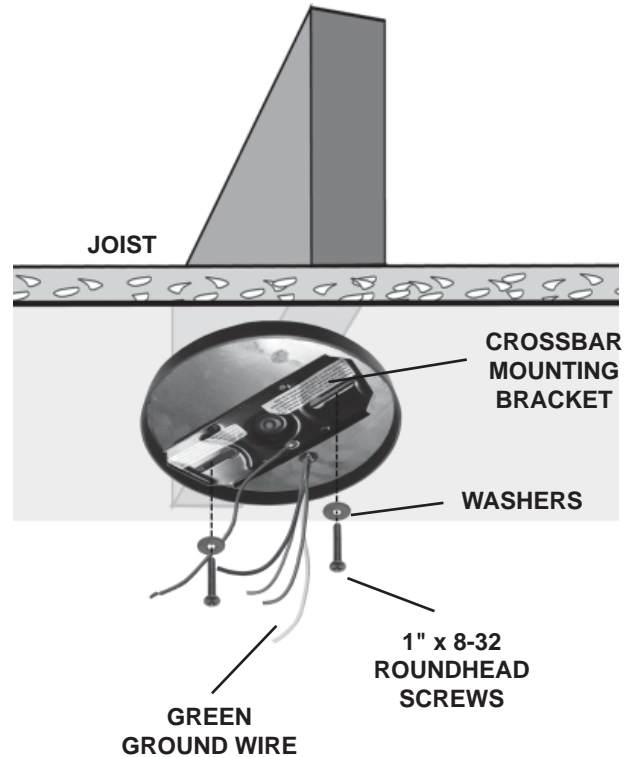
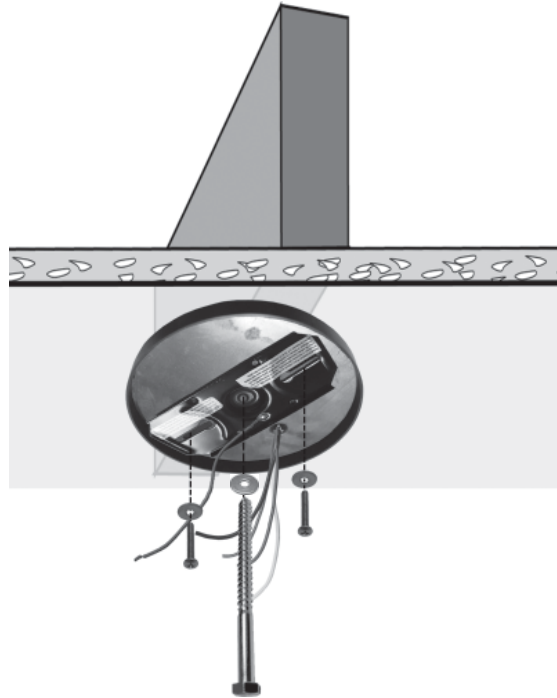


Figure #3

LAG SCREW INSTALLATION (REQUIRED)

NOTE: This step is required only under two conditions: If the fan weighs 36 lbs. or more or if the existing ceiling fixture outlet box needs to be modified for a ceiling fan application (for example, if the house is not new construction and you are replacing an existing light fixture). We recommend that the ceiling box be of sufficient capacity to support the weight of the fan and light fixture under any conditions. If in doubt whether you need to install the lag screw, consult a qualified electrician.

Step 2. Pass the lag screw through the center hole of the crossbar mounting bracket and screw into the guide hole. Tighten until the outlet box is mounted firmly to the beam. This box must be secured to the ceiling firmly.



CANOPY INSTALLATION

CANOPY HARDWARE (not to scale)

Canopy Hatch



Canopy



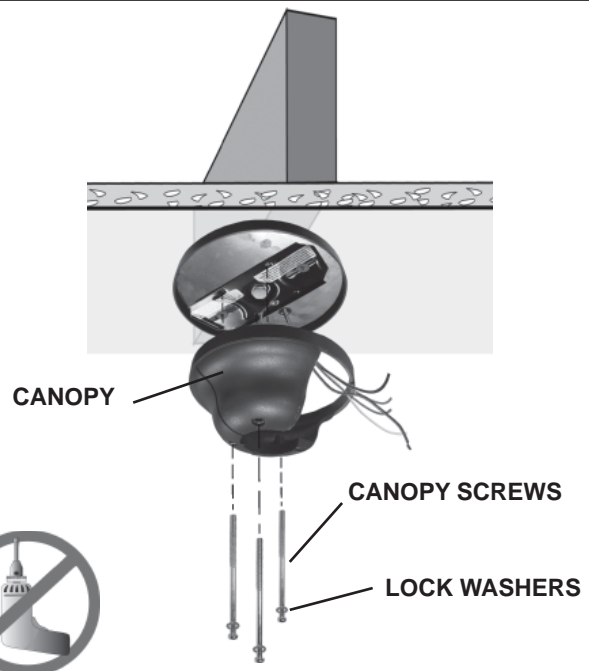
Canopy Screws and Lock Washers (4)



Phillips
Screwdriver

Step 3. Attach the canopy to the crossbar mounting bracket with three of the 8-32 x 2¹/₂" long canopy screws and lock washers provided with your Casablanca fan. Tighten using the provided screwdriver until snug against the ceiling.

NOTE: On sloped ceilings, align the canopy opening with the top or peak of the room.



FAN PREPARATION

PERMA•LOCK™ HARDWARE AND TOOLS NEEDED (not to scale)

3" Perma•Lock™ Downrod and Ball Assembly



Pole Cover



Set Screw



Allen Wrench



IMPORTANT SAFETY INFORMATION:
Before starting the installation of your ceiling fan, install the threaded downrod into the motor coupling and lock the assembly.



PAPER MOTOR SHIELD

Figure #1

Prepare for fan installation as follows:

Step 4a. Remove the paper shield (Figure #1) from the motor.

Step 4b. Locate the Set Screw as shown in Figures #2 and #3. If the end of the Set Screw can be seen within the motor coupling as shown in Figure #3, you will need to unscrew the Set Screw so that the tip of the Set Screw does not remain in the path of the downrod.

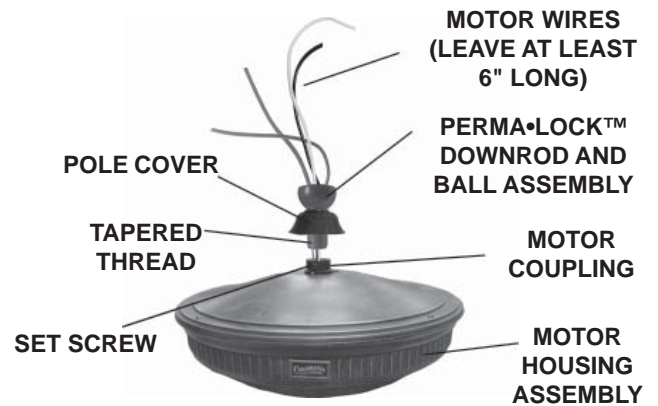


Figure #2

Step 4c. Slide the pole cover on to the downrod, then route the wires through the 3" Perma•Lock downrod and ball assembly as shown in Figures #2 and #4. Insert the downrod into the motor coupling and turn it clockwise until it stops turning as shown in Figure #4, ensuring that the downrod has bottomed out.

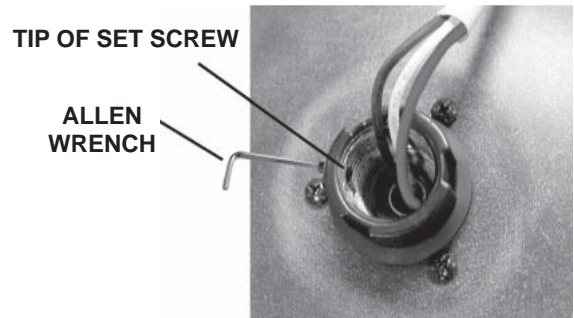


Figure #3

TIP: The downrod has a tapered thread as shown in Figure #4 that is designed to lock completely when installed correctly.

Step 4d. Tighten the Set Screw with the Allen wrench as shown in Figure #4 to ensure safe operation of your fan. If it is tight enough, you should not be able to turn the downrod counterclockwise with your hands. If in doubt, tighten the Set Screw with the Allen wrench until you cannot turn it any further.

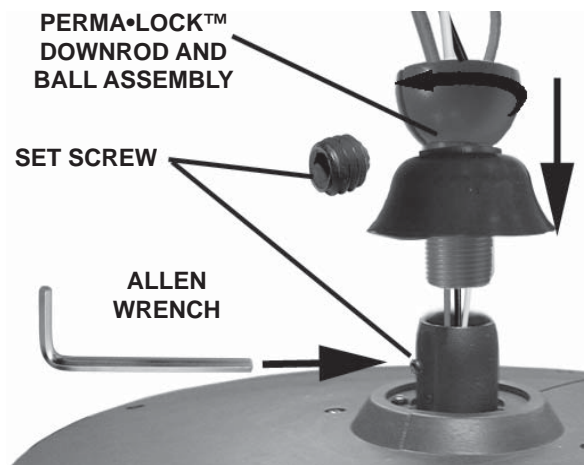


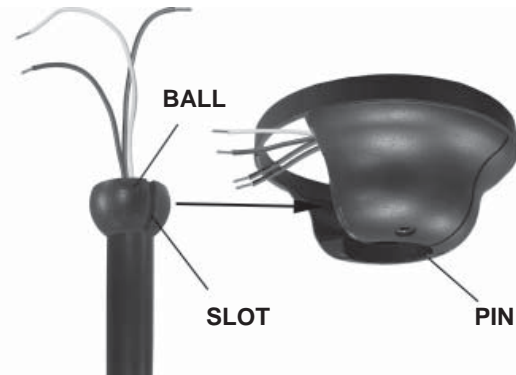
Figure #4

CAUTION: Failure to fully screw in the downrod all the way into the motor coupling may cause the fan to separate from the downrod and fall during normal operation.

HANGING THE FAN

Step 5a. To hang the fan body in the canopy, hold the fan body firmly and insert the ball into the canopy opening. Check that no wires are pinched. Rotate the fan body until the slot in the ball fits into the pin opposite the canopy opening.

Step 5b. Trim excess motor wires, leaving at least 6 inches above the downrod. Strip ½-inch insulation from the end of each wire using a wire stripper (available at your local hardware store).



CANOPY ELECTRICAL CONNECTIONS

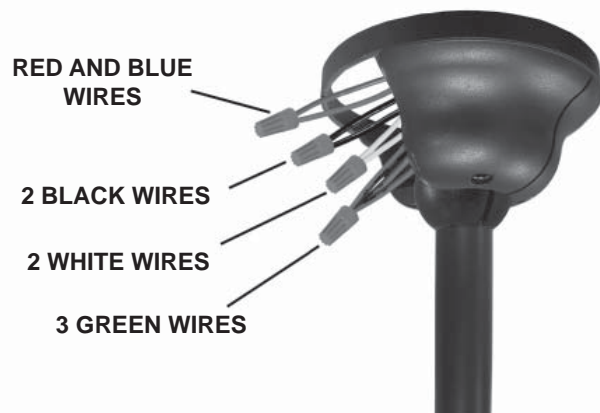
Step 6. Attach the fan wires to the ceiling fixture outlet box wiring by placing the bare ends of the wires side by side and then securing with a wire nut. Test that the connection is secure by pulling on the wire nut. Connect in this order:

- **GREEN** leads from mounting plate and downrod assembly of fan to **GROUND** conductor of power source. Secure with wire nut.
- **WHITE** wire from fan to white **NEUTRAL** wire in ceiling fixture outlet box. Secure with wire nut.
- **BLACK** power wire from fan to **BLACK** power wire in ceiling outlet box. Secure with wire nut.
- **BLUE D1-OPTION** wire from fan to **RED** power wire (second hot wire) in ceiling outlet box. Secure with wire nut.

After making the wire connections, the wires should be spread apart with the grounded conductor and the equipment-grounding conductor on one side of the outlet box and the ungrounded conductor on the other side of the box. The splices after being made should be turned upward and pushed carefully into the outlet box.



WIRE NUT



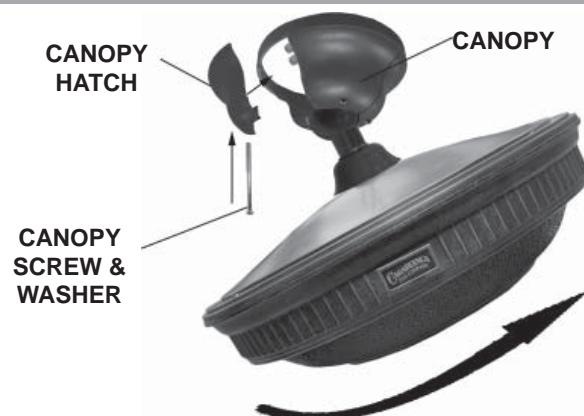
NOTE: If the color of your ceiling wires differs from that described, consult an electrician.

CANOPY HATCH INSTALLATION

Step 7a. Tuck the wires into the canopy with the wire nuts pointed upwards, so that the WHITE and BLACK wires are on opposite sides of the canopy and all wires are clear of the canopy opening.

Step 7b. Install the canopy hatch with the last canopy screw and lock washer using the provided screwdriver. To do this, tilt the fan body away from the hatch opening. Tighten the screws firmly.

Step 7c. Straighten the fan, then check to ensure that there is no movement between the canopy and the ceiling or the downrod and the ball assembly.



W-81 WALL CONTROL INSTALLATION

CONTROL HARDWARE (not to scale)



W-81 Wall Control
(assembled)



Wall Plates (2)



Wall Control (1)



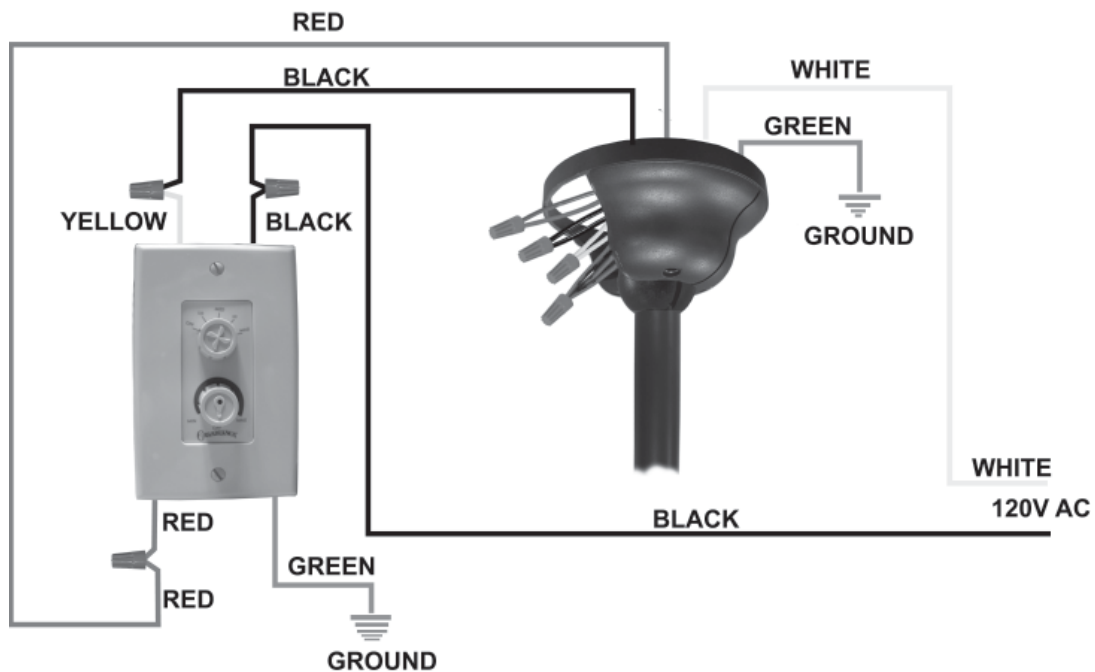
Wall Plate
Screws (4)



Switch Box
Screws (4)



Wire Nuts (4)



W-81 WIRING DIAGRAM

- The fan must be supplied with three independent 120V AC supply wires to provide power for the fan, the light, and neutral.
- The fan can be turned ON and OFF by the wall control.
- The optional light fixture can be turned ON and OFF by the wall control and the intensity adjusted from Low to High.
- The W-81 is designed to replace a standard wall switch and will fit wall boxes (metal or plastic) with a depth of 2" or greater.

1. Remove the screws and switch plate from the existing switch box.
2. Remove the screws holding the switch in the switch box.
3. Pull the existing switch from the switch box to expose the wire connections.
4. Remove the three wires from the switch.
5. Prepare wires if necessary, by stripping ½-inch insulation from the end of each wire using a wire stripper.

CAUTION! Ensure the power is turned OFF at the breaker or fuse panel before starting installation.

NOTE: The wire connectors provided are suitable for copper wire only. Use to join the following wire combination: One No. 14 gauge with one No. 16 or 18 gauges.

6. Connect in this order:

- **GREEN GROUND** conductor from the wall box to the GREEN wire from wall control (labeled GRD).
- **BLACK** wire from fan in the wall box to **YELLOW** wire on wall control (labeled FAN).
- **RED** wire from fan in the wall box to **RED** wire on the wall control (labeled LIGHT).

NOTE: BLUE D1 optional fan wire to RED power wire in ceiling outlet box.

- **BLACK** wire from the source of power (**HOT WIRE**) wire in the wall box to **BLACK** wire on wall control (labeled LIVE)

NOTE: If the colors of your wiring differ from that described, consult an electrician.

7. Inspect each wire nut and ensure that no bare wire is visible. Pull on each wire to test if the connection is mechanically sound.

8. Install the W-81 in the wall box with the two switch box screws provided as shown in Figure #2.

CAUTION! Be sure no wires are pinched!

9. Install the wall plate on to the switch and screw in the two wall plate screws as shown in Figure #3.

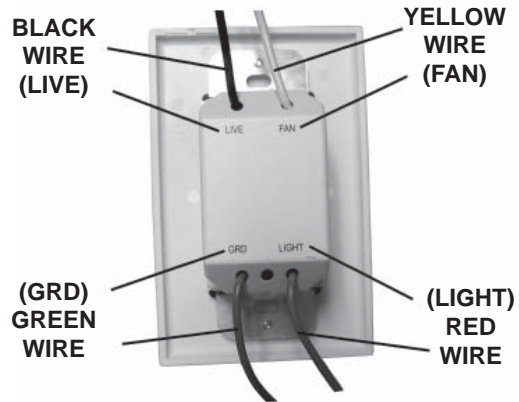


Figure #1

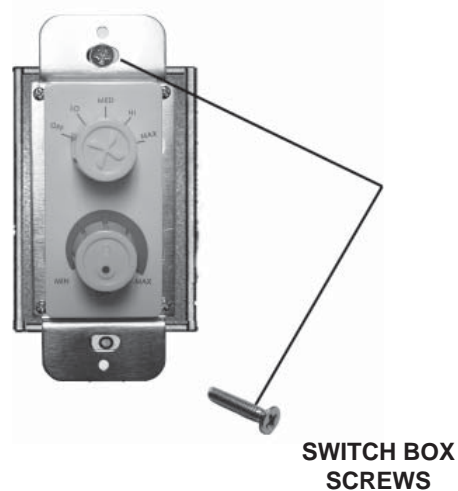


Figure #2



Figure #3

BLADE INSTALLATION

BLADE HARDWARE (not to scale)



Blades (5)
(packed separately)



Blade Irons (5)



Blade Iron Screws (11)



Blade Badges (5)



Blade Screws (21)



Phillips Screwdriver

NOTE: Blades are packaged separately based on blade style. For illustrative purposes, the BL-ADK-RA (Adirondack Reclaimed Antique) blades are shown. Please use the instructions below for all three blade types.

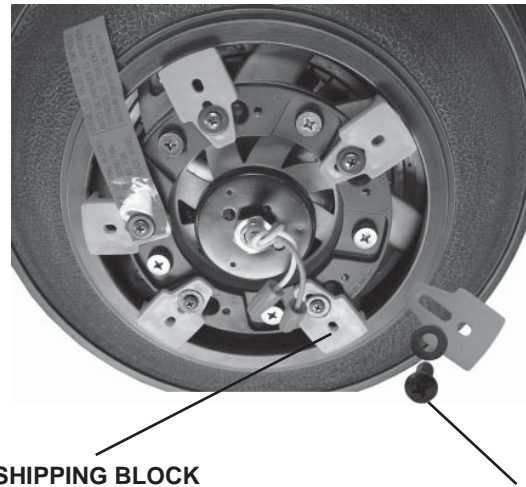
Step 8. Remove the five shipping blocks, washers, and screws as shown in Figure #1. DO NOT discard the five screws; you will need them for installing the blades onto the fan.

Attach Blade Irons

Step 9. Attach a blade to a blade iron by first pressing the blade badge onto the blade, then attaching the blade iron using four blade screws as shown in Figure #1. Using the provided screwdriver, tighten securely *by hand only*. Repeat for each blade assembly.

Blade Installation

Step 10. Before attempting to attach the blades, review Figure #3 for blade placement on the blade holder adapter ring. The numbers and lines show screw placement when attaching the five blade irons and blades assemblies to the fan. When placing the blades on the adapter ring, each blade iron will cover one of the five adapter ring mounting screws as shown.



SHIPPING BLOCK

Figure #1

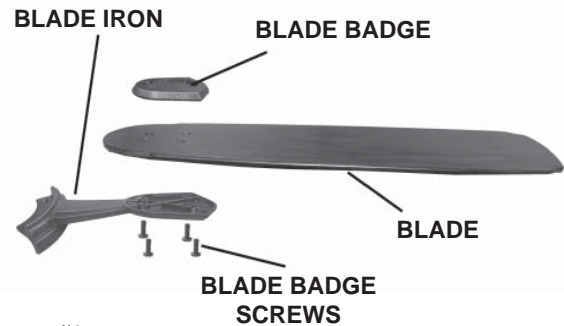


Figure #2

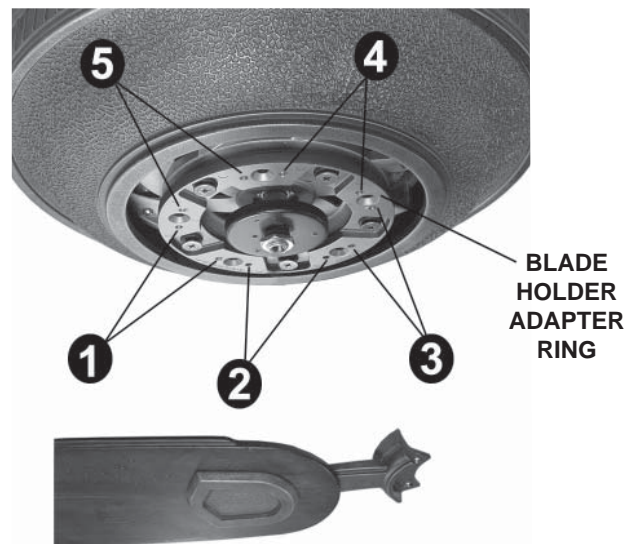


Figure #3



Blade Installation

Step 11. Attach a blade/blade iron assembly to the blade ring by using two blade iron screws provided. Place the end of the blade iron on the blade holder adapter ring as shown in Figure #4. Insert the screws one by one using the provided screwdriver. Tighten securely *by hand only*. Repeat for each blade/blade iron assembly until all five blades are attached to the fan as shown in Figure #5.

CAUTION:

Blade screws must be tightened securely before operating the fan.

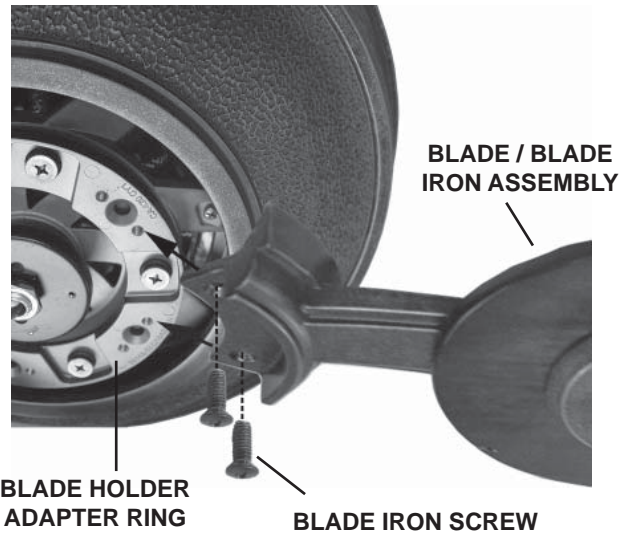


Figure #4



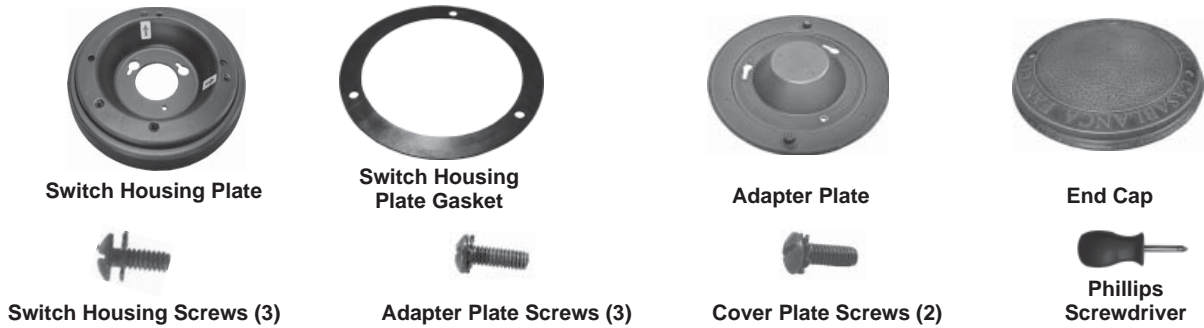
Figure #5

LIGHT FIXTURE INSTALLATION (OPTIONAL)

Step 12. If you have purchased a Heritage™ compatible light fixture for your fan (KGC10W, KGC12W, or KGC19W), you will need to install it at this time. Using the instructions and hardware packed with the fixture; install it on the fan and skip steps 13-15. If you did not purchase a light fixture for your fan, continue with Step 13.

SWITCH HOUSING AND END CAP INSTALLATION

SWITCH HOUSING HARDWARE (not to scale)



Switch Housing Installation

Step 13a. Install two of the three switch housing screws onto the switch housing adapter plate as shown in Figure #1.

Step 13b. Thread BLUE and WHITE wires through the hole in the center of the switch housing plate and align the two keyholes with the two screws that were installed on the switch housing. Place the switch housing plate over the two screws and rotate it clockwise so that the two screws are holding the switch housing plate as shown in Figures #2 and #3.

Step 13c. Align the screw hole on the switch housing with the screw hole in the switch housing plate and insert the third screw as shown in Figure #3. Then tighten all three screws with the provided screwdriver.

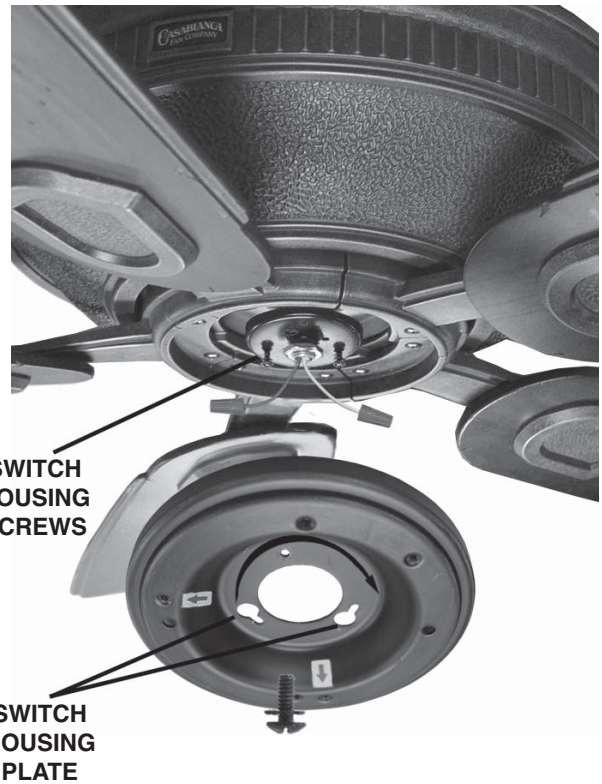


Figure #2

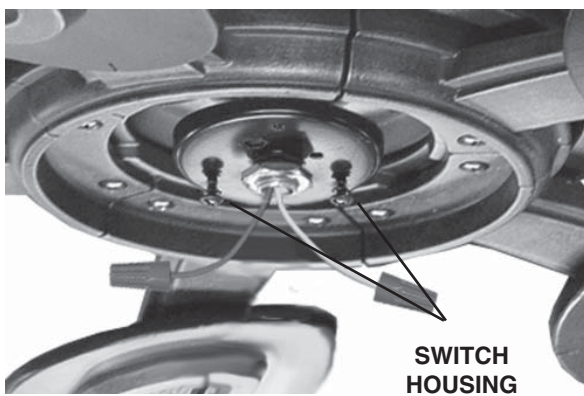


Figure #1

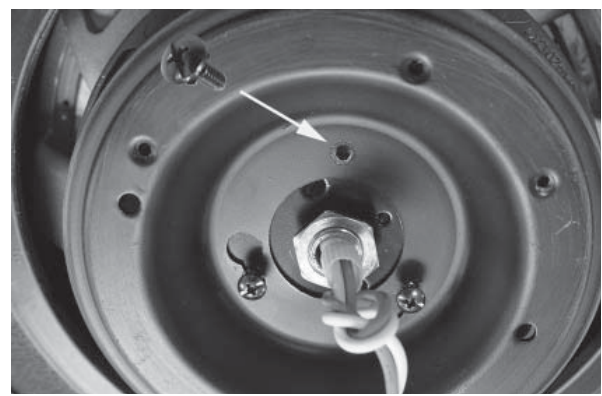


Figure #3

Step 14a. Locate the two **RED ARROWS** printed on the **WHITE** sticker as shown in Figure #4. Using the screwdriver provided, attach the switch housing plate gasket to the switch housing plate by screwing in two of the three screws shown in Figure #4 part way only.

Step 14b. Carefully tuck the wires so they do not get pinched, then align the two key holes on the adapter plate with the two screws that were installed onto the switch housing plate as shown in Figure #5. Place the adapter plate over the two screws and rotate the adapter plate clockwise so that the two screws are holding the adapter plate to the bottom of the fan as shown in Figures #4 and #6.

Step 14c. Screw in the last of the three screws holding the adapter plate to the bottom of the fan as shown in Figure #6 and tighten all three screws with the screwdriver.

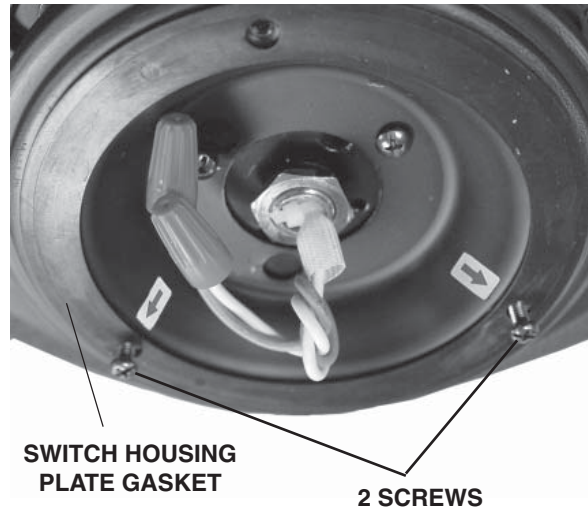


Figure #4



Figure #5

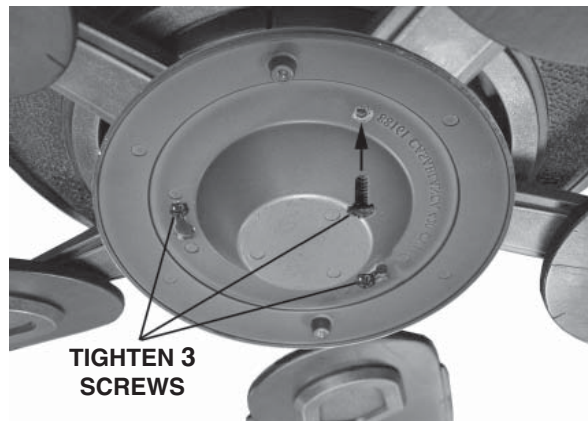


Figure #6



Step 15. Align the two holes on the End Cap with the two screw post located on the bottom of the adapter plate as shown in Figure #7. Then with the provided screwdriver, use the two cover plate screws to attach the End Cap to the fan as shown in Figure #8.

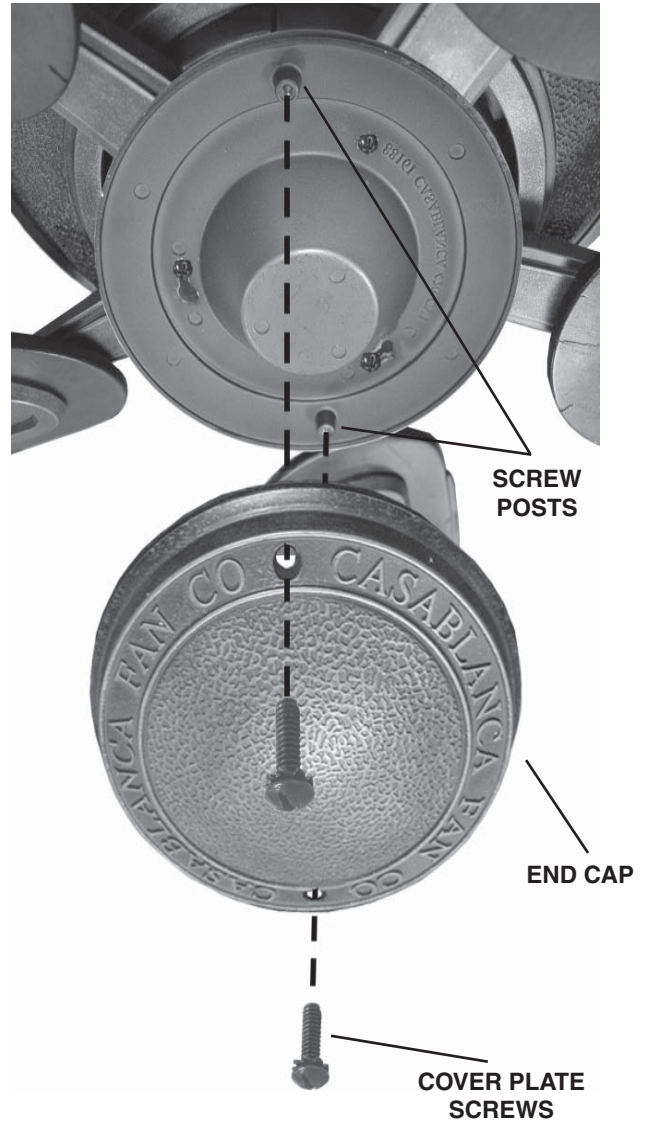


Figure #7



Figure #8



TROUBLESHOOTING TIPS

Please refer to this troubleshooting guide before requesting service or contacting your dealer for assistance.

PROBLEM	POSSIBLE REMEDIES
Fan wobbles or shakes excessively	<ul style="list-style-type: none"> Be sure the canopy pin is set properly into the slot on the ball. Check that the bladeholders have not been bent during installation and the blades are balanced. The hanger bracket and/or the ceiling outlet are attached too loosely. Make sure the hanger bracket is attached tightly to the ceiling outlet box and the downrod assembly is secured firmly. The downrod is attached to the downrod base too loosely. Make sure all the screws are securely tightened.
Fan is noisy during operation	<ul style="list-style-type: none"> Tighten the canopy screws and mounting plate assembly. Make sure the wire nuts inside the canopy and switch housing are not touching the metal parts and that they have not fallen off the wire splices. Tighten as necessary. Tighten the blade holders to the direct drive motor and the blades to the bladeholder screws. Make sure all the screws in the motor housing are snug but not overly tight. Check and tighten the light fixture retaining screws, glass shade screws, and/or lightbulb(s).
Fan does not run on low speed	<ul style="list-style-type: none"> If fan is new, it may need to be "broken in." Run at high speed for several days.

CARE RECOMMENDATIONS

Fan Finishes

- For cleaning, a soft brush or lint-free cloth should be used to prevent scratching the finish.
- A vacuum cleaner brush nozzle can remove heavier dust.
- Surface smudges or an accumulation of dirt and dust can be removed easily using a mild detergent and slightly dampened soft cloth. An antistatic agent may be used, but *never use abrasive cleaning agents* as these will damage the finish.

Blades

- Wood-finish blades should be cleaned with a furniture polishing cloth. Occasionally, a light coat of furniture polish may be applied for added protection and beauty.
- For painted and high-gloss blades, surface smudges or an accumulation of dirt and dust can be removed easily using a mild detergent and slightly dampened soft cloth. An antistatic agent may be used, but *never use abrasive cleaning agents* as these will damage the finish.

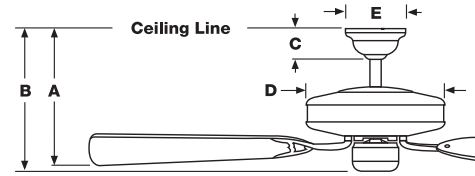
No Need for Lubrication

- Never lubricate this fan!* The precision motor at the heart of your Casablanca fan features sealed bearings that are lubricated for life.
- Do not attempt to oil the motor.

For questions or to locate the nearest Casablanca Authorized Service Center call toll free: 1-888-227-2178
or visit us on the web at: www.casablancafanco.com

PRODUCT SPECIFICATIONS

Model Name: Heritage™
Model Number: C19xxxF
ETL Rating: Wet
Motor: XTR200™ 30mm
Blade Span: 60"
Blade Pitch: 14°
No. of Blades: 5
Technology: W-81 four-speed wall control



Motor with Heritage™ Compatible Blades	Weight (lbs)	Speed* (rpm)	Airflow* (cfm)	Electricity Use* (watts)	Airflow Efficiency* (cfm/watt)	A	B	C	D	E
BL-ADK-RA (Adirondack Reclaimed Antique)	39	167	7,932	96.4	82.3	12.7	13.4	2.9	16	5.6
BL-TDW-BK (Traditional Wicker Black)	45	125	6,780	97.2	69.8	12.7	13.4	2.9	16	5.6
BL-TPW-WB (Tropical Wicker Weathered Bronze)	47	155	6,736	99.3	67.8	13.3	13.4	2.9	16	5.6

* = At high speed

This device complies with RSS-210 of Industry Canada. Operation is subject to the following two conditions: (1) this device may not cause interference, and (2) this device must accept any interference, including interference that may cause undesired operation of the device.

1. This device complies with part 15 of the FCC Rules. Operation is subject to the following two conditions: (1) this device may not cause harmful interference, and (2) this device must accept any interference received, including interference that may cause undesired operation.

2. This equipment has been tested and found to comply with the limits for a Class B digital device, pursuant to Part 15 of the FCC Rules. These limits are designed to provide reasonable protection against harmful interference in a residential installation. This equipment generates, uses and can radiate radio frequency energy and, if not installed and used in accordance with the instructions, may cause harmful interference to radio communications. However there is no guarantee that interference will not occur in a particular installation. If this equipment does cause harmful interference to radio or television reception, which can be determined by turning the equipment off and on, the user is encouraged to try to correct the interference by one or more of the following measures: Reorient or relocate the receiving antenna, Increase the separation between the equipment and receiver, Connect the equipment into an outlet on a circuit different from that to which the receiver is connected. Consult the dealer or an experienced radio/TV technician for help. Note: Any changes or modifications to the transmitter or receiver not expressly approved by Casablanca Fan Company may void one's authority to operate this remote control.