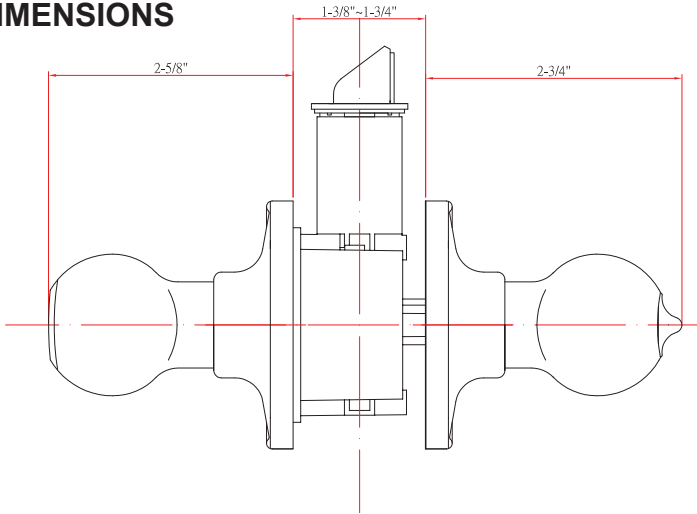


CAMDEN

GRADE 2 RESIDENTIAL



DIMENSIONS



STANDARD SPECIFICATIONS

Door Prep	Cross bore: 2-1/8" Edge bore: 1" Latch face: 1" x 2-1/4"	Latches	Entrance: 2-3/8" & 2-3/4" adjustable (C9073 R/S) Passage/Privacy: 2-3/8" & 2-3/4" adjustable (C9074 R/S) Faceplate: 1" x 2-1/4" Rd. & Sq. corner Bolt: 1/2" throw
Backset	Fits 2-3/8" and 2-3/4"	Strikes	1-3/4" x 2-1/4" full lip Rd. & Sq. corner (9103 & 9102). Includes Reinforcement Plate.
Door Thickness	1-3/8" ~ 1-3/4" door standard	Wood Screws	Combination screws that suit both wood or metal door mounting. Includes 1-1/2" Security Screws
Cylinder	SC1 5-pin standard; KW1 5-pin optional Entries packed KA5	Grade 2 Features	<ul style="list-style-type: none"> Protective collar Interlocking installation guides Reinforced spring assembly

PRICING

Model	Function	WT/LB	CTN QTY		US3	US15	US10BE
100T-CA-G2	Entrance	17 Lbs	10 Pcs	Item No.	G2KE1003	G2KE1001	G2KE1007
				List Price			
101T-CA-G2	Passage	14 Lbs	10 Pcs	Item No.	G2KE1013	G2KE1011	G2KE1017
				List Price			
102T-CA-G2	Privacy	14 Lbs	10 Pcs	Item No.	G2KE1023	G2KE1021	G2KE1027
				List Price			
115-CA	Dummy	9 Lbs	20 Pcs	Item No.	KE1053	KE1051	KE1057
				List Price			

FUNCTIONS

Entrance (100)	Passage (101)
Privacy (102)	Dummy (115)



THE DELANEY CO.

Copyright © THE DELANEY CO. All rights reserved.