

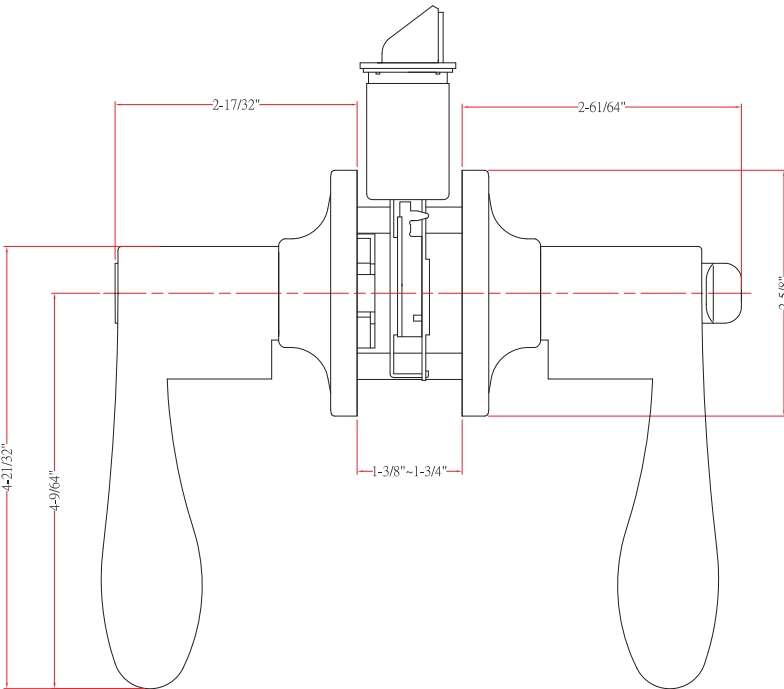
NEW BENNETT®

Without Hexagon Handing Feature

Old World Quality New Age Design



DIMENSIONS



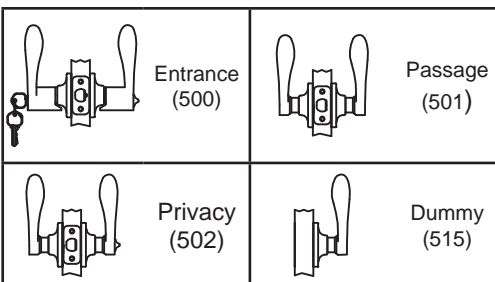
STANDARD SPECIFICATIONS

Door Prep	Cross bore: 2-1/8" Edge bore: 1" Latch face: 1" x 2-1/4"
Backset	Fits 2-3/8" and 2-3/4"
Door Thickness	1-3/8" - 1-3/4" door standard 2-1/4" Ext. Kit available
Cylinder	KW1 5-pin standard; SC1 5-pin optional Entries packed KA5
Latches	Entrance: 2-3/8" & 2-3/4" adjustable (9073) Passage/Privacy: 2-3/8" & 2-3/4" adj. (9074) Faceplate: 1" x 2-1/4" round corner Bolt: 1/2" throw
Strikes	1-3/4" x 2-1/4" full lip round corner (9103)
Wood Screws	Combination screws that suit both wood or metal door mounting
Door Handing	Reversible lever. Handing required for Dummy function & Handleset Interior.

PRICING

Model	Function	WT/CTN	CTN QTY		US3 Bright Brass	US15 Satin Nickel	US15A Antique Nickel	US10BE Edged Bronze	BLACK
500T - BE	Entrance	35 Lbs	20 Pcs	Item No.	BN5103	BN5101	BN5108	BN5107	BN5104
				List Price					
501T - BE	Passage	23 Lbs	20 Pcs	Item No.	BN5013	BN5011	BN5018	BN5017	BN5014
				List Price					
502T - BE	Privacy	24 Lbs	20 Pcs	Item No.	BN5023	BN5021	BN5028	BN5027	BN5024
				List Price					
515 - BE	Dummy	15 Lbs	20 Pcs	Item No.	BN5053	BN5051	BN5058	BN5057	BN5054
				List Price					

FUNCTIONS



Extension Kits Available
See Page C-45



HANDING GUIDE

