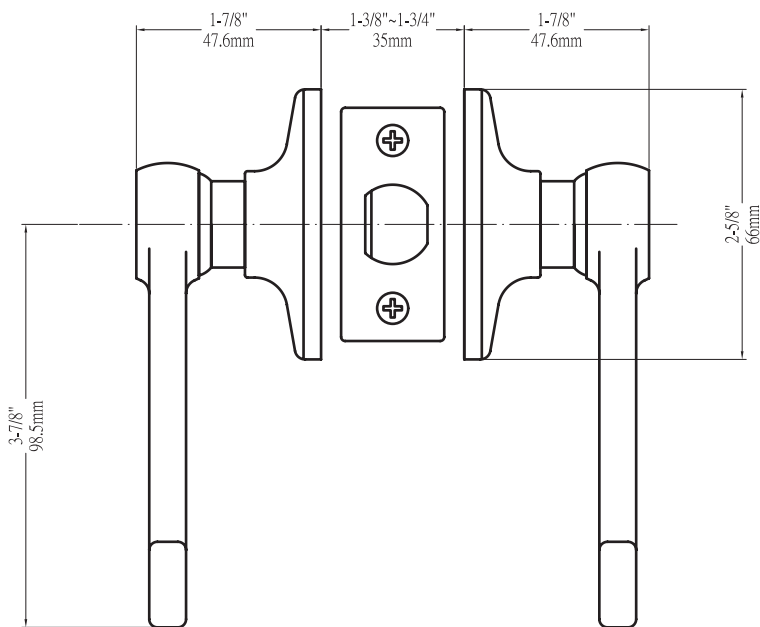


LEXINGTON

Old World Quality New Age Design



DIMENSIONS



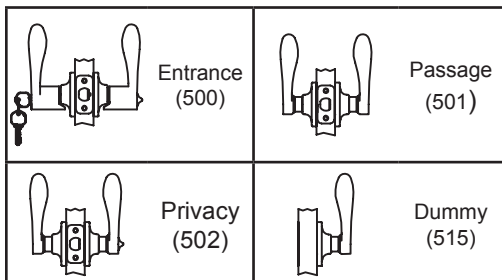
STANDARD SPECIFICATIONS

Door Prep	Cross bore: 2-1/8" Edge bore: 1" Latch face: 1" x 2-1/4"
Backset	Fits 2-3/8" and 2-3/4"
Door Thickness	1-3/8" ~ 1-3/4" door standard
Cylinder	KW1 5-pin standard; SC1 5-pin optional Entries packed KA5
Latches	Entrance: 2-3/8" & 2-3/4" adjustable (9073) Passage/Privacy: 2-3/8" & 2-3/4" adjustable (9074) Faceplate: 1" x 2-1/4" round corner Bolt: 1/2" throw
Strikes	1-3/4" x 2-1/4" full lip round corner (9103)
Wood Screws	Combination screws that suit both wood or metal door mounting
Door Handing	Reversible lever* *Handing required for Dummy function only

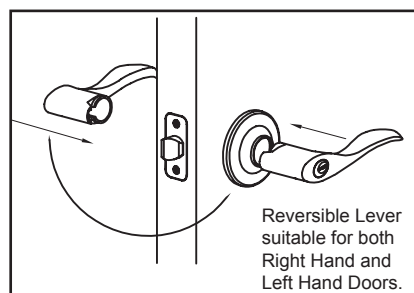
PRICING

Model	Function	WT/LB	CTN QTY		US3	US15	US5	US15A
500T - LE	Entrance LE/FD	35 Lbs	20 Pcs	Item No.	—	KA5001	—	—
				List Price				
500T - LE	Entrance LE/LE	35 Lbs	20 Pcs	Item No.	KA5103	KA5101	KA5105	KA5108
				List Price				
501T - LE	Passage	23 Lbs	20 Pcs	Item No.	KA5013	KA5011	KA5015	KA5018
				List Price				
502T - LE	Privacy	24 Lbs	20 Pcs	Item No.	KA5023	KA5021	KA5025	KA5028
				List Price				
515 - LE	Dummy	15 Lbs	20 Pcs	Item No.	KA5053	KA5051	KA5055	KA5058
				List Price				

FUNCTIONS



HANDING GUIDE



THE DELANEY CO.

Copyright © THE DELANEY CO. All rights reserved.

Effective 10/1/2010