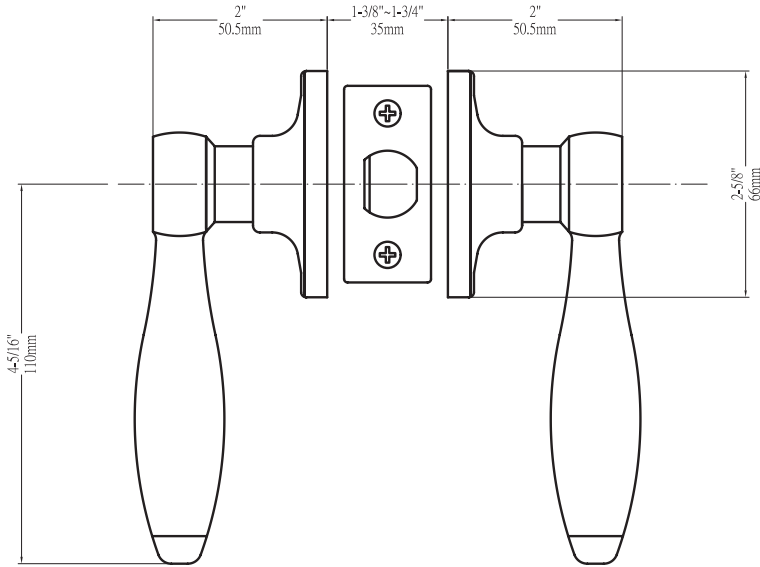


# KINGSTON

Old World Quality New Age Design



## DIMENSIONS



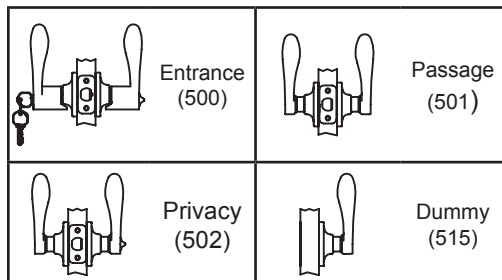
## STANDARD SPECIFICATIONS

<b>Door Prep</b>	Cross bore: 2-1/8" Edge bore: 1" Latch face: 1" x 2-1/4"
<b>Backset</b>	Fits 2-3/8" and 2-3/4"
<b>Door Thickness</b>	1-3/8" ~ 1-3/4" door standard
<b>Cylinder</b>	KW1 5-pin standard; SC1 5-pin optional Entries packed KA5
<b>Latches</b>	Entrance: 2-3/8" & 2-3/4" adjustable (9073) Passage/Privacy: 2-3/8" & 2-3/4" adjustable (9074) Faceplate: 1" x 2-1/4" round corner Bolt: 1/2" throw
<b>Strikes</b>	1-3/4" x 2-1/4" full lip round corner (9103)
<b>Wood Screws</b>	Combination screws that suit both wood or metal door mounting
<b>Door Handing</b>	Reversible lever Handing required for Dummy function only

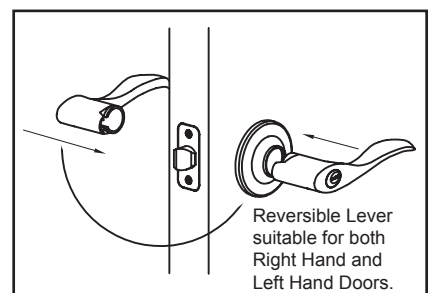
## PRICING

Model	Function	WT/LB	CTN QTY		US3	US15	US15A	US10BE
500T - KI	Entrance	35 Lbs	20 Pcs	Item No.	KI5103	KI5101	KI5108	KI5107
				List Price				
501T - KI	Passage	23 Lbs	20 Pcs	Item No.	KI5013	KI5011	KI5018	KI5017
				List Price				
502T - KI	Privacy	24 Lbs	20 Pcs	Item No.	KI5023	KI5021	KI5028	KI5027
				List Price				
515 - KI	Dummy	15 Lbs	20 Pcs	Item No.	KI5053	KI5051	KI5058	KI5057
				List Price				

## FUNCTIONS



## HANDING GUIDE



THE DELANEY CO.

Copyright © THE DELANEY CO. All rights reserved.