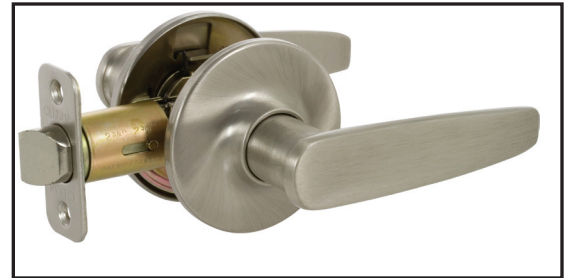
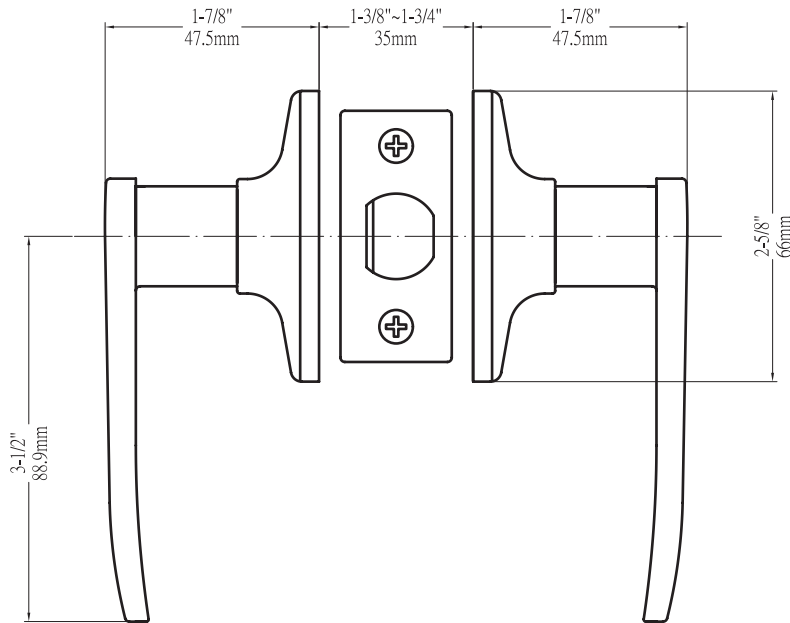


# ASHTON

Old World Quality New Age Design



## DIMENSIONS



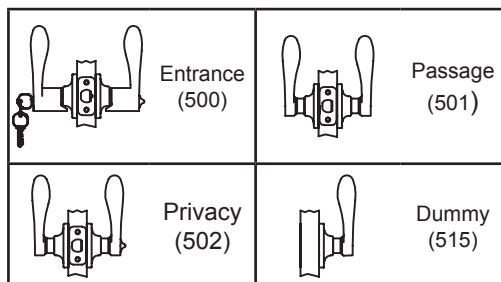
## STANDARD SPECIFICATIONS

<b>Door Prep</b>	Cross bore: 2-1/8" Edge bore: 1" Latch face: 1" x 2-1/4"
<b>Backset</b>	Fits 2-3/8" and 2-3/4"
<b>Door Thickness</b>	1-3/8" ~ 1-3/4" door standard
<b>Cylinder</b>	KW1 5-pin standard; SC1 5-pin optional Entries packed KA5
<b>Latches</b>	Entrance: 2-3/8" & 2-3/4" adjustable (9073) Passage/Privacy: 2-3/8" & 2-3/4" adj.(9074) Faceplate: 1" x 2-1/4" round corner Bolt: 1/2" throw
<b>Strikes</b>	1-3/4" x 2-1/4" full lip round corner (9103)
<b>Wood Screws</b>	Combination screws that suit both wood or metal door mounting
<b>Door Handing</b>	Non-handed lever

## PRICING

Model	Function	WT/ LB	CTN QTY		US3	US5	US15
500T - AH	Entrance	35 Lbs	20 Pcs	Item No.	AH5103	AH5105	AH5101
				List Price			
501T - AH	Passage	23 Lbs	20 Pcs	Item No.	AH5013	AH5015	AH5011
				List Price			
502T - AH	Privacy	24 Lbs	20 Pcs	Item No.	AH5023	AH5025	AH5021
				List Price			
515 - AH	Dummy	15 Lbs	20 Pcs	Item No.	AH5053	AH5055	AH5051
				List Price			

## FUNCTIONS



THE DELANEY CO.

Copyright © THE DELANEY CO. All rights reserved.