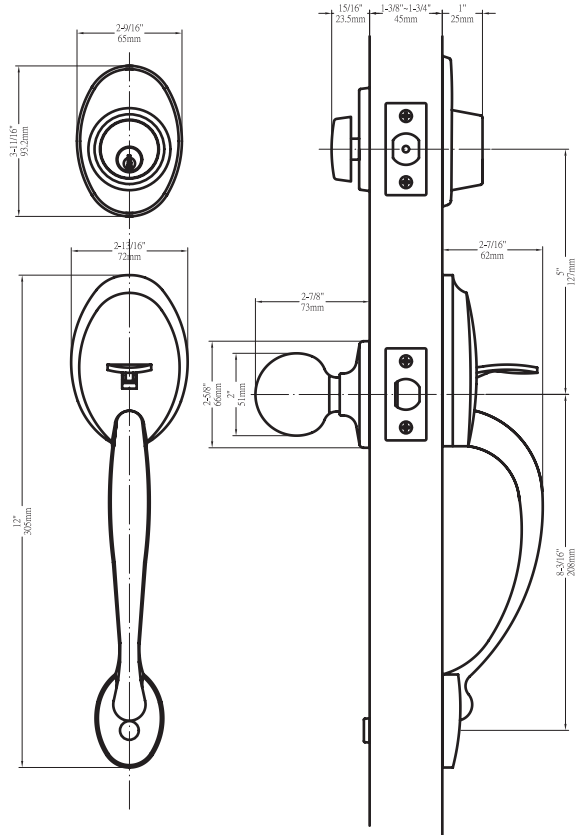


CONCORD

Old World Quality New Age Design



DIMENSIONS



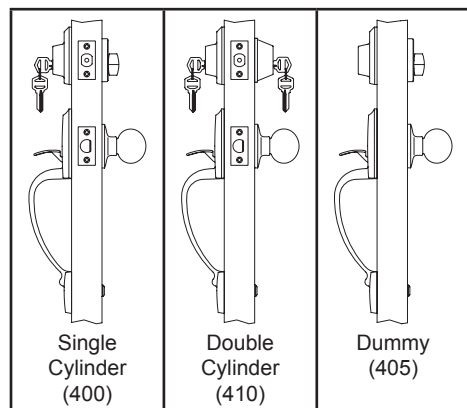
STANDARD SPECIFICATIONS

Door Prep	Deadbolt cross bore: 2-1/8" Handleset cross bore: 2-1/8" Edge bore: 1" Latch face: 1" x 2-1/4" Mounting bore distance (center to center): 5" - 5 1/2" recommended
Backset	Fits 2-3/8" and 2-3/4"
Door Thickness	1-3/8" ~ 1-3/4" door standard
Cylinder	KW1 5-pin standard; SC1 5-pin optional Handlesets packed KD
Latches	Upper: 2-3/8" and 2-3/4" adjustable (9092) Faceplate: 1" x 2-1/4" round corner Bolt: Solid Brass with hardened steel rod, full 1" throw Lower: 2-3/8" and 2-3/4" adjustable (9074) (for lever and knob) Faceplate: 1" x 2-1/4" round corner Bolt: Solid brass 1/2" throw
Strikes	Deadbolt: 2-1/4" full lip round corner (9113 & 9117) Thumbpiece: 2-1/4" full lip round corner (9103)
Wood Screws	Combination screws that suit both wood or metal door mounting
Door Handing	Specify handing when ordering lever as interior option

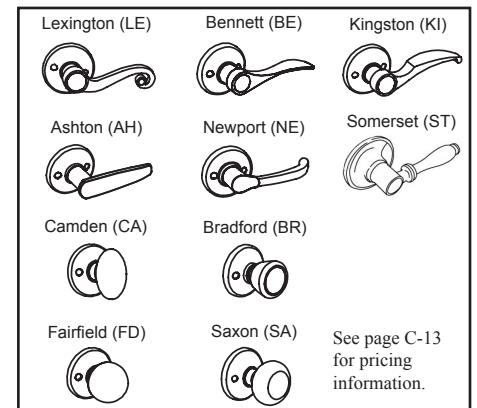
PRICING *Handleset Pricing includes Interior Knob or Lever. Specify when ordering.

Model	Function	WT/CTN	CTN QTY	Lifetime	US3	US5	US15	US15A	US10B	US10BE	Black	
400-CO	Single Cylinder	33 Lbs	10 Pcs	Item No.	KA4009	KA4003	KA4005	KA4001	KA4008	KA4000	KA4007	KA4004
				List Price								
405-CO	Dummy	30 Lbs	10 Pcs	Item No.	KA4059	N/A	KA4055	KA4051	KA4058	KA4050	KA4057	KA4054
				List Price								
410-CO	Double Cylinder	35 Lbs	10 Pcs	Item No.	KA4109	KA4103	KA4105	KA4101	KA4108	KA4100	KA4107	KA4104
				List Price								

FUNCTIONS



INTERIOR OPTIONS



THE DELANEY CO.

Copyright © THE DELANEY CO. All rights reserved.