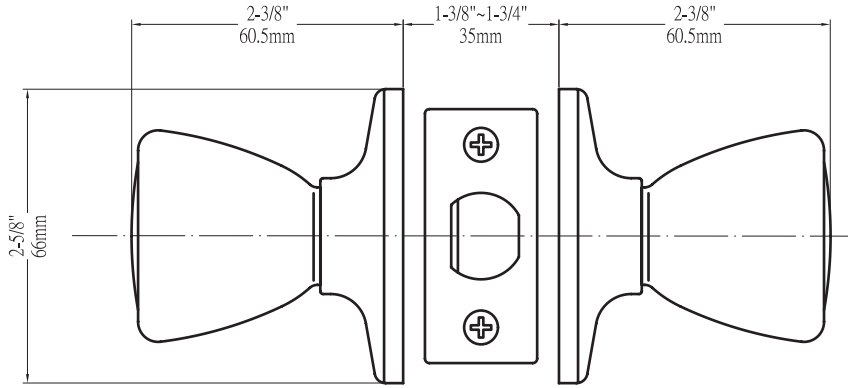


BRAYDEN® (BRADFORD)

Old World Quality New Age Design



DIMENSIONS



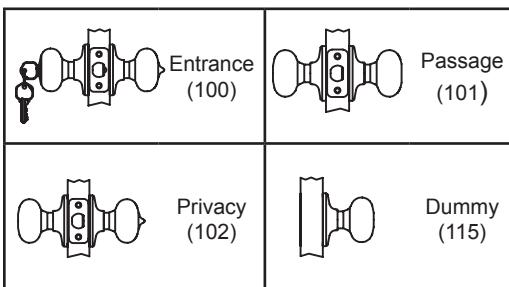
STANDARD SPECIFICATIONS

Door Prep	Cross bore: 2-1/8" Edge bore: 1" Latch face: 1" x 2-1/4"	Latches	Entrance: 2-3/8" & 2-3/4" adjustable (9073) Passage/Privacy: 2-3/8" & 2-3/4" adjustable (9074) Faceplate: 1" x 2-1/4" round corner Bolt: 1/2" throw
Backset	Fits 2-3/8" and 2-3/4"	Strikes	1-3/4" x 2-1/4" full lip round corner (9103)
Door Thickness	1-3/8" ~ 1-3/4" door standard	Wood Screws	Combination screws that suit both wood or metal door mounting
Cylinder	KW1 5-pin standard ; Entries packed KA5	Door Handing	Not Required

PRICING

Model	Function	WT/ LB	CTN QTY	US3 Bright Brass		US15 Satin Nickel	
				Item No.	List Price	Item No.	List Price
100T - BR	Entrance	27 Lbs	20 Pcs	KA1003		KA1001	
101T - BR	Passage	22 Lbs	20 Pcs	KA1013		KA1011	
102T - BR	Privacy	22 Lbs	20 Pcs	KA1023		KA1021	
115 - BR	Dummy	9 Lbs	20 Pcs	KA1053		KA1051	

FUNCTIONS



THE DELANEY CO.

Copyright © THE DELANEY CO. All rights reserved.