

A Division of  
California Faucets

Decorative Trim for Bath & Kitchen  
info@calfaucets.com  
www.calfaucets.com

5231 Argosy Drive  
Huntington Beach, CA 92649

Tel: 714-891-7797  
Fax: 714-891-2478  
Toll Free: 800-822-8855

Fixture:

**SH-01**

Revision date: April 1, 2005

Date: October 1, 2004

Scale: None

Drawn by: William Linares  
william@calfaucets.com

Technical Supervisor: Joe Mainberger



California Faucets®

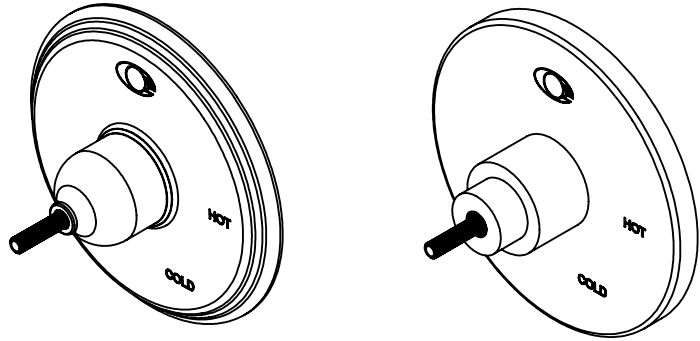
# Pressure Balance™

1/2" Pressure Balance Valve Trim Only

## Features

- Over 30 finishes including 11 PVD finishes
- All brass construction
- Traditional or contemporary escutcheon and screwless faceplate
- Handles to match all California Faucets series  
See [www.calfaucets.com](http://www.calfaucets.com) for complete selection

## TO-PBL-XX



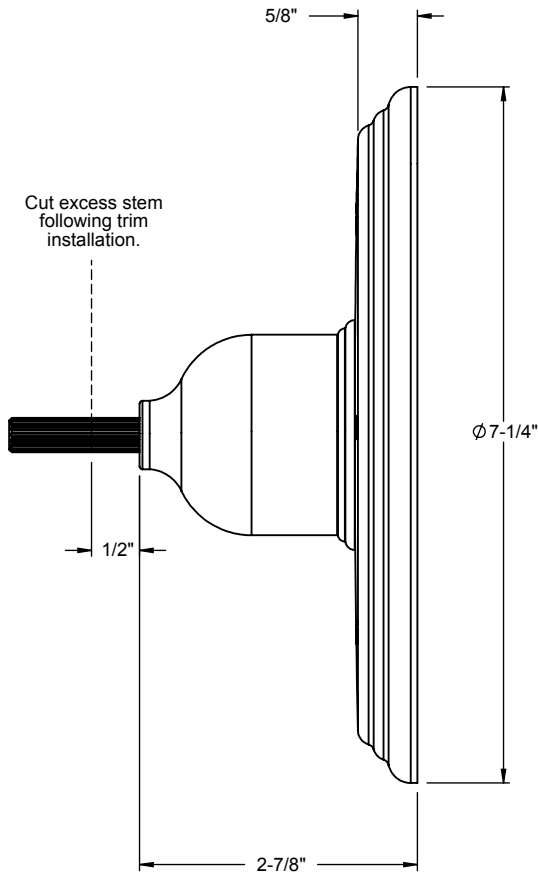
## Codes/Standards Applicable

Specified model meets or exceeds the following:

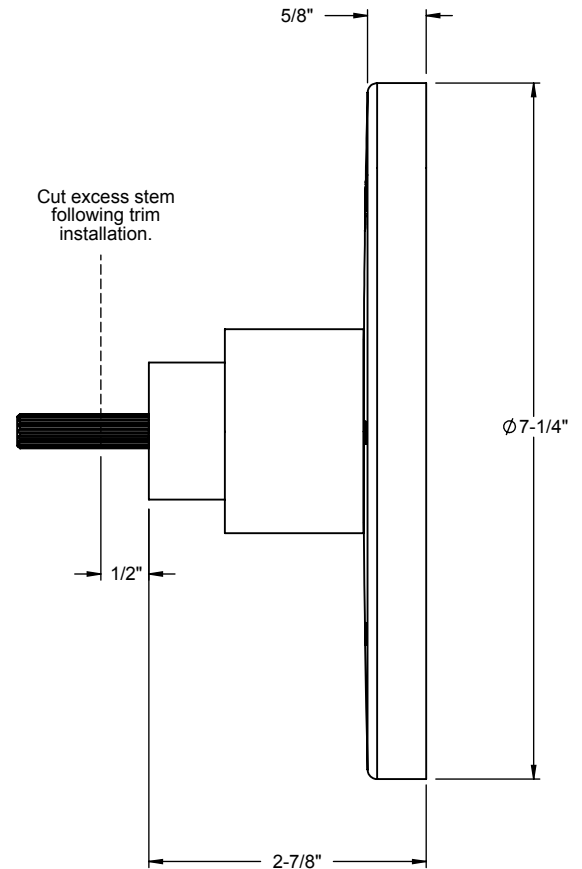
- ASME A112.18.1-2005/CSA B125.1-05
- ASSE 1016
- ADA (with lever handles)
- Listed IAPMO/UPC®

XX = Series Handle

### Traditional



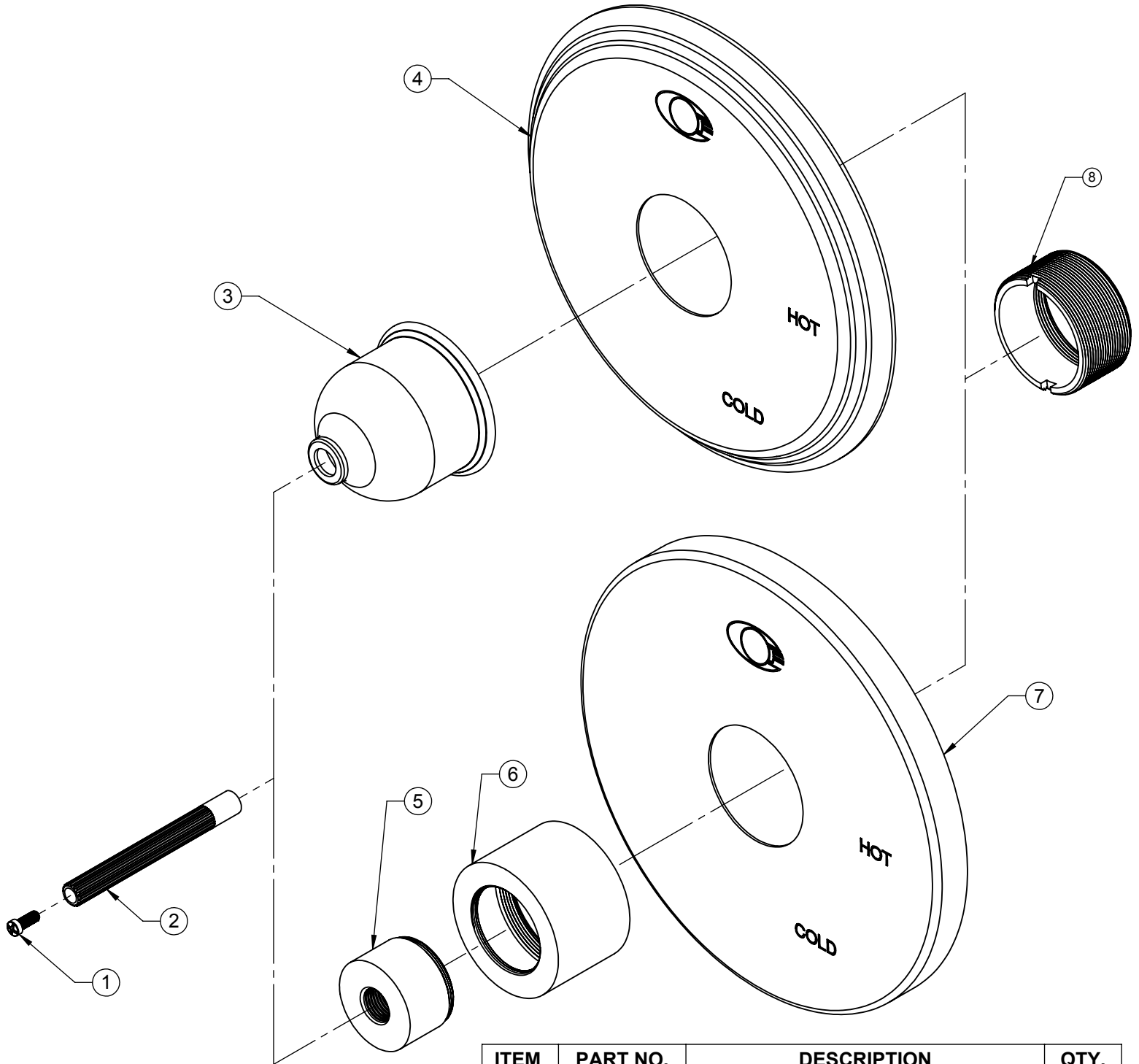
### Contemporary



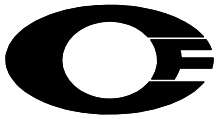
ALL DIMENSIONS SHOWN TO NEAREST 1/16"

# Replacement Parts

## TO-PBL-XX



ITEM	PART NO.	DESCRIPTION	QTY.
1	86078-90	SCREW,PH, M4X.07X10MM	1
2	881290-99	BROACH,16 PT. X 3-1/4"	1
3	10293-ZZ	ESCUTCHEON, TRAD, PBL	1
4	7-100105-ZZ	ASM, TRAD PB PLATE & GASKET	1
5	571380-ZZ	ESCUTCHEON, 57	1
6	10294-ZZ	ESCUTCHEON, CONT, PBL	1
7	7-100106-ZZ	ASM, CONT PB PLATE & GASKET	1
8	10292-98	BUSHING, PBL	1



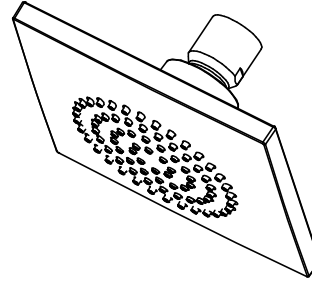
# STYLEFLOW® AIR QUA

California Faucets®

4-3/4" SINGLE FUNCTION CONTEMPORARY SHOWERHEAD

## Features

- 1/2" FIP inlet
- Air induction technology
- Single function showerhead
- Self-cleaning rubber jets
- Solid brass pivot ball, ABS body
- 4-3/4" square finished face
- Replace .FR with desired max flow rate:  
SH-431.25 for 2.5 gpm  
SH-431.20 for 2.0 gpm  
SH-431.15 for 1.5 gpm



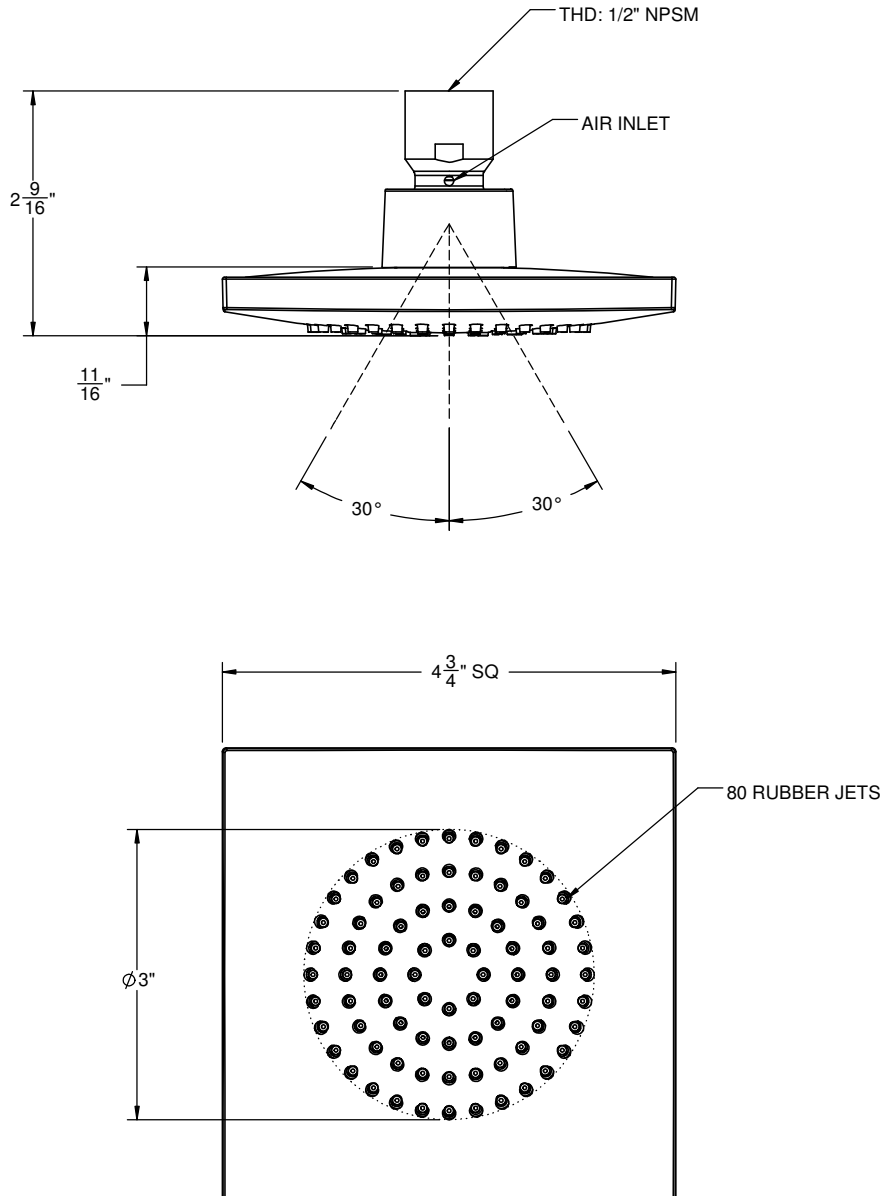
SH-431.25  
SH-431.20  
SH-431.15



## Codes/Standards Applicable

Product meets or exceeds the following:

- ASME A112.18.1/CSA B125.1
- CEC (2.0 and 1.5 gpm)



ALL DIMENSIONS SHOWN TO NEAREST 1/16"