



California Faucets®

Handshower

CONTEMPORARY

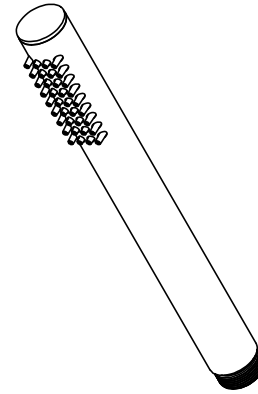
Features

- 1/2" MIP inlet
- Brass construction
- Self-cleaning rubber jets
- Replace .FR with desired max flow rate:
 HS-62.25 for 2.5 gpm
 HS-62.20 for 2.0 gpm

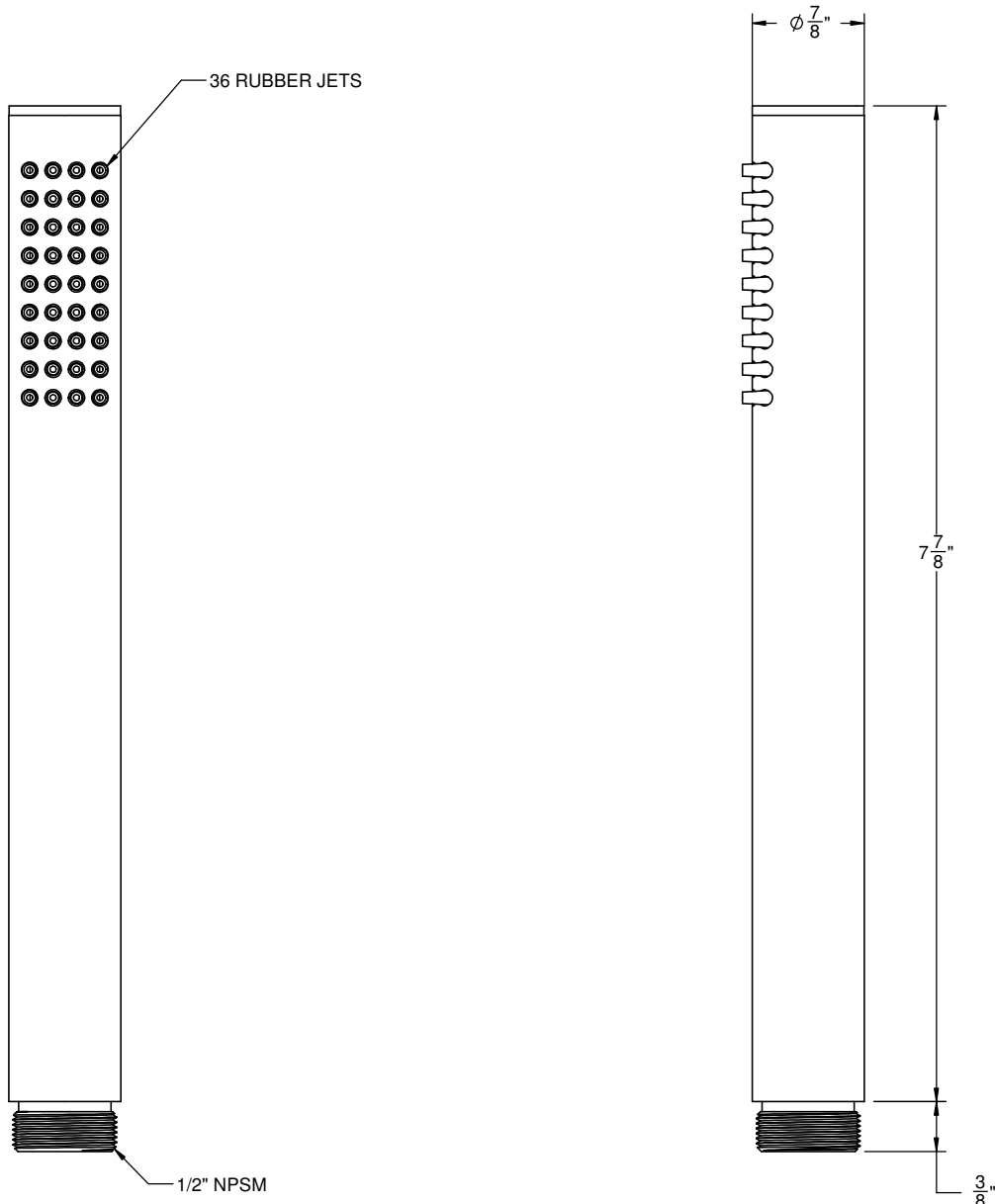
Codes/Standards

Product meets or exceeds the following:

- ASME A112.18.1/CSA B125.1
- CEC (2.0 gpm)



HS-62.25
 HS-62.20
 HS-62
 WE-HS-62



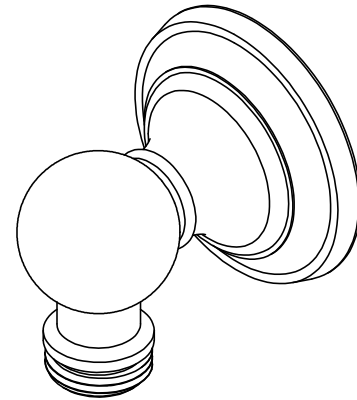
ALL DIMENSIONS SHOWN TO NEAREST 1/16"



Features

- Over 30 finishes including 14 PVD finishes
- Solid brass construction
- 1/2" NPT (female) inlet connection
- 1/2" NPSM (male) outlet connection

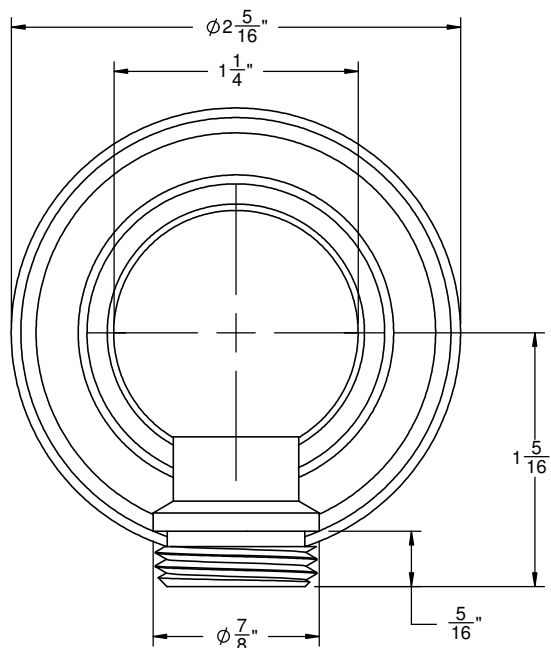
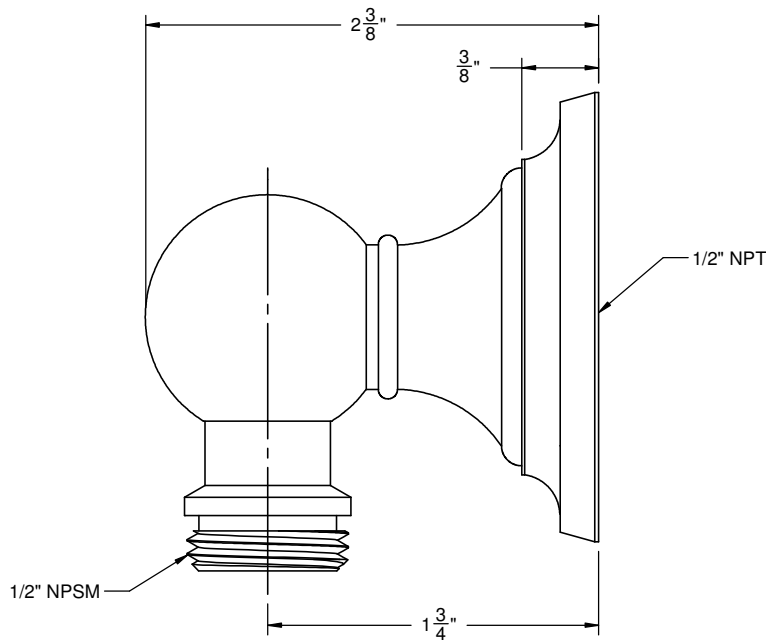
SH-10-48



Codes/Standards Applicable

Meets or exceeds the following at date of manufacture:

- ASME A112.18.1/CSA B125.1



ALL DIMENSIONS SHOWN TO NEAREST 1/16"



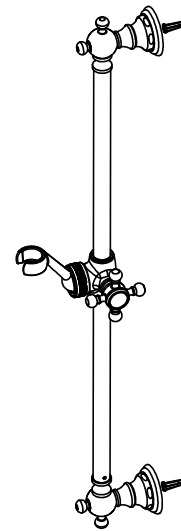
Features

- Over 30 finishes including 11 PVD finishes
- All brass construction
- Matching handle & escutcheon for all California Faucets series
- Bar pivots 180° without loosening slide handle
- Handshower holder slides up and down on bar
- Handshower holder angle is adjustable
- Handshower holder accepts conical end of hose
- Right or left handed based on installation
- Includes all mounting hardware
- See www.calfaucets.com for complete selection

Codes/Standards Applicable

Specified model meets or exceeds the following:

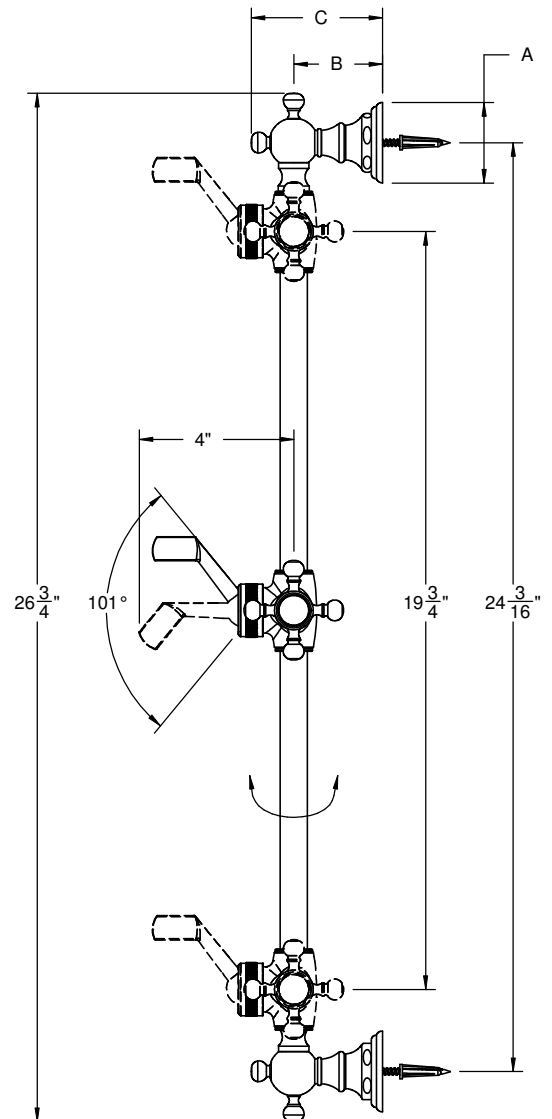
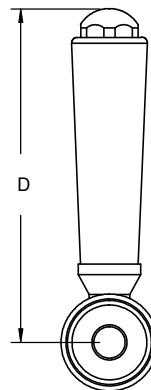
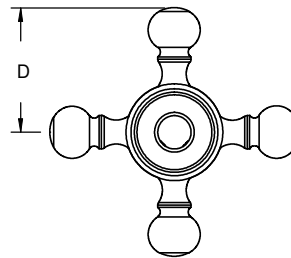
- ASME A112.18.1/CSA B125.1
- ADA (all lever handles)



SB-XX

XX = SERIES HANDLE

TABLE (ALL DIMENSIONS SHOWN IN INCHES)				
SERIES	A	B	C	D
33	2 1/8	2 9/16	3 11/16	3 1/2
34	2 1/8	2 9/16	3 11/16	1 1/8
35	2 1/8	2 9/16	3 11/16	3 7/16
36	2 1/8	2 9/16	3 11/16	3 1/16
38	2 7/8	2 11/16	3 3/4	2 7/8
40	2 13/16	2 5/8	3 3/4	3 1/4
42	2 13/16	2 5/8	3 3/4	2 15/16
46	2 5/16	2 3/8	3 1/2	3 7/16
47	2 5/16	2 3/8	3 1/2	1 3/8
50	2 9/16	2 5/16	3 3/8	2 13/16
51	3 1/4	2 11/16	3 13/16	1 1/16
55	2 13/16	2 5/8	3 3/4	3 5/16
59	2 13/16	2 13/16	3 7/8	3
60	2 1/8	2 5/16	3 7/16	1 5/16
63	2 5/16	2 3/8	3 1/2	1 9/16
64	2 13/16	2 13/16	3 7/8	3 5/16
67	2 1/8	2 5/16	3 7/16	1 3/8
68	2 1/8	2 9/16	3 11/16	3 3/8
69	2 1/8	2 9/16	3 11/16	3 1/2



ALL DIMENSIONS SHOWN TO NEAREST 1/16"



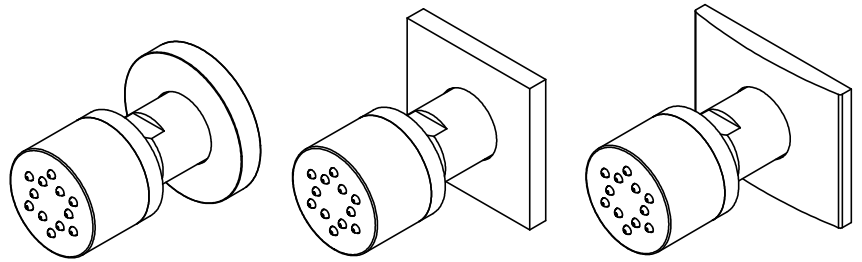
California Faucets®

Body Sprays

RB-02C, RBC-02C & RBR-02C
CONTEMPORARY BODY SPRAY

Features

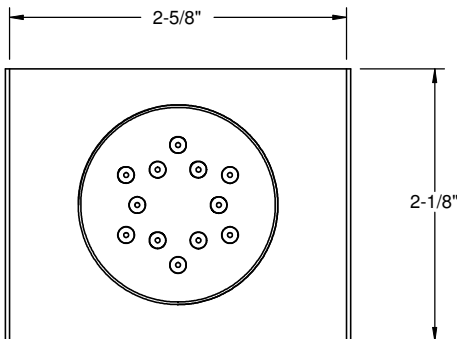
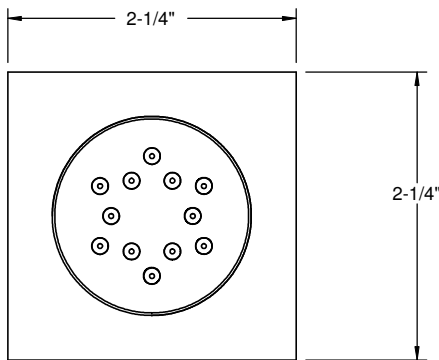
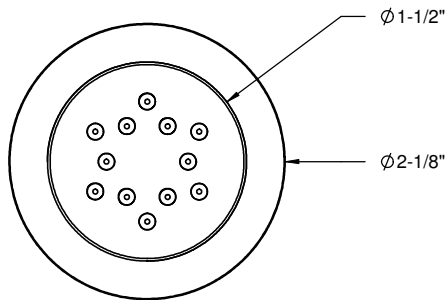
- Over 30 finishes including 11 PVD finishes
- All solid brass construction
- Swivel head
- Self-Cleaning rubber spray jets
- Adjustable wall flange to accommodate varying wall thickness
- 1/2" NPT (female) inlet connection
- 2.5 gpm (8.3 L/m), lower flow rates available upon request



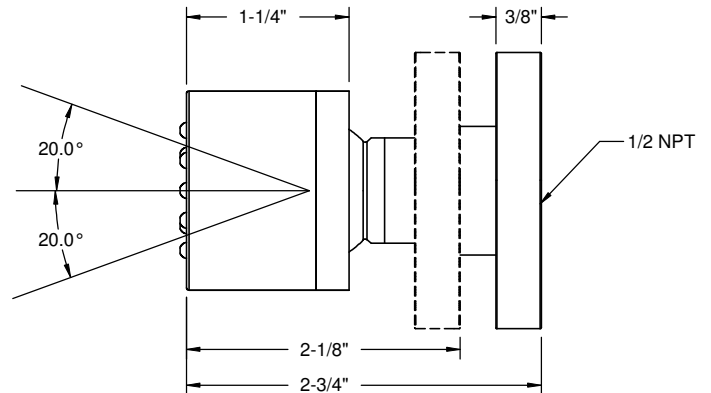
Codes/Standards Applicable

Specified model meets or exceeds the following:

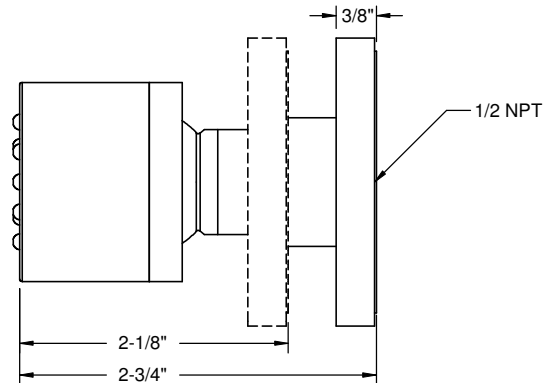
- ASME A112.18.2-2005/CSA B125.2-05



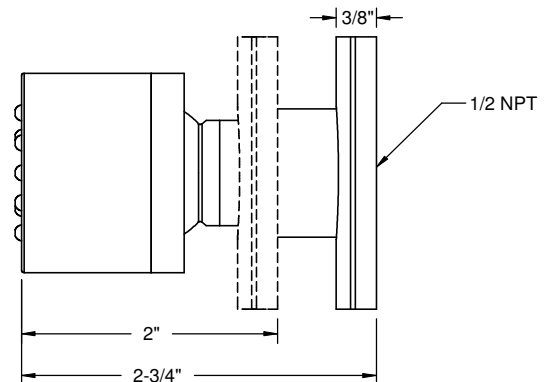
RB-02C



RBC-02C



RBR-02C



Dimensions Shown to Nearest 1/16"



California Faucets®

StyleTherm®

3/4" Thermostatic Trim Only

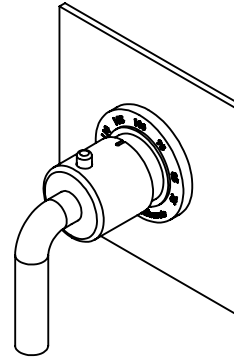
Features

- All brass construction
- Engraved brass temperature ring
- Square flat faceplate
- 100° F safety stop button with manual override
- Handles to match all California Faucets series
- Over 30 finishes including 15 PVD finishes

Codes/Standards Applicable

Specified model meets or exceeds the following:

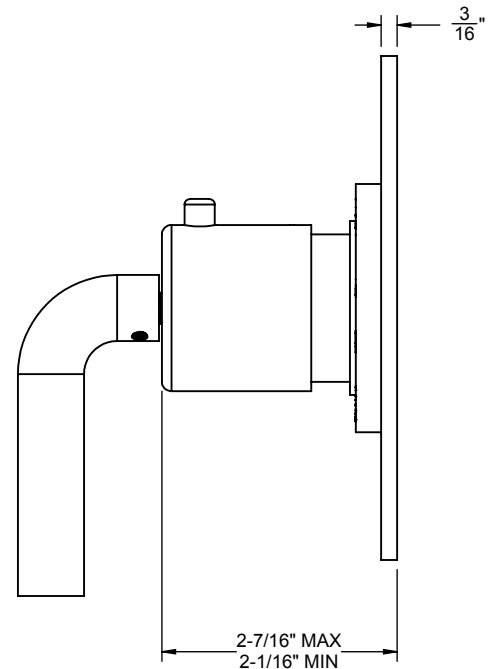
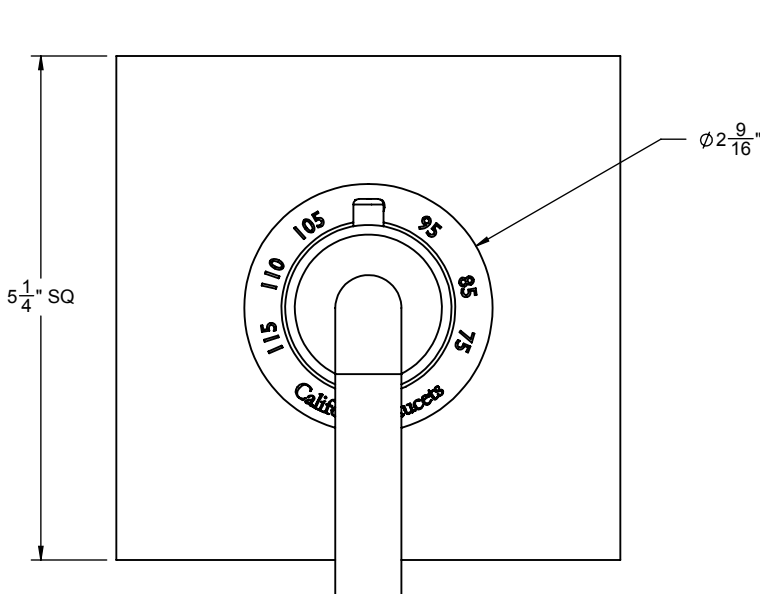
- ASME A112.18.1-2005/CSA B125.1-05
- ASSE 1016
- ADA (with lever handles)



TO-THFN-XX

*TO-THFN-74 SHOWN

XX = Series Handle



ALL DIMENSIONS SHOWN TO NEAREST 1/16"



California Faucets®

RINCON BAY

WALL OR DECK HANDLE TRIM

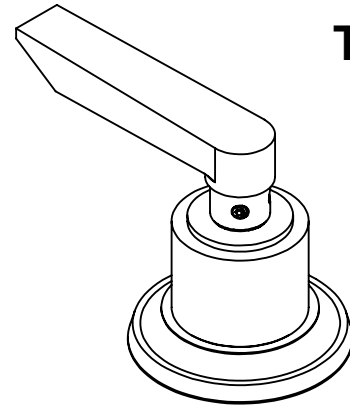
Features

- Over 30 finishes including 14 PVD finishes
- Solid brass construction
- Rough valve sold separately (50-W-R, 75-W-R, WDV-R, DDV-R)
- For additional product offerings, see www.californiafaucets.com

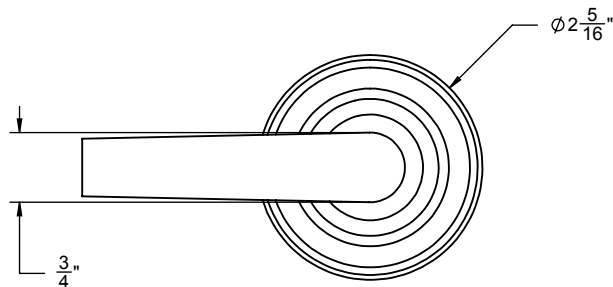
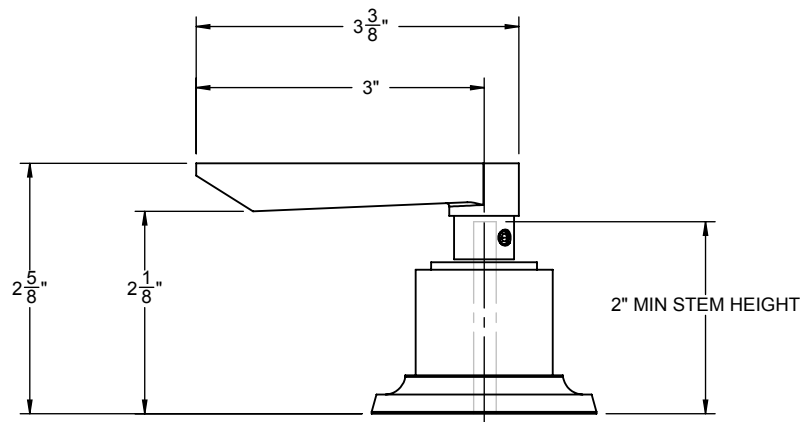
Codes/Standards Applicable

Meets or exceeds the following at date of manufacture:

- ASME A112.18.1/CSA B125.1



TO-45-W



ALL DIMENSIONS SHOWN TO NEAREST 1/16"



California Faucets®

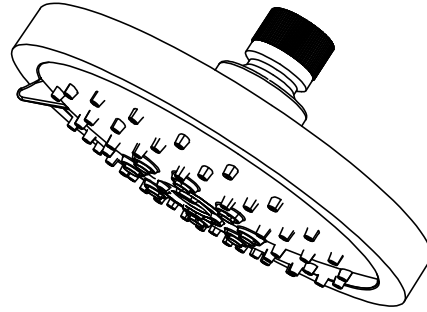
SHOWERHEAD

5-5/8" MULTI-FUNCTION CONTEMPORARY

Features

- 1/2" FIP inlet
- 3 function: rain, air & massage
- Self-cleaning rubber jets
- Solid brass pivot ball & body
- 5-5/8" diameter, gray face
- Over 30 finishes including 15 PVD finishes
- Replace .FR with desired max flow rate:
 - SH-083.25 for 2.5 gpm
 - SH-083.20 for 2.0 gpm
 - SH-083.18 for 1.8 gpm

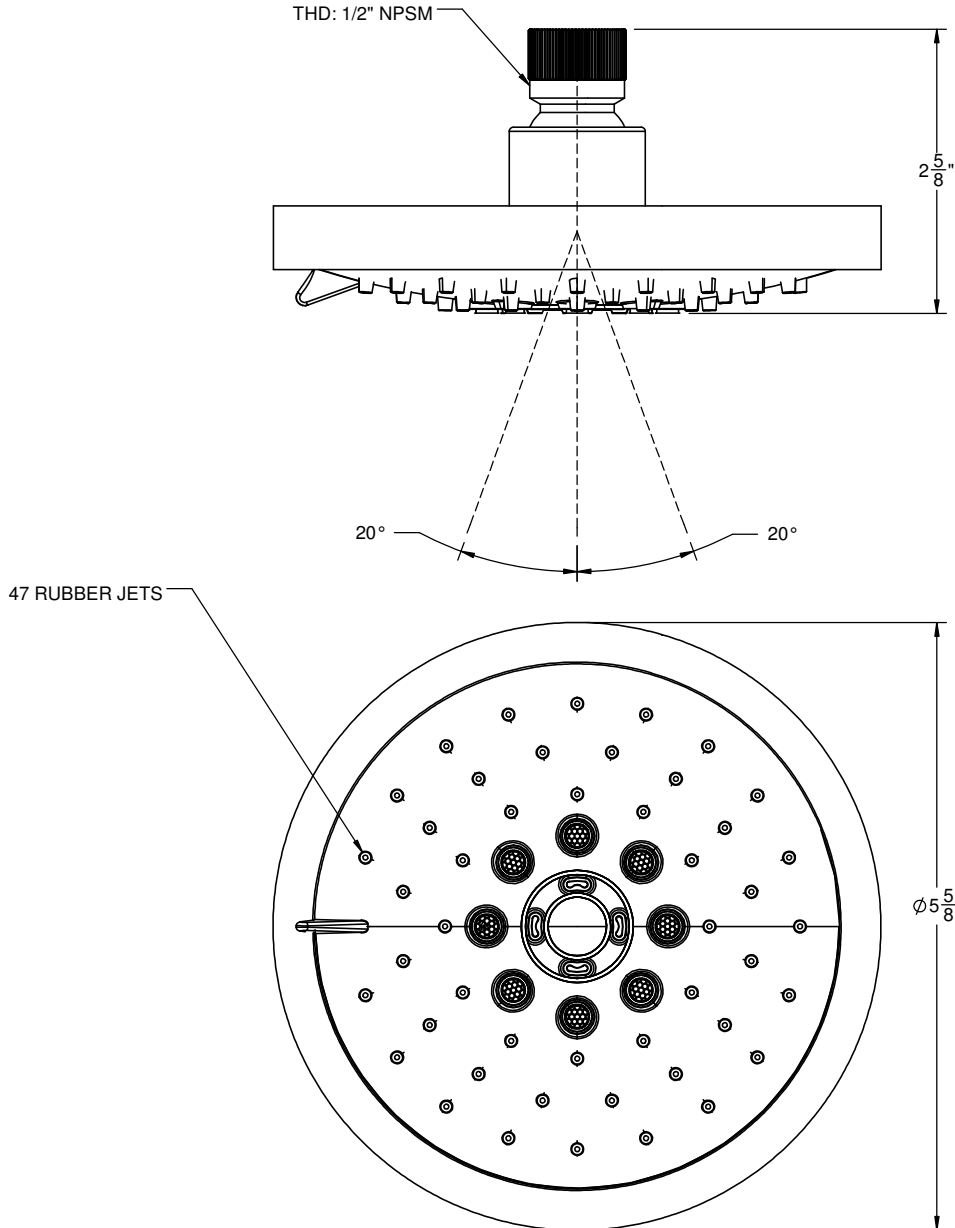
SH-083.25
SH-083.20
SH-083.18



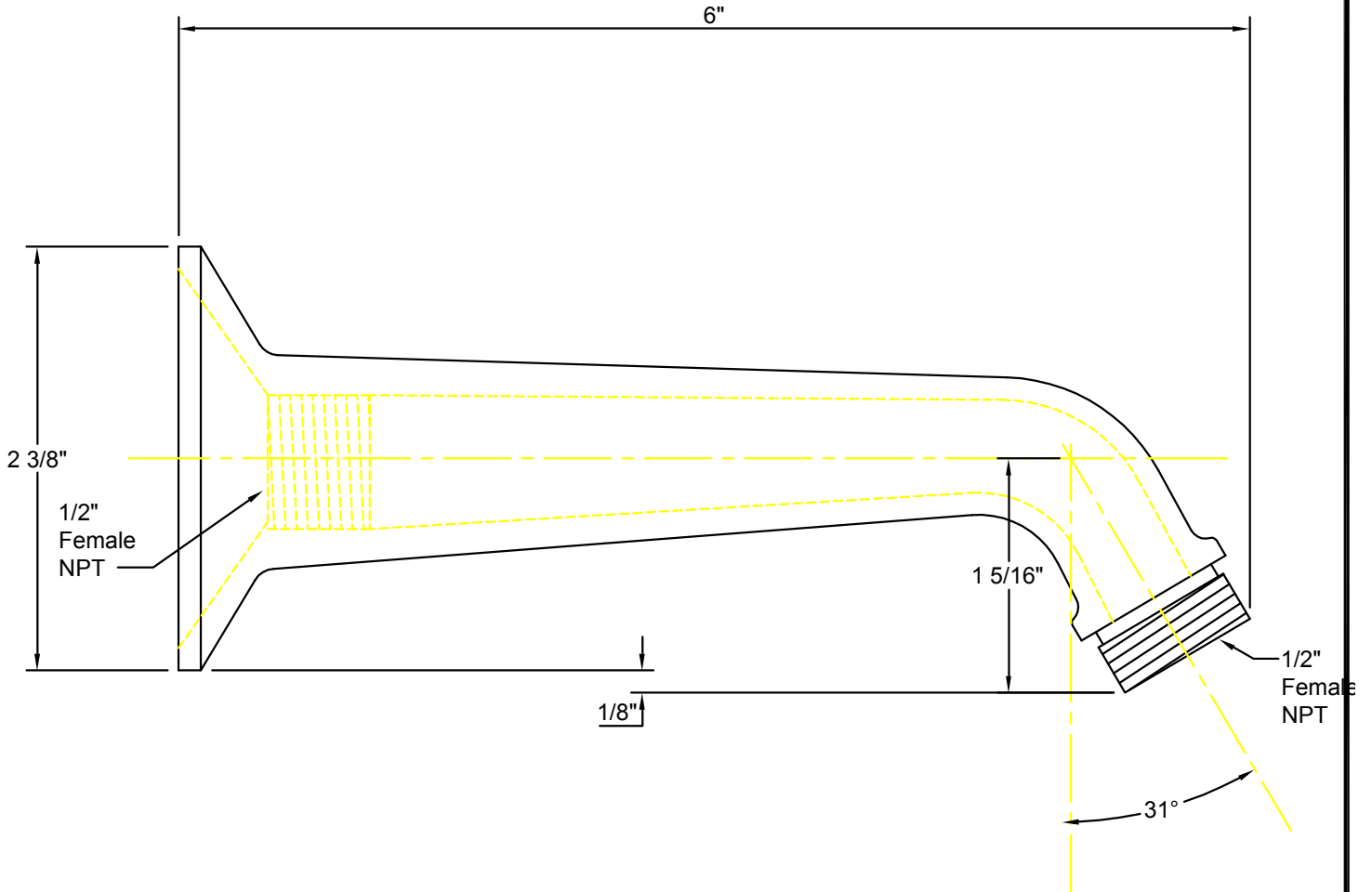
Codes/Standards

Product meets or exceeds the following:

- ASME A112.18.1/CSA B125.1
- CEC (1.8 gpm)
- DOE (2.5, 2.0, & 1.8 gpm)
- Commonwealth of MA
- EPA WaterSense Showerhead (2.0 gpm)



IMPORTANT:
All dimensions are + or -




California Faucets®
info@calfaucets.com
www.calfaucets.com

FIXTURE: One Piece 6" Shower Arm	
MODEL #: SH-01.6	
DWG NO:	REV:

REVISIONS	REV DATE	STARTING DATE:
		APPRVD DATE:
		APPRVD BY:
		SCALE: None
		DRAWN BY: William Linares william@calfaucets.com