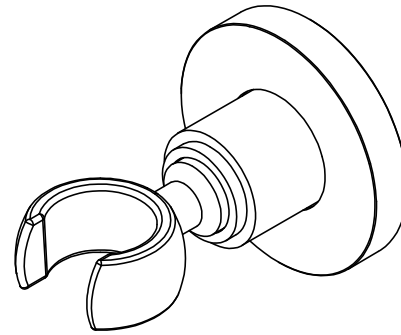




Features

- Over 30 finishes including 14 PVD finishes
- Solid brass construction
- All mounting hardware included
- Accepts most conical handshower hoses

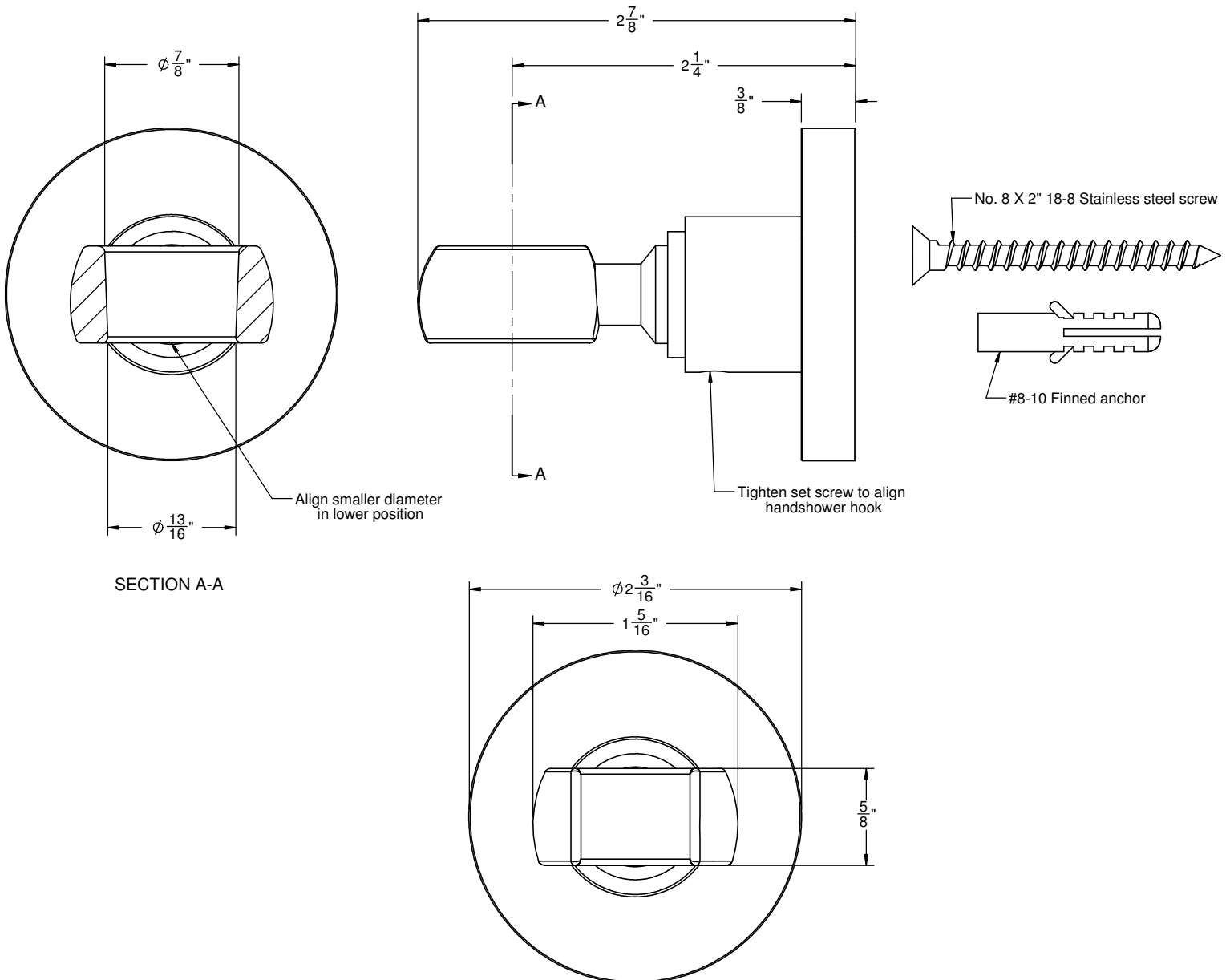
SH-20-65



Codes/Standards Applicable

Meets or exceeds the following at date of manufacture:

- ASME A112.18.1/CSA B125.1





California Faucets®

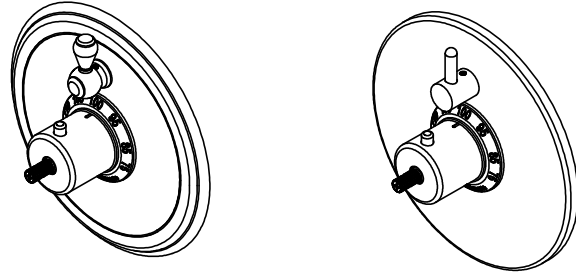
StyleTherm®

1/2" Thermostatic Valve w/ Single Volume Control Trim Only

Features

- Over 30 finishes including 12 PVD finishes
 - All brass construction
 - Contemporary or traditional faceplate
 - Engraved brass temperature ring
 - 100°F safety stop button with manual override
 - Contemporary or traditional volume control handle
 - Handles to match all California Faucets series
- See www.calfaucets.com for complete selection

TO-TH1L-XX



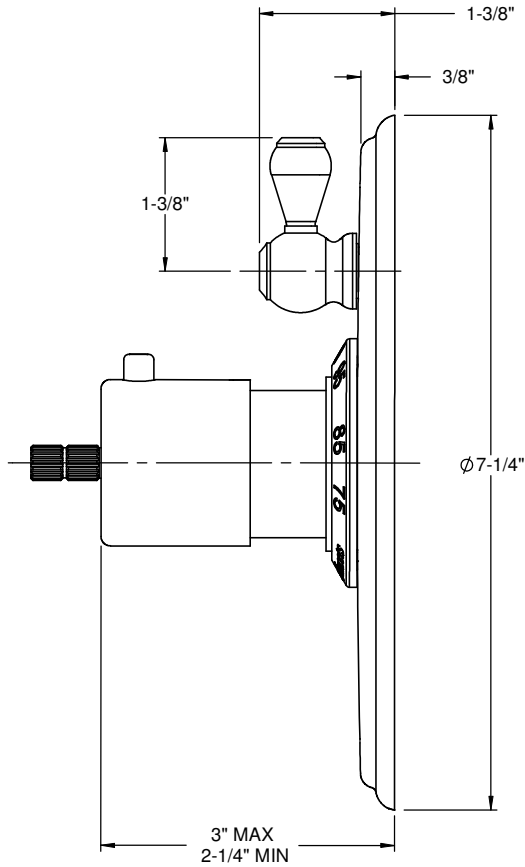
Codes/Standards Applicable

Specified model meets or exceeds the following:

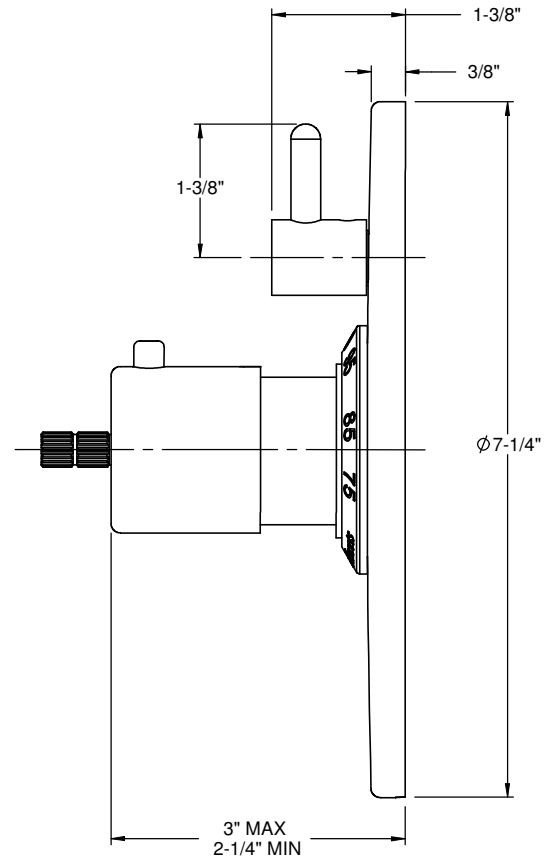
- ASME A112.18.1-2005/CSA B125.1-05
- ASSE 1016
- ADA (with lever handles)
- Listed IAPMO/C UPC®

XX = Series Handle

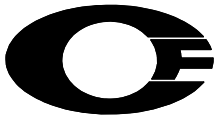
Traditional Faceplate



Contemporary Faceplate



ALL DIMENSIONS SHOWN TO NEAREST 1/16"



California Faucets®

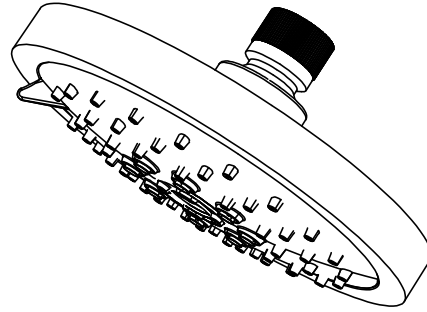
SHOWERHEAD

5-5/8" MULTI-FUNCTION CONTEMPORARY

Features

- 1/2" FIP inlet
- 3 function: rain, air & massage
- Self-cleaning rubber jets
- Solid brass pivot ball & body
- 5-5/8" diameter, gray face
- Over 30 finishes including 15 PVD finishes
- Replace .FR with desired max flow rate:
 - SH-083.25 for 2.5 gpm
 - SH-083.20 for 2.0 gpm
 - SH-083.18 for 1.8 gpm

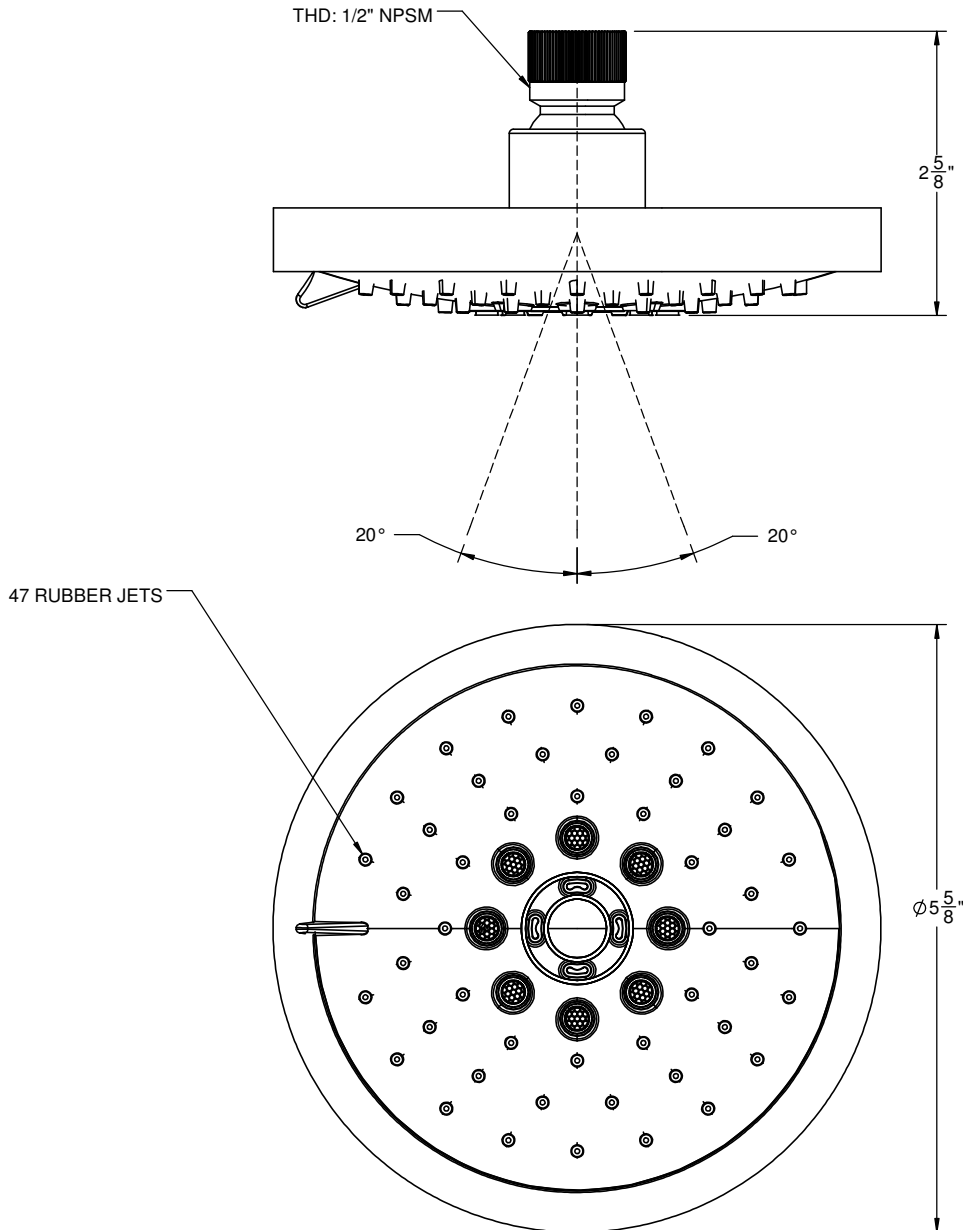
SH-083.25
SH-083.20
SH-083.18



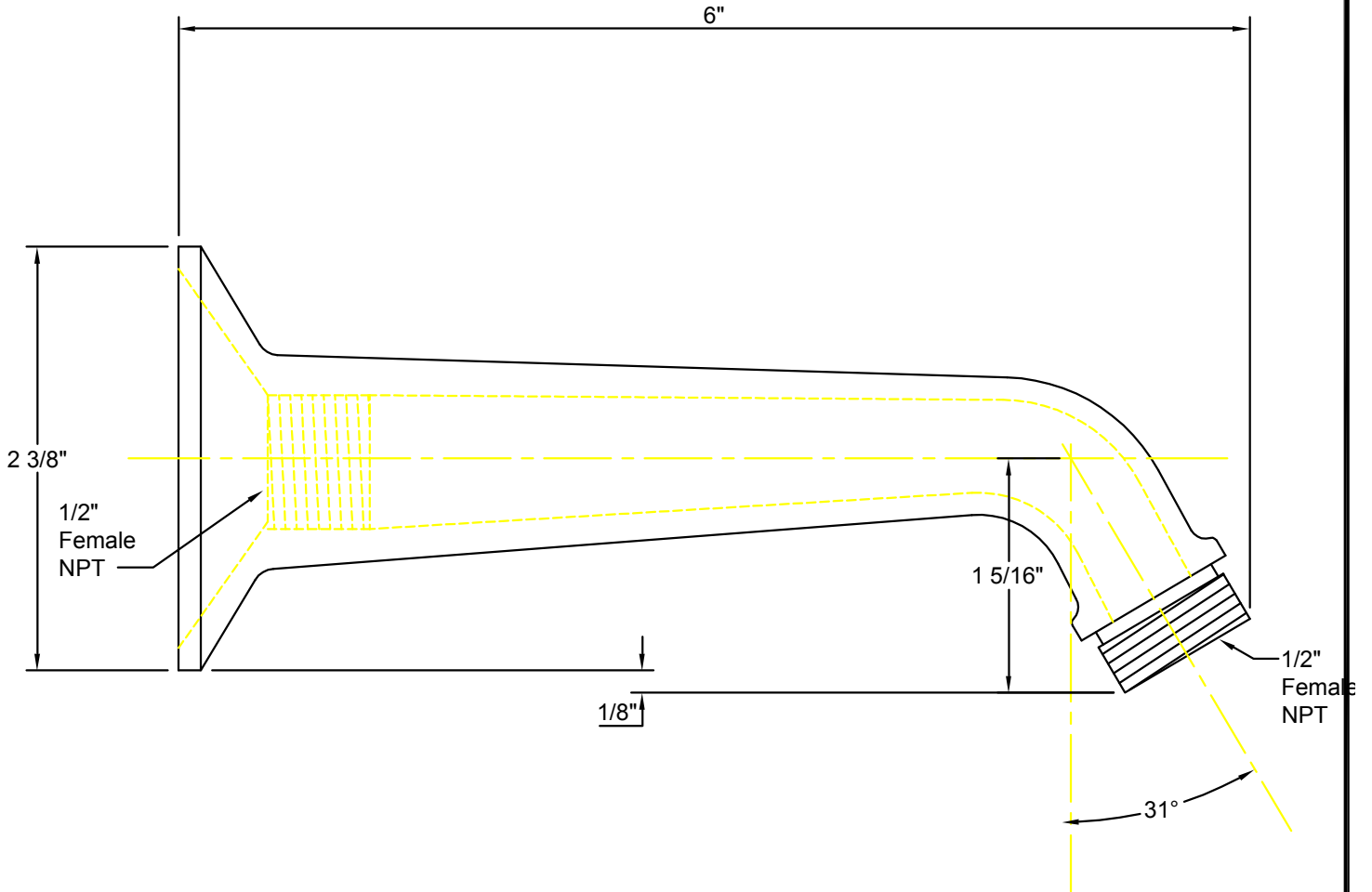
Codes/Standards

Product meets or exceeds the following:

- ASME A112.18.1/CSA B125.1
- CEC (1.8 gpm)
- DOE (2.5, 2.0, & 1.8 gpm)
- Commonwealth of MA
- EPA WaterSense Showerhead (2.0 gpm)



IMPORTANT:
All dimensions are + or -




California Faucets[®]
info@calfaucets.com
www.calfaucets.com

FIXTURE: One Piece 6" Shower Arm	
MODEL #: SH-01.6	
DWG NO:	REV:

REVISIONS	REV DATE	STARTING DATE:
		APPRVD DATE:
		APPRVD BY:
		SCALE: None
		DRAWN BY: William Linares william@calfaucets.com



California Faucets®

Handshower

CONTEMPORARY

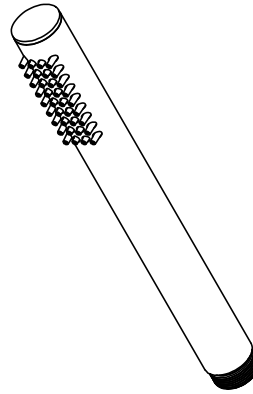
Features

- 1/2" MIP inlet
- Brass construction
- Self-cleaning rubber jets
- Replace .FR with desired max flow rate:
HS-62.25 for 2.5 gpm
HS-62.20 for 2.0 gpm

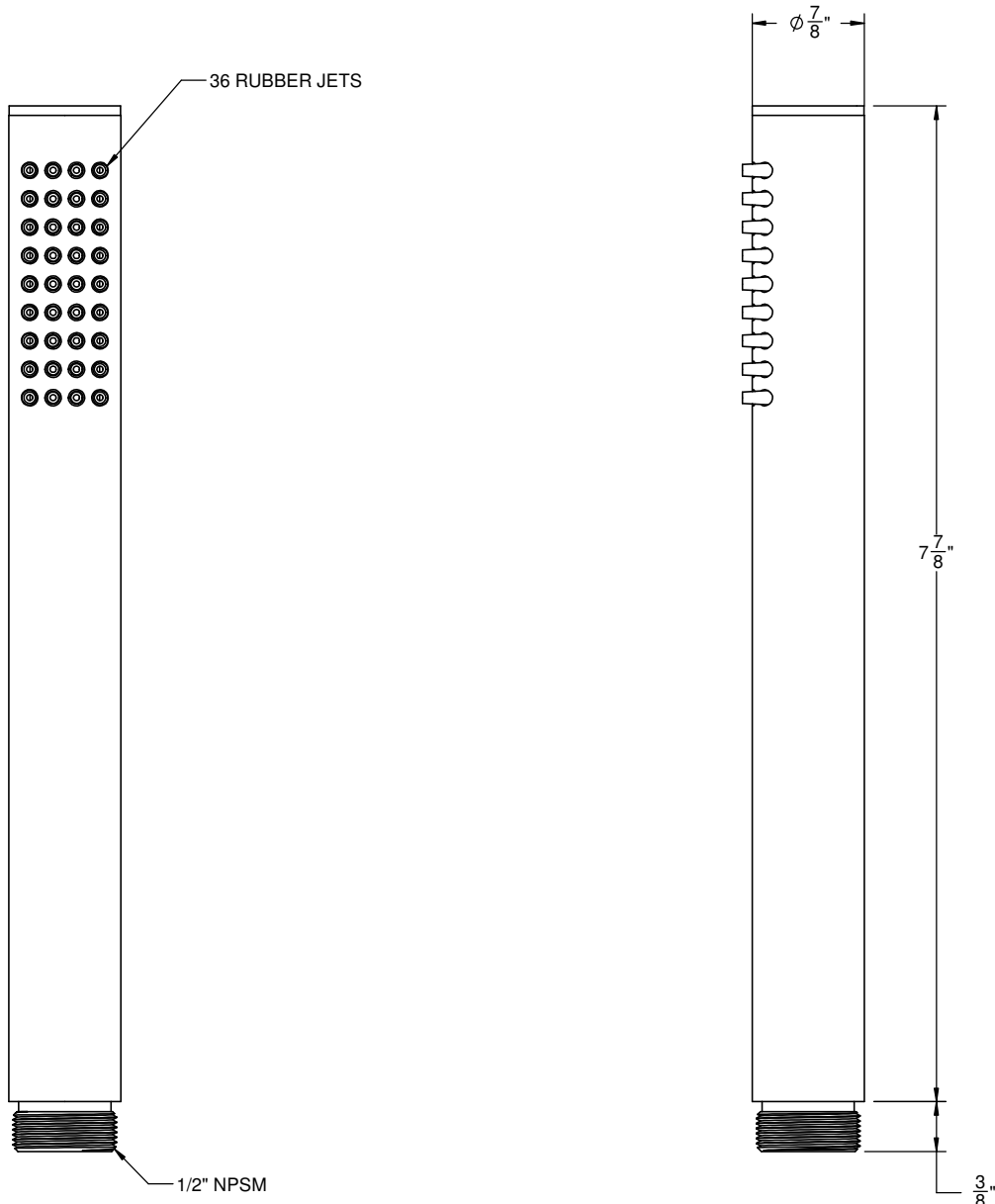
Codes/Standards

Product meets or exceeds the following:

- ASME A112.18.1/CSA B125.1
- CEC (2.0 gpm)



HS-62.25
 HS-62.20
 HS-62
 WE-HS-62



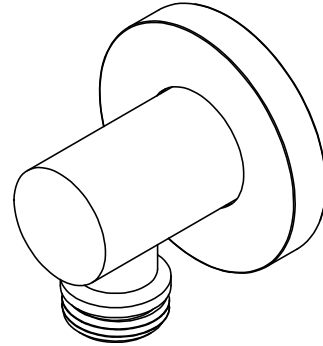
ALL DIMENSIONS SHOWN TO NEAREST 1/16"



Features

- Over 30 finishes including 14 PVD finishes
- Solid brass construction
- 1/2" NPT (female) inlet connection
- 1/2" NPSM (male) outlet connection

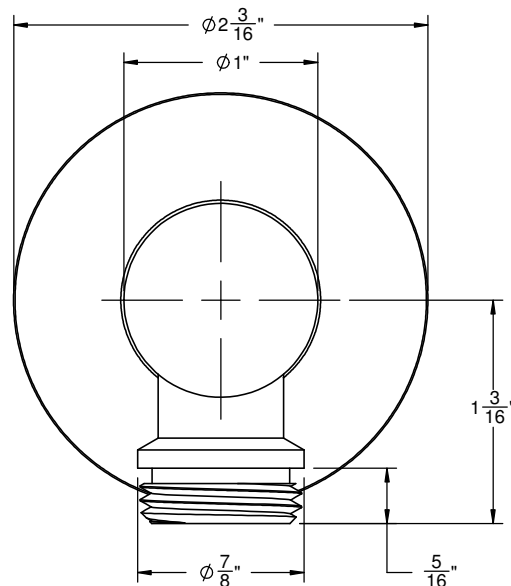
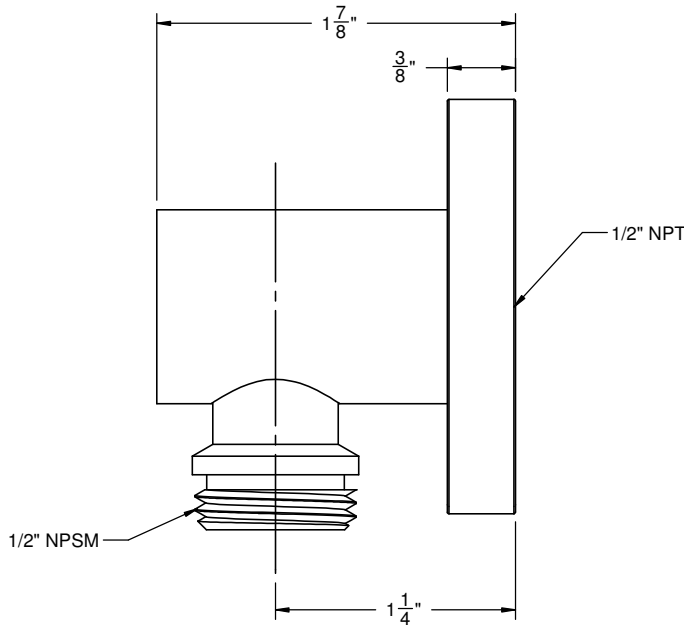
SH-10-65



Codes/Standards Applicable

Meets or exceeds the following at date of manufacture:

- ASME A112.18.1/CSA B125.1



ALL DIMENSIONS SHOWN TO NEAREST 1/16"