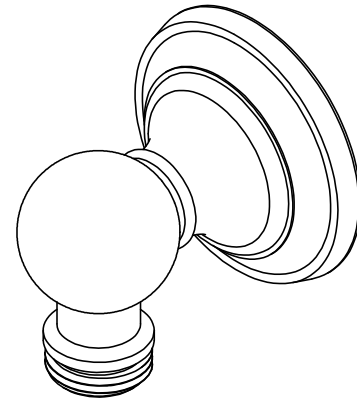




### Features

- Over 30 finishes including 14 PVD finishes
- Solid brass construction
- 1/2" NPT (female) inlet connection
- 1/2" NPSM (male) outlet connection

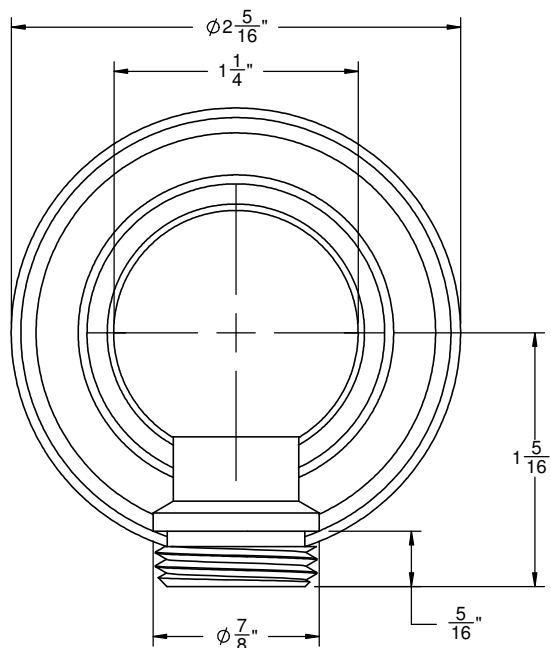
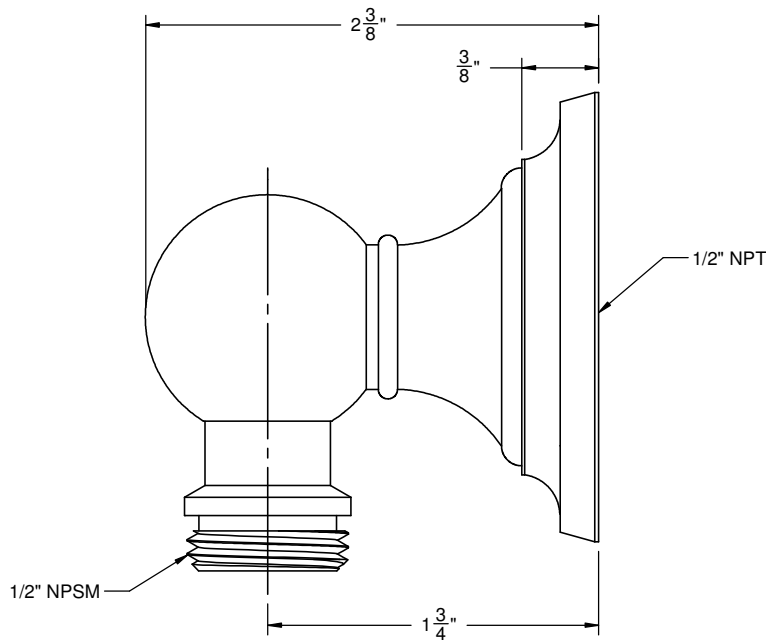
### SH-10-48



### Codes/Standards Applicable

Meets or exceeds the following at date of manufacture:

- ASME A112.18.1/CSA B125.1



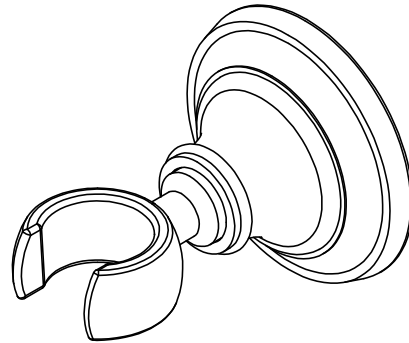
ALL DIMENSIONS SHOWN TO NEAREST 1/16"



### Features

- Over 30 finishes including 14 PVD finishes
- Solid brass construction
- All mounting hardware included
- Accepts most conical handshower hoses

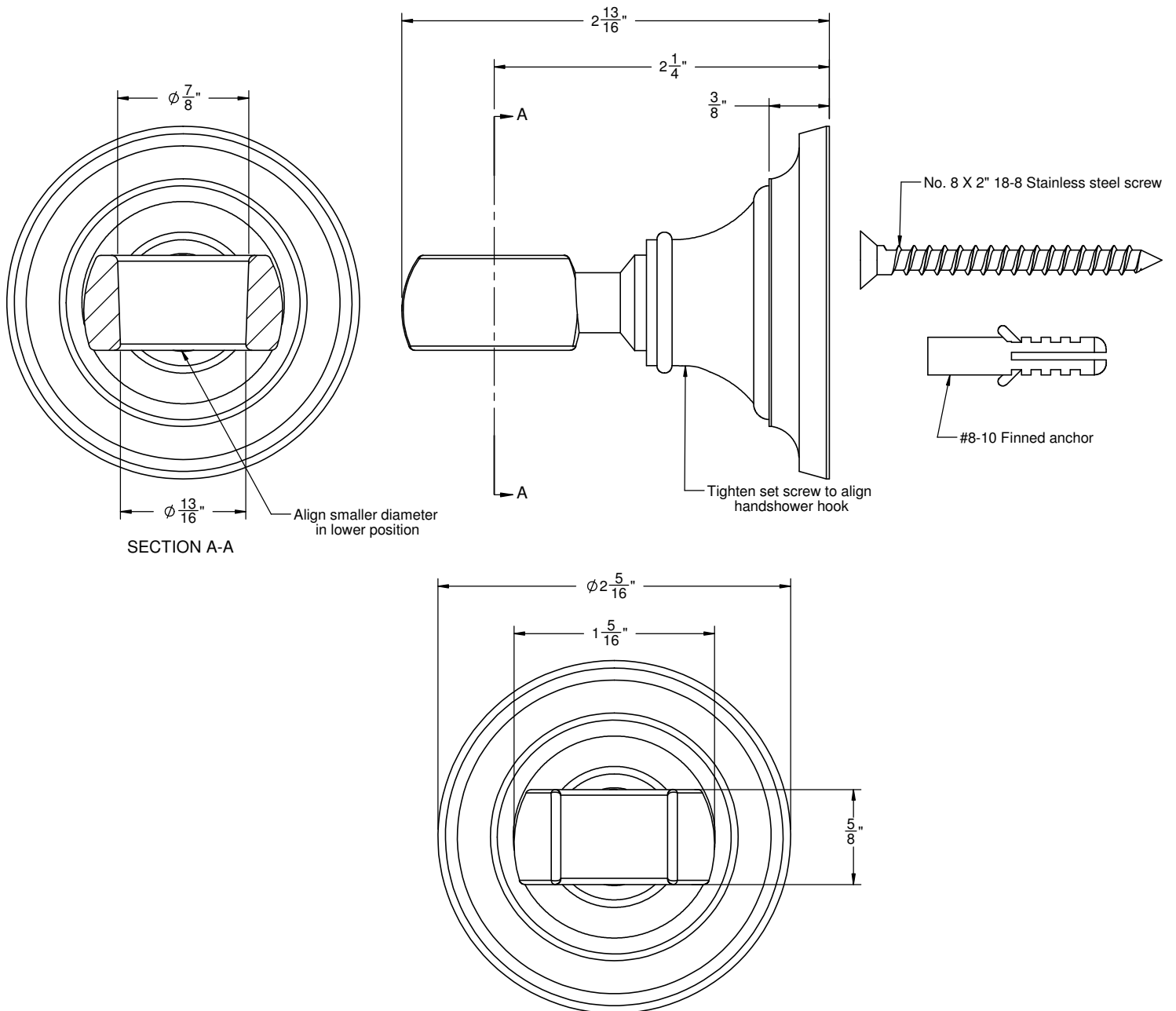
### SH-20-48



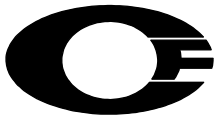
### Codes/Standards Applicable

Meets or exceeds the following at date of manufacture:

- ASME A112.18.1/CSA B125.1



ALL DIMENSIONS SHOWN TO NEAREST 1/16"



California Faucets®

# StyleTherm®

## 1/2" Thermostatic w/ single volume control Trim Only

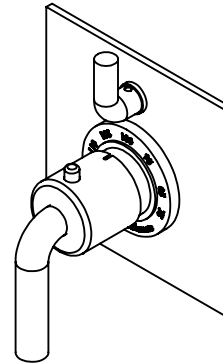
### Features

- All brass construction
- Engraved brass temperature ring
- Square flat faceplate
- 100° F safety stop button with manual override
- Handles to match all California Faucets series
- Over 30 finishes including 15 PVD finishes

### Codes/Standards Applicable

Specified model meets or exceeds the following:

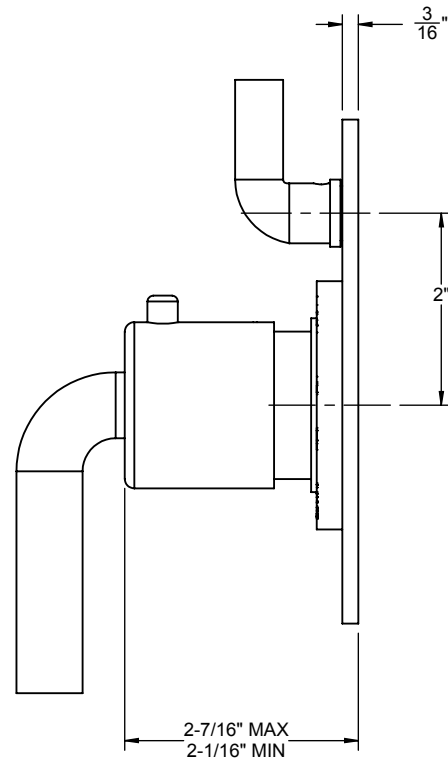
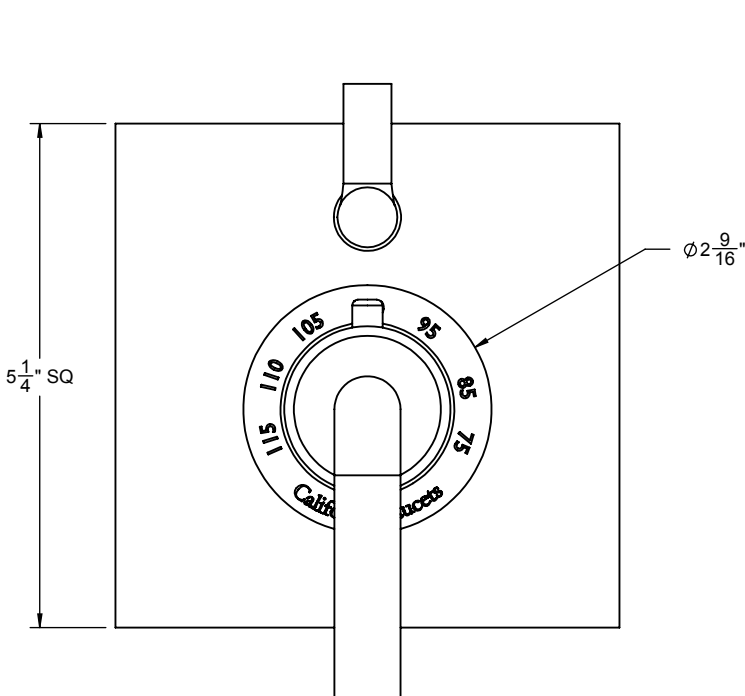
- ASME A112.18.1-2005/CSA B125.1-05
- ASSE 1016
- ADA (with lever handles)



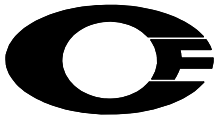
### TO-THF1L-XX

\*TO-THF1L-74 SHOWN

### XX = Series Handle



ALL DIMENSIONS SHOWN TO NEAREST 1/16"



California Faucets®

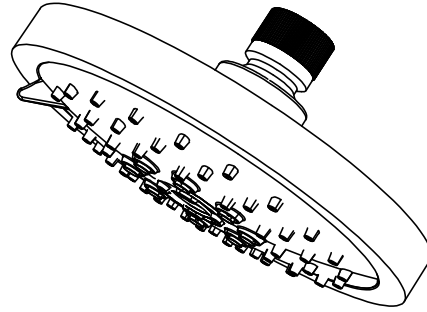
# SHOWERHEAD

5-5/8" MULTI-FUNCTION CONTEMPORARY

## Features

- 1/2" FIP inlet
- 3 function: rain, air & massage
- Self-cleaning rubber jets
- Solid brass pivot ball & body
- 5-5/8" diameter, gray face
- Over 30 finishes including 15 PVD finishes
- Replace .FR with desired max flow rate:
  - SH-083.25 for 2.5 gpm
  - SH-083.20 for 2.0 gpm
  - SH-083.18 for 1.8 gpm

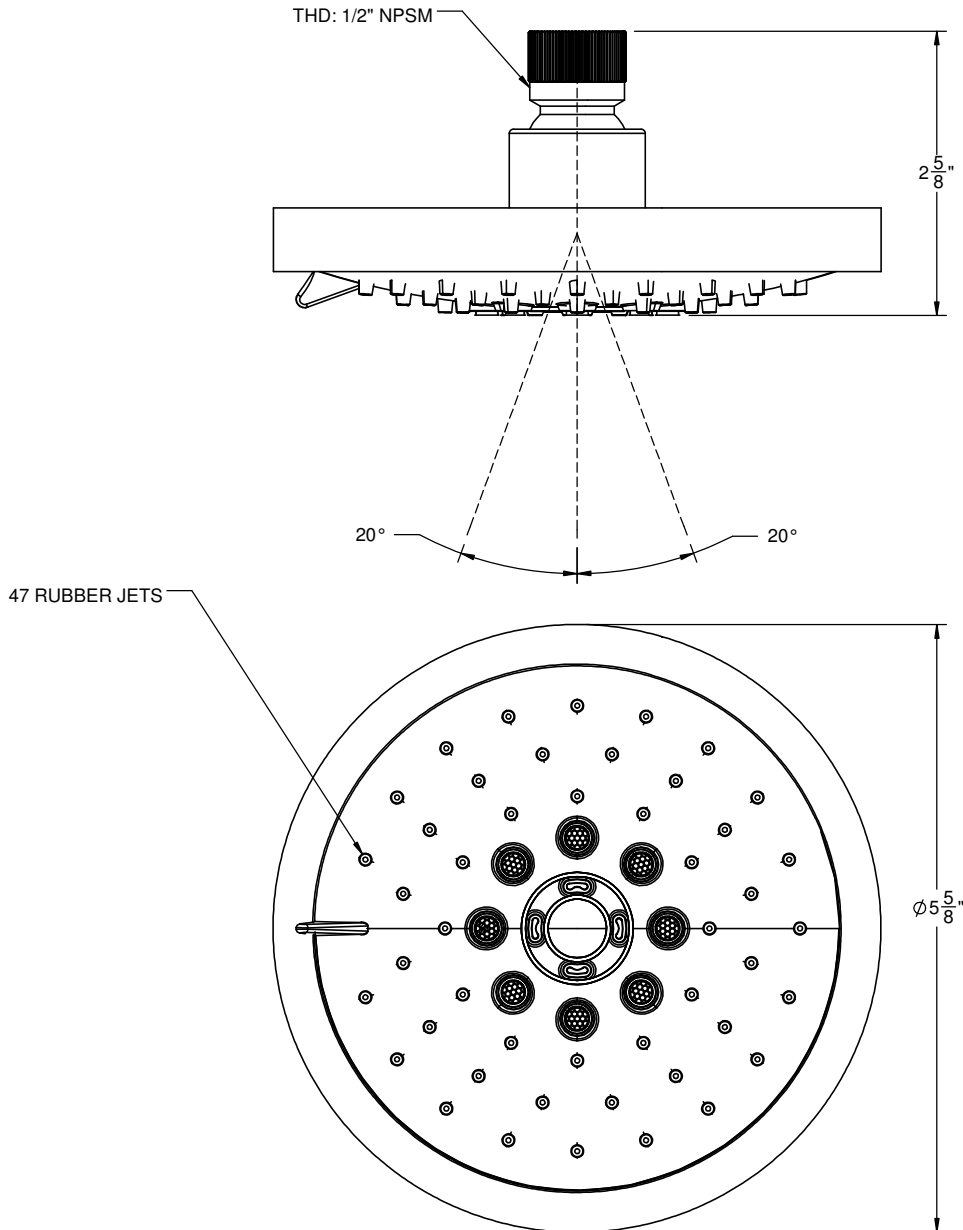
SH-083.25  
SH-083.20  
SH-083.18



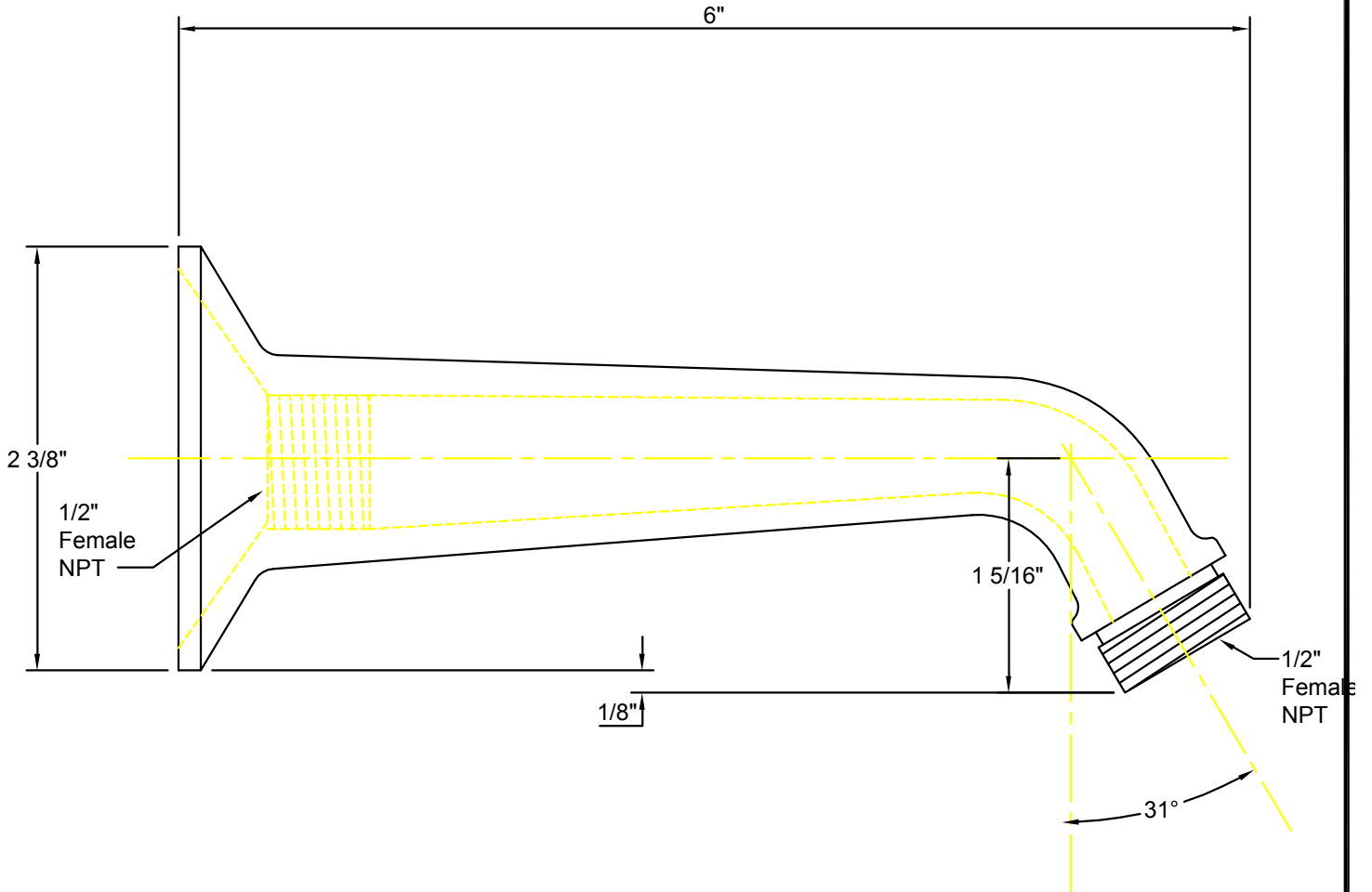
## Codes/Standards

Product meets or exceeds the following:

- ASME A112.18.1/CSA B125.1
- CEC (1.8 gpm)
- DOE (2.5, 2.0, & 1.8 gpm)
- Commonwealth of MA
- EPA WaterSense Showerhead (2.0 gpm)



**IMPORTANT:**  
All dimensions are + or -



  
**California Faucets®**  
info@calfaucets.com  
www.calfaucets.com

**FIXTURE:**  
**One Piece 6" Shower Arm**

**MODEL #:** SH-01.6

**DWG NO:** .

**REV:**

REVISIONS	REV DATE	STARTING DATE:
		APPRVD DATE:
		APPRVD BY:
		SCALE: None
		DRAWN BY: William Linares william@calfaucets.com



California Faucets®

# Handshower

CONTEMPORARY

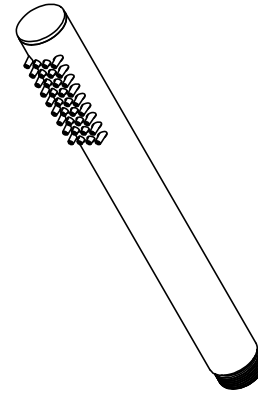
## Features

- 1/2" MIP inlet
- Brass construction
- Self-cleaning rubber jets
- Replace .FR with desired max flow rate:  
     HS-62.25 for 2.5 gpm  
     HS-62.20 for 2.0 gpm

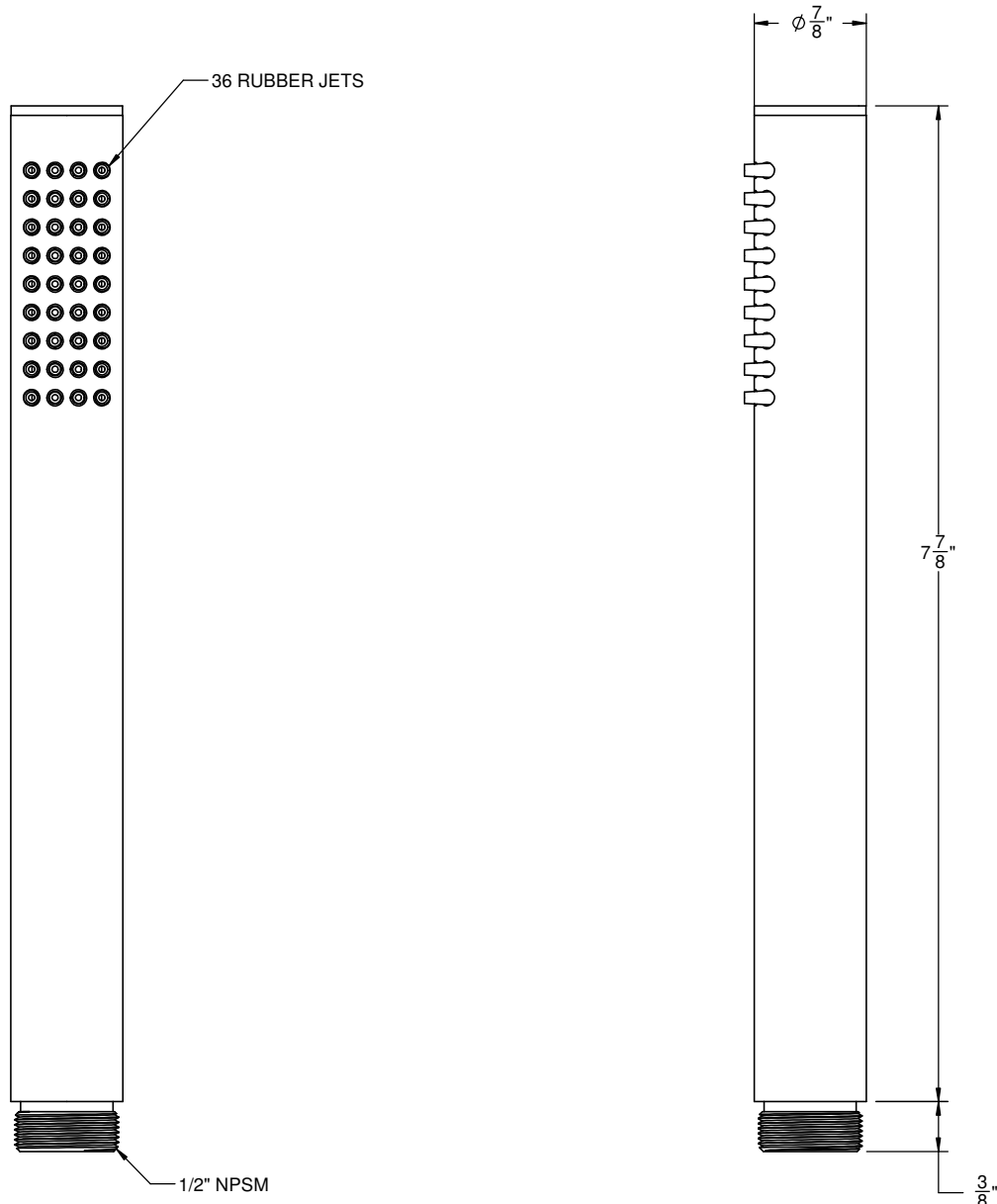
## Codes/Standards

Product meets or exceeds the following:

- ASME A112.18.1/CSA B125.1
- CEC (2.0 gpm)



HS-62.25  
 HS-62.20  
 HS-62  
 WE-HS-62



ALL DIMENSIONS SHOWN TO NEAREST 1/16"