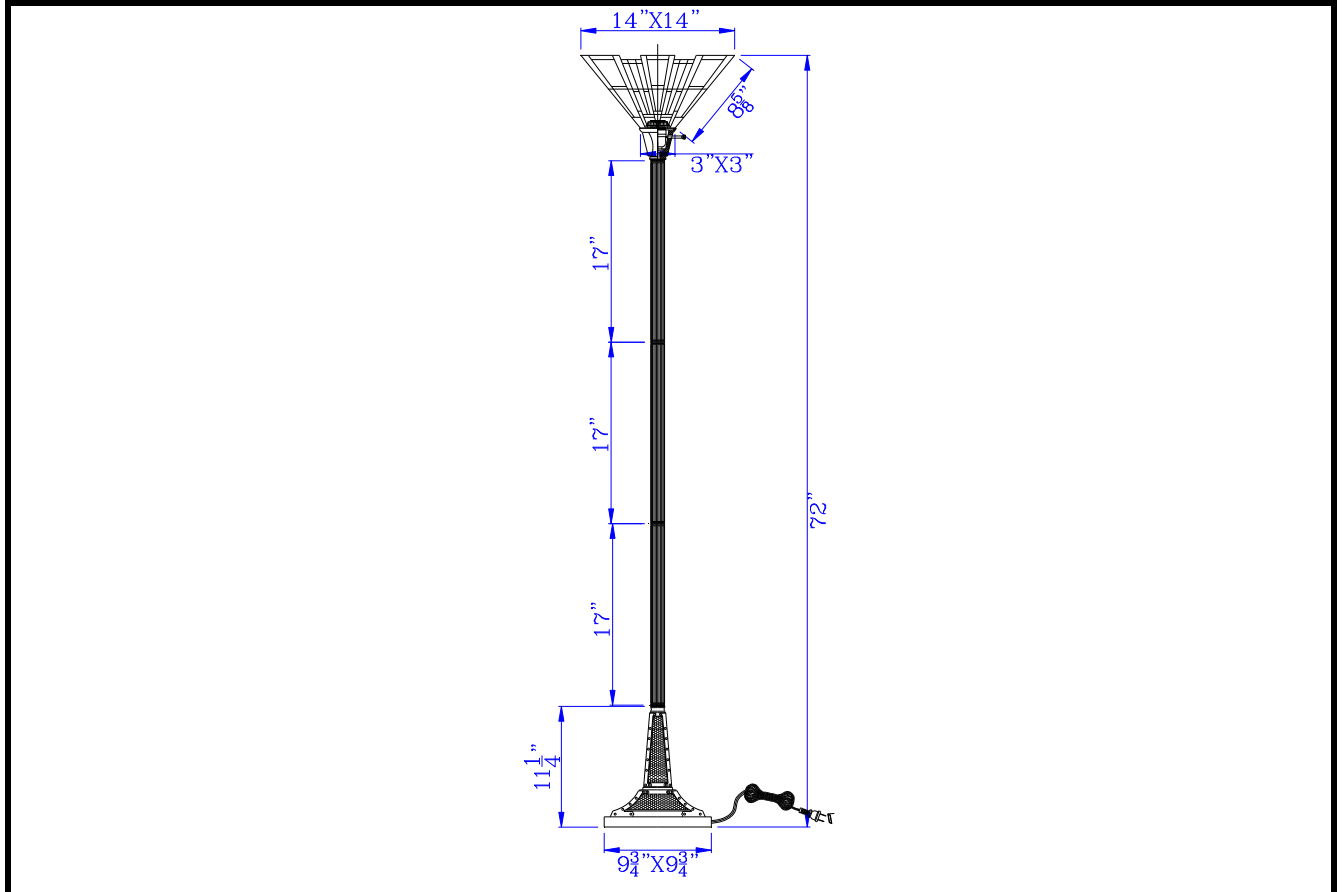




# CAL LIGHTING

3625 E. Philadelphia St. Ontario CA. 91761. Tel: 909.947.5200. Fax: 909.947.5673. www.calighting.com. service@calighting.com.  
Specifications subject to change without notice

Type: \_\_\_\_\_  
Project: \_\_\_\_\_  
Catalog No.: **BO-3100TR**  
Lamp/Wattage: \_\_\_\_\_



**Model No:** BO-3100TR  
**Description:** 150W 3 way metal/resin Tiffany torchiere  
**Material:** Resin  
**Finish :** Dark Bronze  
**Height:** 72"  
**Base Width:** 9 3/4" X 9 3/4"  
**Wattage :** 150W  
**Socket :** Medium Base (E26)  
**Switch:** 3-Way  
**Bulb:** Incandescent  
**Wire Length:** 6'  
**Wire Color:** Black  
**Shade No:**  
**Material:** Tiffany  
**Shade size:** 3" X 3" X 14" X 14" X 8 5/8"

**Certificate :** 