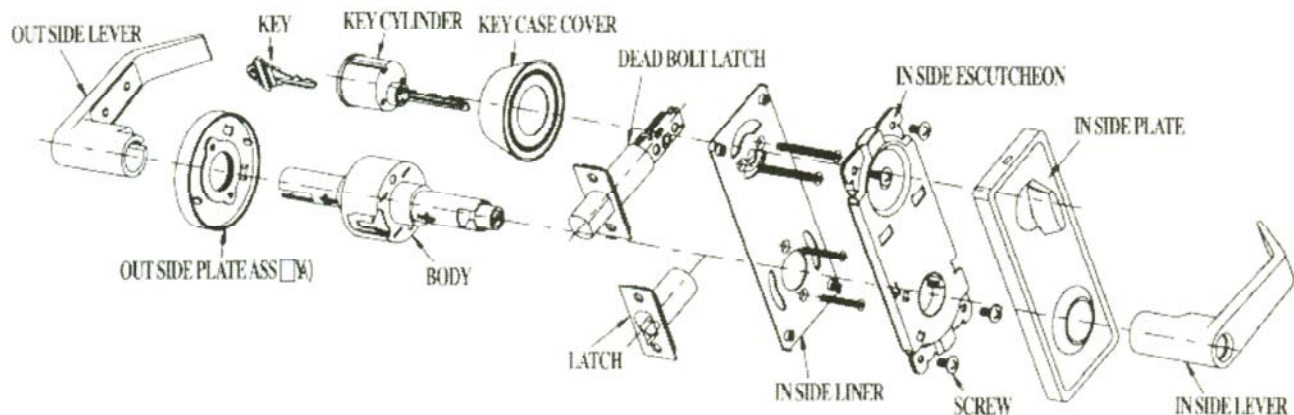
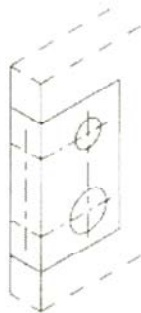


# INSTRUCTIONS FOR INSTALLING INTER-CONNECTED LOCKSET



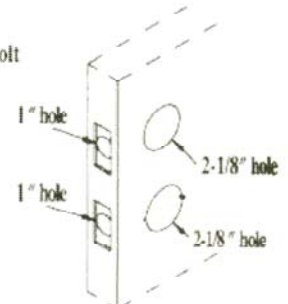
## 1. MARK DOOR

Place template on high edge of door bevel, suggested height 38" (965mm) from floor. On door edge, mark centers of 1" (25.4mm) holes for both top latch and bottom latch. Check backset of the lock you are installing. Either 2-3/8" or 2-3/4" (60mm or 70mm). On door face, mark centers of 2" (51mm) hole for top deadbolt and 2 1/8" (54mm) hole for bottom lever set (Note : Be sure to use correct backset size)



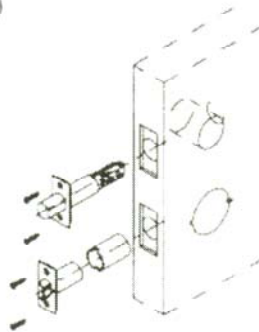
## 2. DRILL HOLES

Drill 2-1/8" (54mm) hole for top dead bolt and 2-1/8" (54mm) hole for bottom. Lever set through door face. Suggest to drill holes from both sides of door face to prevent splitting. Drill two 1" (25.4mm) hole through centers of door edge.



## 3. INSTALL LATCH

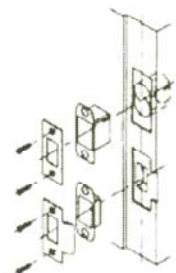
Insert latch in holes. Latch faces must be parallel to door face. Mark latch face outline on door edge and remove latches. Chisel 1/8" (3mm) deep or until latch faces are flush with door edge. Insert latches and tighten screws securely.



## 4. INSTALL STRIKES

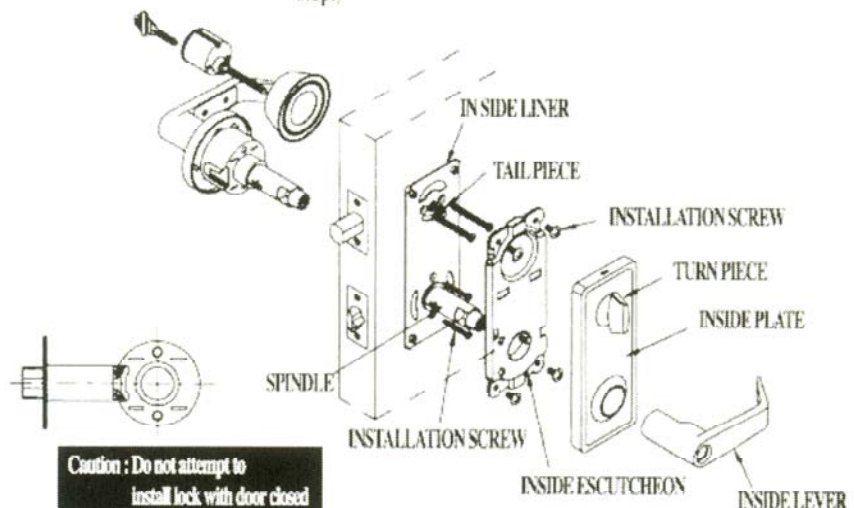
a. Drill two holes 1" (25.4mm) dia. and 1" (25.4mm) deep in door jamb.  
b. Place strike on jamb centered over holes, mark outline and chisel 1/16" (1.6mm) deep or until strikes are flush with jamb.

Install strikes and tighten screws. (Note : Bottom strike has an adjustable tap can be bent in or out to eliminate loose fit between door and stop.)



## 5. INSTALL LOCK ASSEMBLY

- This is subject to 35mm of door thickness. Adjust outside plate assembly after pulling out outside lever according to door thickness for 45mm.
- Insert lever set into bottom latch. Latch must be in plate before installing lock. Be sure to have lock housing engaged with latch tail.
- Install inside liner, tighten installation screw of lever set and deadbolt.
- Slide inside escutcheon onto spindle bottom lock so drive tab engages with spindle groove.
- Slide tail piece of deadbolt onto turnpiece groove.
- Tighten 4 screws on inside escutcheon securely.
- Fix inside plate and inside lever on inside escutcheon.



**Caution : Do not attempt to install lock with door closed**