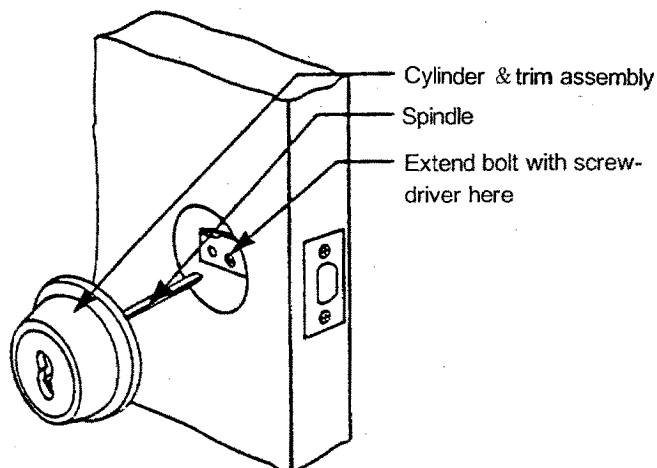


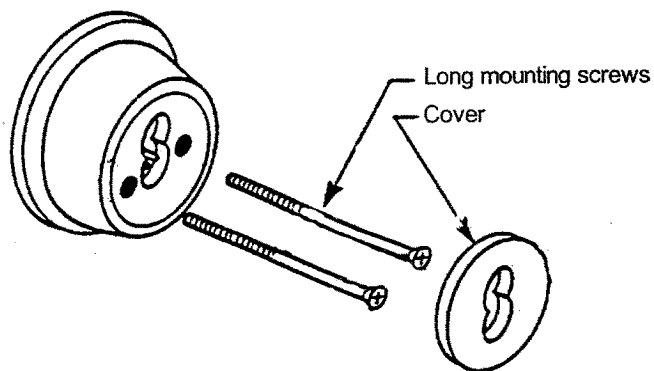
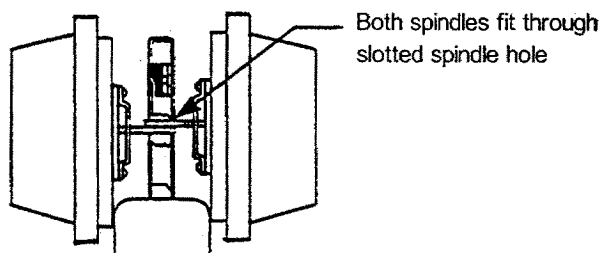
For single cylinder deadbolts:

- 1 Extend the bolt with a screwdriver.
- 2 Install the cylinder and trim assembly with the spindle in the vertical position.



For double cylinder deadbolts:

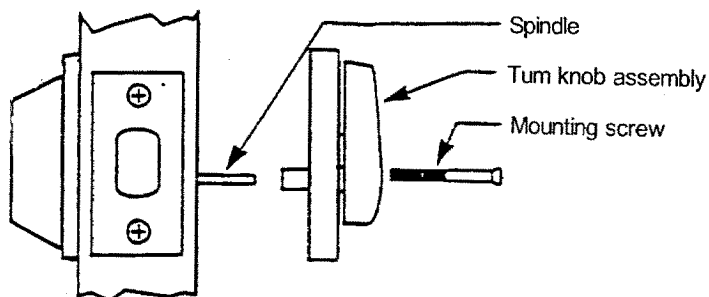
- 1 Extend the bolt with a screwdriver.
- 2 Install each cylinder with its ring and rose.
- 3 Insert long mounting screws and tighten.
- 4 Check to make sure the deadbolt operates properly.
- 5 Insert the cover.



Note 1: Mount cylinders on the doors so that the mounting screws enter from the inside of the door.

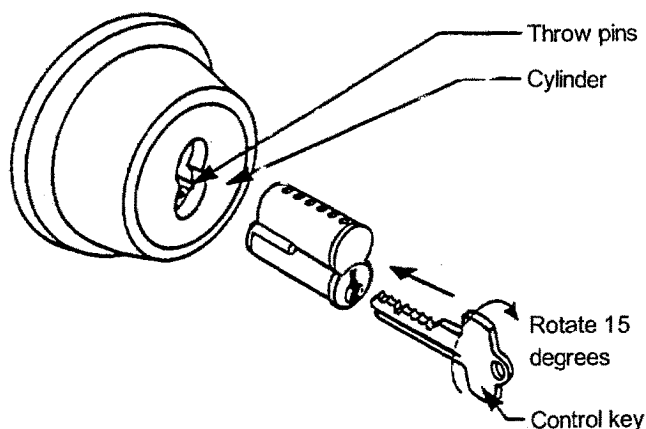
Note 2: Both spindles must fit through the spindle hole in the deadbolt assembly.

- 1 Break the spindle at the appropriate notch to suit the installation.
- 2 Slide the Turn Knob assembly over the spindle and secure it and the cylinder to the door with mounting screws supplied.
- 3 Check to make sure that the deadbolt operates properly.



8 Install Core Or Cores

- 1 Put the control key into the core and turn the key 15° clockwise.
- 2 Adjust the throw pins if needed, then put the core into the cylinder.
- 3 Turn the key 15 degrees counterclockwise and remove the key.



Patents:

Products are protected by one more or more of the following U.S. patents: 4725086, 4838053, 4921289, 5149151, 5398531, 5713231. Other patents pending.

Caution: Double cylinder locks are operated by key only and may hinder emergency exit.