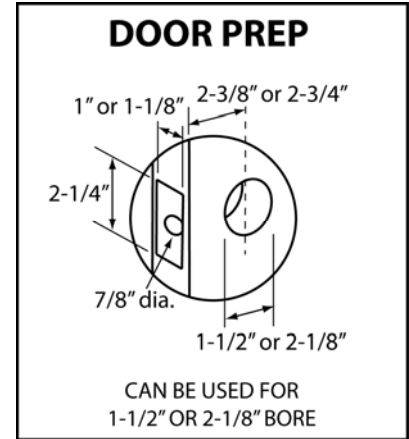
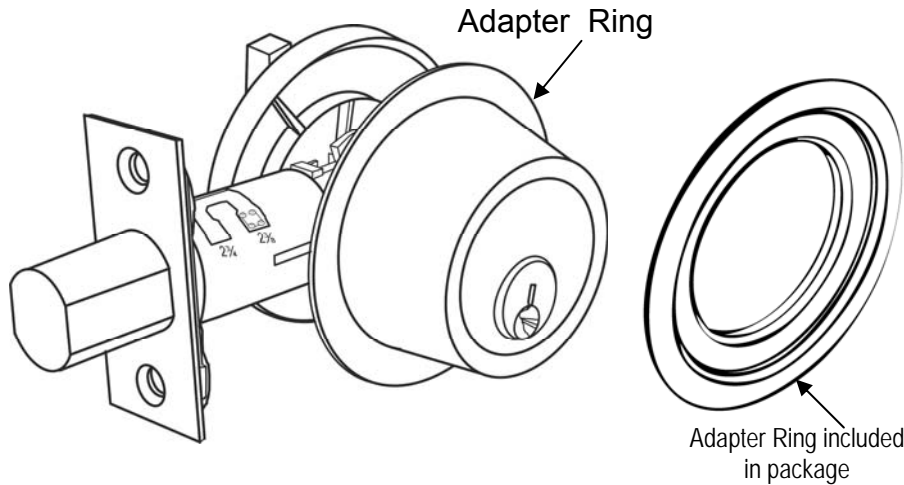


# New Product

October 2008

## CB160 *Series list price* .....

**Commercial / Residential Grade 2 Deadbolts, meets Grade 2 Specifications  
Equivalent to Schlage B160 – Series Deadbolts**



ITEM#	DESCRIPTION	FINISH	PCS/MASTER CARTON	UNIT
CB160	Heavy duty single cylinder deadbolt	US3, 26D	20	Ea.
		US10, 10B 26, 4, 5, 15		
CB162	Heavy duty double cylinder deadbolt	US3, 26D	20	Ea.
		US10, 10B 26, 4, 5, 15		

**► PACKAGING INCLUDES**

- 2 1/2" Diameter Adapter Ring for 2 1/8" Door Preparations
- Standard "C" 6 pin cylinder
- Adjustable 2 3/4" and 2 3/8" backset
- Latch: Backset latch size 1" x 2 1/4" faceplate, packed with latch front adapter to convert 1" face plate for 1 1/8" wide door preparations
- Strike: 1 1/8" x 2 3/4"

**► KEYING CHARGES**

Refer to page L36 in main catalogue

**► OTHER KEYWAYS**

Refer to page L36 in main catalogue

**► ADDITIONAL PARTS**

**\*\*\* STANDARD DISCOUNT ONLY \*\*\***

ITEM#	DESCRIPTION	FINISH	UNIT
T2STRK	Deadbolt strike 1 1/8" X 2 3/4"	US3	Ea.
		US10B	
		US26D	

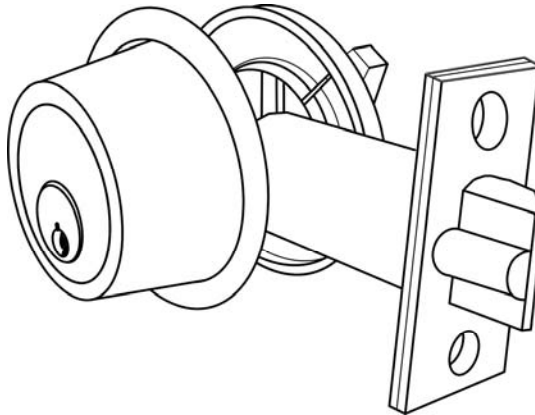


**CAL-ROYAL PRODUCTS, INC.**  
Tel: 800-876-9258 / Fax: 800-222-3316

# New Product

October 2008

## CB160 GATE LATCH DEADLATCHES *Series list price*



ITEM#	DESCRIPTION	FINISH	PCS/MASTER CARTON	UNIT
GL160 (2 <sup>3</sup> / <sub>8</sub> " backset)	Single cylinder gate Latch, "C" keyway	US26D, 3	20	Ea.
		US10B,26, 10, 4, 5, 15		
GL162 (2 <sup>3</sup> / <sub>8</sub> " backset)	Double cylinder gate Latch, "C" keyway	US26D, 3	20	Ea.
		US10B,26, 10, 4, 5, 15		

**For 2<sup>3</sup>/<sub>4</sub>" backset:** Suffix 234 at end of part# Example: GL160/234

► **PACKAGING INCLUDES**

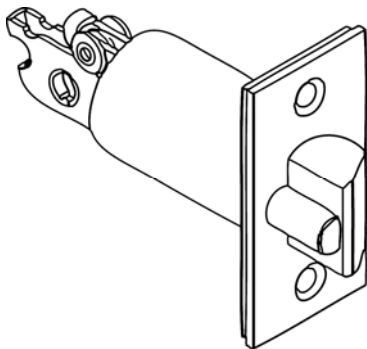
- Standard "C" 6 pin cylinder
- Standard 2<sup>3</sup>/<sub>8</sub>" backset or 2<sup>3</sup>/<sub>4</sub>". Specify backset.  
**For 2<sup>3</sup>/<sub>4</sub>" suffix 234 at end of part#.**
- Latch bolt size: 1<sup>1</sup>/<sub>8</sub>" x 2<sup>1</sup>/<sub>4</sub>"
- Strike size: 1<sup>1</sup>/<sub>8</sub>" x 2<sup>3</sup>/<sub>4</sub>"

► **KEYING CHARGES**

- Refer to page L36 in main catalogue

*Finishes not shown are available subject to quantity and lead-time.*

**GL-238/GL-234**



► **ADDITIONAL PARTS**

ITEM#	DESCRIPTION	UNIT
GL-238	2 <sup>3</sup> / <sub>8</sub> " deadlatch (1 <sup>1</sup> / <sub>8</sub> " x 2 <sup>1</sup> / <sub>4</sub> ")	Ea.
GL-234	2 <sup>3</sup> / <sub>4</sub> " deadlatch (1 <sup>1</sup> / <sub>8</sub> " x 2 <sup>1</sup> / <sub>4</sub> ")	
T2STRK	Deadbolt strike 1 <sup>1</sup> / <sub>8</sub> " x 2 <sup>3</sup> / <sub>4</sub> "	FINISH
		US3
		US10B
		US26D



**L27b**

**CAL-ROYAL PRODUCTS, INC.**  
Tel: 800-876-9258 / Fax: 800-222-3316