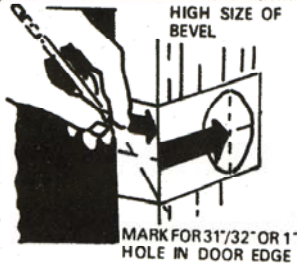


INSTRUCTIONS FOR INSTALLATION OF TUBULAR LOCKSETS

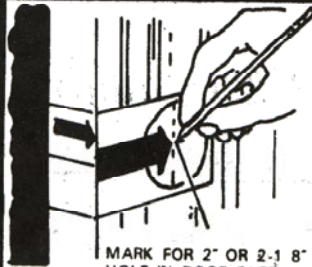
INSTALLATION ILLUSTRATIONS ARE SHOWN WITH ENTRY MODELS. PROCEDURE IS IDENTICAL FOR PRIVACY, CLOSET AND EXIT MODELS IN ANY KNOB DESIGN.

1. MARK DOOR



MARK FOR 31/32" OR 1" HOLE IN DOOR EDGE

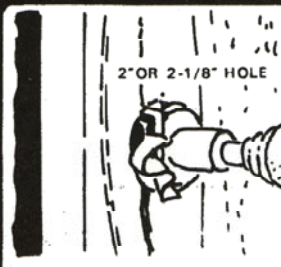
Start approximately 36" from floor. Fold and apply template to high edge of door bevel and mark center of door edge as indicated on template.



MARK FOR 2" OR 2-1/8" HOLE IN DOOR FACE

Mark center hole on door face through guide on template for 2-3/8" 2-3/4" backsets.

2. DRILL HOLES



2" OR 2-1/8" HOLE

Drill 2" or 2-1/8" hole through door face as marked for lockset. It is recommended that holes be drilled from both sides to prevent spitting.



31/32" OR 1" HOLE

Drill 31/32" or 1" hole in center of door edge for latch. Check template for correct size for your latch application.

3. INSTALL LATCH



Insert latch in hole keeping it parallel to face of door. Mark outline and remove latch.



Chisel 1/8" deep or until latch face is flush with door edge.



Insert latch and tighten screws.

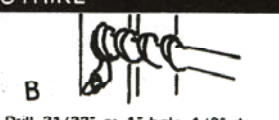


Note: For drive-in latch, DRILL HOLE size indicated on template and PRESS latch until it is flush with door edge.

4. INSTALL STRIKE



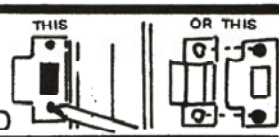
Insert end of template against flat of latch bolt and close door against stop. Mark template from edge of jamb and locate strike opening. Move 1/4" for plain latch and 3/4" for deadlatch toward door stop to locate center line for screws and 1" hole.



Drill 31/32" or 1" hole 1/2" deep in door jamb on center line of screws. CAUTION: To assure proper turkset function, hole in jamb must be drilled fall 1/2" deep.



Match screw holes on strike with center line on jamb. Outline outside edges of strike. Chisel 1/16" deep for strike.

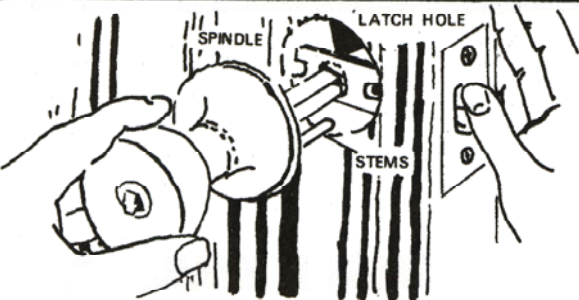


THIS

OR THIS

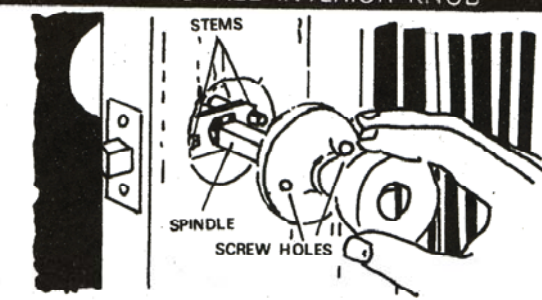
Install strike and tighten screws. (Adjustable lang on strike permit bending in or out to eliminate too loose fit between door and door stop) when a strike box is required, mount under strike as shown.

5. INSTALL EXTERIOR KNOB



Insert knob with spindle into latch making certain that stems are positioned correctly through latch holes. Press flush against door.

6. INSTALL INTERIOR KNOB



Install interior knob and rose by placing on spindle and aligning screw holes with stems. Push flush against the door, insert screws and tighten until lockset is firm.

Suitable for door thickness:
1 3/8" (35mm) to 1 3/4" (45mm)

1 FOLD HERE ON DOOR EDGE

2 MARK FOR 1 3/4" DOOR OR MARK FOR 1 3/8" DOOR

3 THEN DRILL 1" HOLE IN CENTRE OF DOOR EDGE

TEMPLATE FOR INSTALLING ENTRY LOCK AND DEADBOLTS

2 3/8" BACKSET

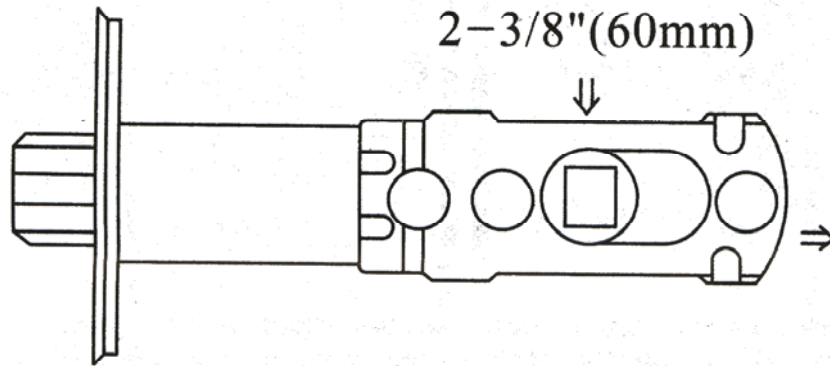
4 MARK CENTER OF HOLE ON DOOR FACE

2 3/4" BACKSET

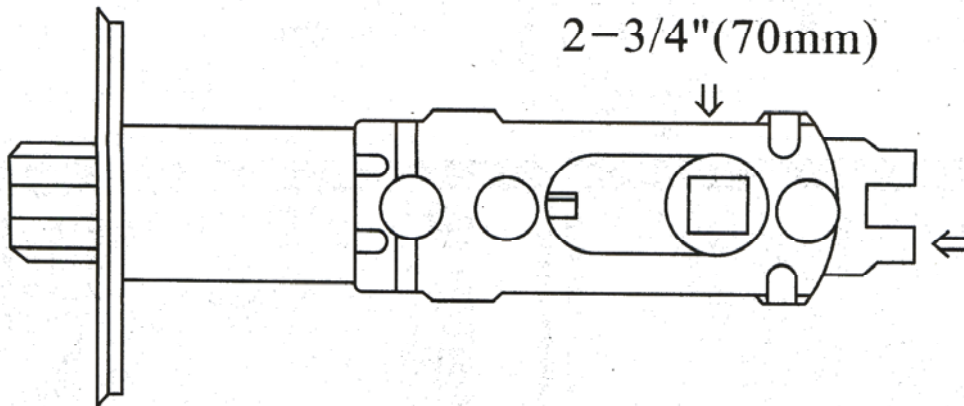
5 DRILL 2 1/8" HOLE

IMPORTANT! PLACE TEMPLATE ON HIGH EDGE OF DOOR BEVEL

HOW TO ADJUST THE LATCH



THE LATCH IS SET 2-3/8"(60mm) TO ADJUST TO
2-3/4"(70mm) PULL OUT THE REAR PART



THE LATCH IS SET 2-3/4"(70mm) TO ADJUST TO
2-3/8"(60mm) PULL IN THE REAR PART