

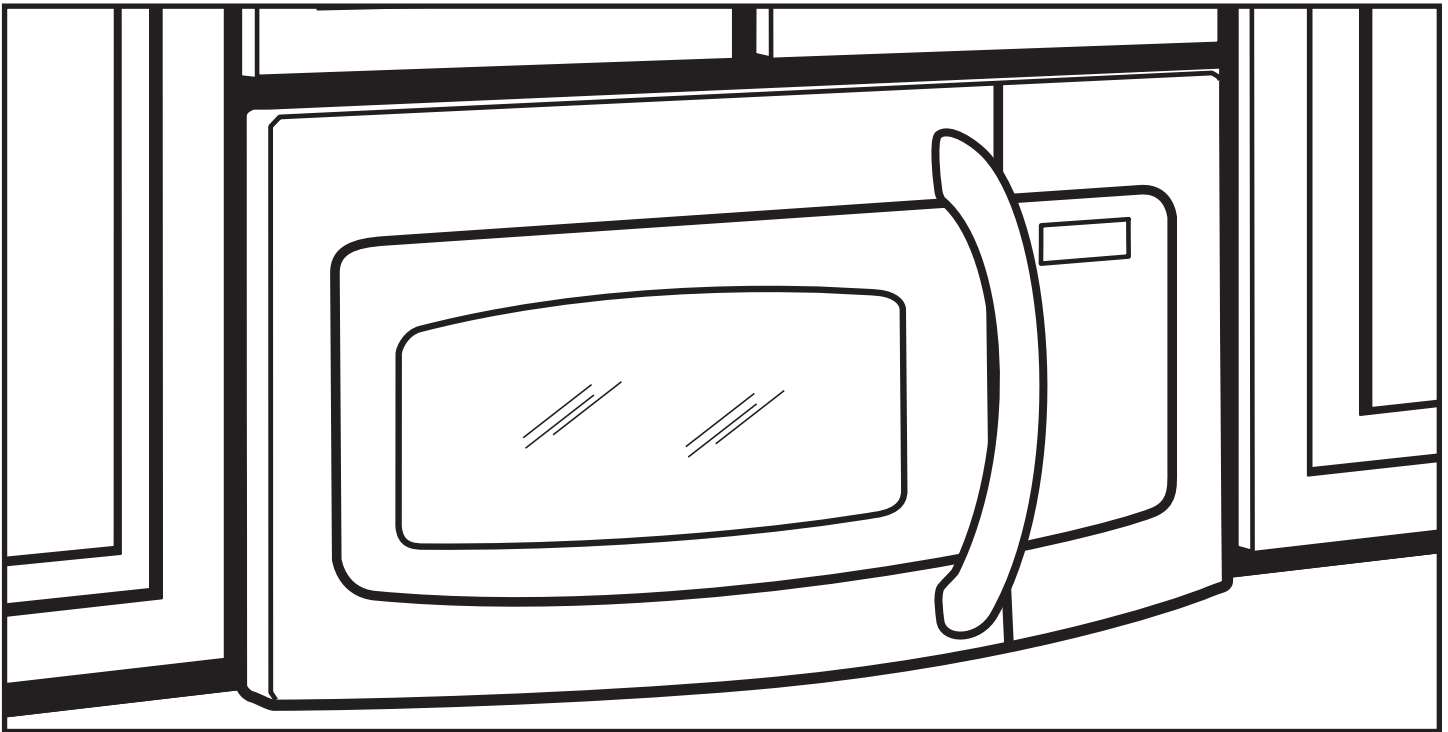
# Installation Instructions

# Over the Range Microwave Oven

## BEFORE YOU BEGIN

Read these instructions completely and carefully.

- **IMPORTANT** — Save these instructions for local inspector's use.
- **IMPORTANT** — Observe all governing codes and ordinances.
- **Note to Installer** — Be sure to leave these instructions with the Consumer.
- **Note to Consumer** — Keep these instructions for future reference.
- **Skill level** — Installation of this appliance requires basic mechanical and electrical skills.
- Proper installation is the responsibility of the installer.
- Product failure due to improper installation is not covered under the Warranty.



English/Spanish



MFL59060938

**READ CAREFULLY.  
KEEP THESE INSTRUCTIONS.**

31-7000091 Rev. 3 05-23 GEA

# Installation Instructions

**!** This is the safety alert symbol. This symbol alerts you to potential hazards that can kill or hurt you and others. All safety messages will follow the safety alert symbol and the word “DANGER”, “WARNING”, or “CAUTION”. These words are defined as:

## **! DANGER**

Indicates a hazardous situation which, if not avoided, will result in death or serious injury.

## **! WARNING**

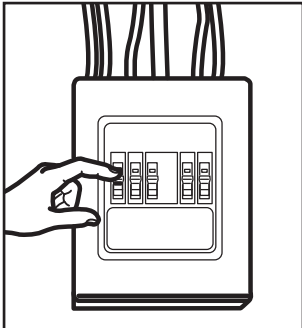
Indicates a hazardous situation which, if not avoided, could result in death or serious injury.

## **! CAUTION**

Indicates a hazardous situation which, if not avoided, could result in minor or moderate injury.

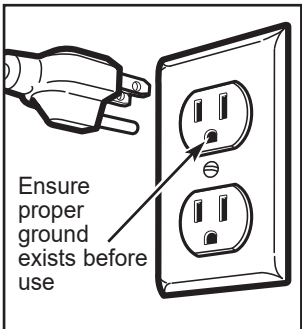
## IMPORTANT SAFETY INSTRUCTIONS

A qualified electrician must perform a ground continuity check on the wall receptacle before beginning the installation to ensure that the outlet box is properly grounded. If not properly grounded, or if the wall receptacle does not meet electrical requirements noted (under ELECTRICAL REQUIREMENTS), a qualified electrician should be employed to correct any deficiencies.



## **! WARNING**

**Risk of Electric Shock. Can cause injury or death: Remove house fuse or open circuit breaker before beginning installation to avoid severe or fatal shock injury.**



## **! WARNING**

**Risk of Electric Shock. Can cause injury or death: THIS APPLIANCE MUST BE PROPERLY GROUNDED to avoid severe or fatal shock.**

The power cord of this appliance is equipped with a three-prong (grounding) plug which mates with a standard three-prong (grounding) wall receptacle to minimize the possibility of electric shock hazard from this appliance.

Where a standard two-prong wall receptacle is encountered, it must be replaced with a properly grounded three-prong wall receptacle, installed by a qualified electrician.

## RISK OF ELECTRIC SHOCK

## **! WARNING**

**Can cause injury or death: DO NOT, under any circumstances, cut, deform or remove any of the prongs from the power cord. Do not use with an extension cord. Failure to comply may cause fire.**

## ELECTRICAL REQUIREMENTS

Product rating is 120 volts AC, 60 Hertz, 14.5 amps and 1.7 kilowatts. This product must be connected to a supply circuit of the proper voltage and frequency. Wire size must conform to the requirements of the National Electrical Code or the prevailing local code for this kilowatt rating. The power supply cord and plug should be brought to a separate 15- to 20-ampere branch circuit single grounded outlet. The outlet box should be located in the cabinet above the microwave oven. The outlet box and supply circuit should be installed by a qualified electrician and conform to the National Electrical Code or the prevailing local code.

## FOR YOUR SAFETY:

## **! CAUTION**

**For personal safety, the mounting surface must be capable of supporting the cabinet load, in addition to the added weight of this 63–85 pound product, plus additional oven loads of up to 50 pounds or a total weight of 113–135 pounds.**

## **! CAUTION**

**For personal safety, this product cannot be installed in cabinet arrangements such as an island or a peninsula. It must be mounted to BOTH a top cabinet AND a wall.**

## **! CAUTION**

**To avoid the risk of personal injury (back injury or other injuries due to excessive weight of the microwave oven) or property damage, you will need two people to install this microwave oven.**

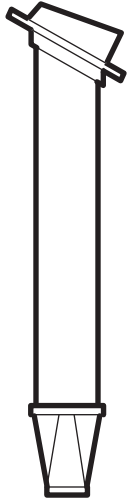
# Installation Instructions

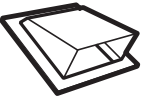


## HOOD EXHAUST

**NOTE:** Read these next two pages only if you plan to vent your exhaust to the outside. If you plan to recirculate the air back into the room, proceed to page 11.

### OUTSIDE TOP EXHAUST (EXAMPLE ONLY)

The following chart describes an example of one possible ductwork installation.

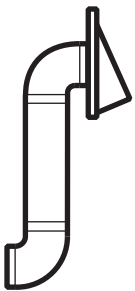


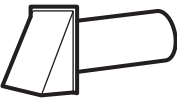


DUCT PIECES		EQUIVALENT LENGTH	x	NUMBER USED	=	LENGTH
	Roof Cap	24 Ft.	x	(1)	=	24 Ft.
	12 Ft. Straight Duct (6" Round)	12 Ft.	x	(1)	=	12 Ft.
	Rectangular-to-Round Transition Adaptor*	5 Ft.	x	(1)	=	5 Ft.
Equivalent lengths of duct pieces are based on actual tests and reflect requirements for good venting performance with any vent hood.						<b>Total Length = 41 Ft.</b>

**\* IMPORTANT:** If a rectangular-to-round transition adaptor is used, the bottom corners of the damper will have to be cut to fit, using the tin snips, in order to allow free movement of the damper.

### OUTSIDE BACK EXHAUST (EXAMPLE ONLY)

The following chart describes an example of one possible ductwork installation.



DUCT PIECES		EQUIVALENT LENGTH*	x	NUMBER USED	=	LENGTH
	Wall Cap	40 Ft.	x	(1)	=	40 Ft.
	3 Ft. Straight Duct (3¼" x 10" Rectangular)	3 Ft.	x	(1)	=	3 Ft.
	90° Elbow	10 Ft.	x	(2)	=	20 Ft.
Equivalent lengths of duct pieces are based on actual tests and reflect requirements for good venting performance with any vent hood.						<b>Total Length = 63 Ft.</b>

**NOTE:** For back exhaust, care should be taken to align exhaust with space between studs, or wall should be prepared at the time it is constructed by leaving enough space between the wall studs to accommodate exhaust.

# Installation Instructions

**NOTE:** If you need to install ducts, note that the total duct length of 3¼" x 10" rectangular or 6" diameter round duct **should not exceed 140 equivalent feet.**

Outside ventilation requires a HOOD EXHAUST DUCT. Read the following carefully.

**NOTE:** It is important that venting be installed using the most direct route and with as few elbows as possible. This ensures clear venting of exhaust and helps prevent blockages. **Also, make sure dampers swing freely and nothing is blocking the ducts.**

**Exhaust connection:**





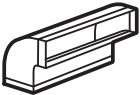
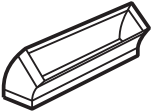
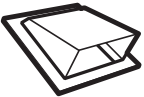

The hood exhaust has been designed to mate with a standard 3¼" x 10" rectangular duct.

If a round duct is required, a rectangular-to-round transition adaptor must be used. **Do not use less than a 6" diameter duct.**

**Maximum duct length:**

For satisfactory air movement, the total duct length of 3¼" x 10" rectangular or 6" diameter round duct **should not exceed 140 equivalent feet.**

**Elbows, transitions, wall and roof caps, etc.,** present additional resistance to airflow and are equivalent to a section of straight duct which is longer than their actual physical size. When calculating the total duct length, add the equivalent lengths of all transitions and adaptors plus the length of all straight duct sections. The chart below shows you how to calculate total equivalent ductwork length using the approximate feet of equivalent length of some typical ducts.

DUCT PIECES	EQUIVALENT LENGTH	x	NUMBER USED	=	LENGTH
 Rectangular-to-Round Transition Adaptor*	5 Ft.	x	( )	=	Ft.
 Wall Cap	40 Ft.	x	( )	=	Ft.
 90° Elbow	10 Ft.	x	( )	=	Ft.
 45° Elbow	5 Ft.	x	( )	=	Ft.
 90° Elbow	25 Ft.	x	( )	=	Ft.
 45° Elbow	5 Ft.	x	( )	=	Ft.
 Roof Cap	24 Ft.	x	( )	=	Ft.
 Straight Duct 6" Round or 3¼" x 10" Rectangular	1 Ft.	x	( )	=	Ft.
<b>Total Ductwork</b>				<b>=</b>	<b>Ft.</b>



\* **IMPORTANT:** If a rectangular-to-round transition adaptor is used, the bottom corners of the damper will have to be cut to fit, using the tin snips, in order to allow free movement of the damper.


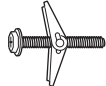



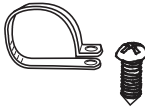
Equivalent lengths of duct pieces are based on actual tests and reflect requirements for good venting performance with any vent hood.

# Installation Instructions

## DAMAGE – SHIPMENT INSTALLATION

- If the unit is damaged in shipment, return the unit to the store in which it was bought for repair or replacement.
- If the unit is damaged by the customer, repair or replacement is the responsibility of the customer.
- If the unit is damaged by the installer (if other than the customer), repair or replacement must be made by arrangement between customer and installer.

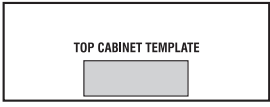
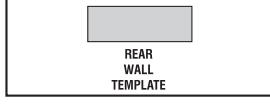


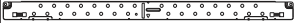
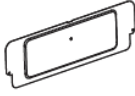
## PARTS INCLUDED HARDWARE PACKET

Part	Quantity
 Wood screws (1/4" x 2")	2
 Toggle bolts (and wind nuts) (3/16" x 3")	2
 Self-aligning machine screws (1/4" - 28 x 3 1/4")	2
 Nylon Grommet (for metal cabinets)	1
 Tapping screws (for attaching the damper duct connector)	2-3
 One power cord clamp and One dark-colored mounting screw (to hold the power cord)	1

You will find the installation hardware contained in a packet with the unit. Check to make sure you have all these parts.

**NOTE:** Some extra parts are included.

## ADDITIONAL PARTS

Part	Quantity
 TOP CABINET TEMPLATE	1
 REAR WALL TEMPLATE	1
 INSTALLATION INSTRUCTIONS	1
 Separately Packed Grease Filter	2
 Mounting Plate (for supporting the microwave Oven)	1
 Cover plate (for Room Venting installation) included on some models	1

# Installation Instructions

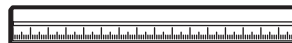
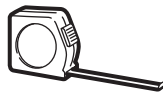
## TOOLS YOU WILL NEED



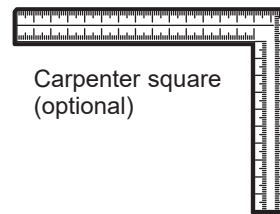
#1 and #2 Phillips screwdriver



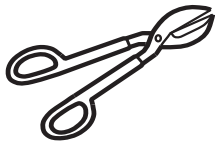
Pencil



Ruler or tape measure and straight edge



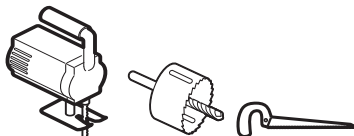
Carpenter square (optional)



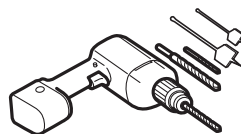
Tin snips (for cutting damper, if required)



Scissors (to cut template, if necessary)



Saw (saber, hole or keyhole)



Electric drill with  $\frac{3}{16}$ ",  $\frac{7}{16}$ ",  $\frac{1}{2}$ " and  $\frac{5}{8}$ " drill bits



Filler blocks or scrap wood pieces, if needed for top cabinet spacing (used on recessed bottom cabinet installations only)



Gloves



Level



Stud finder



Hammer (optional)

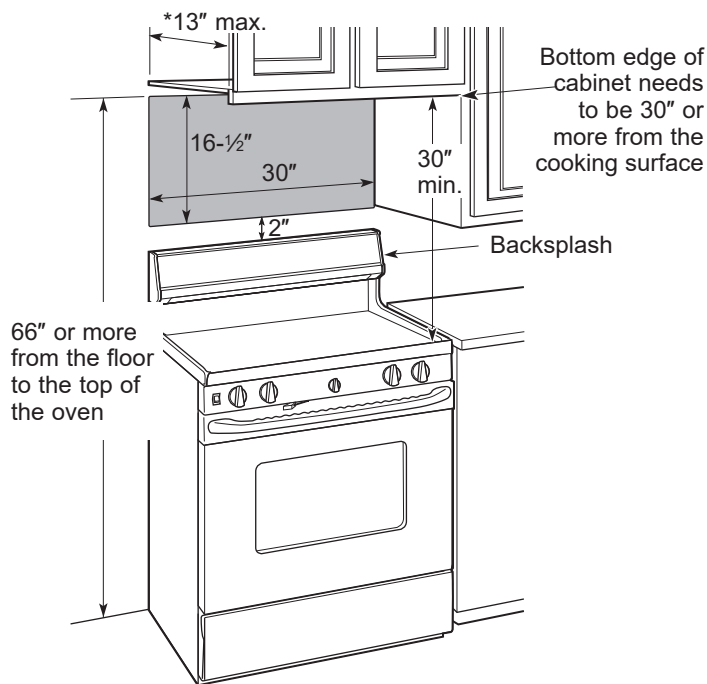


Duct and masking tape



Safety goggles

## MOUNTING SPACE



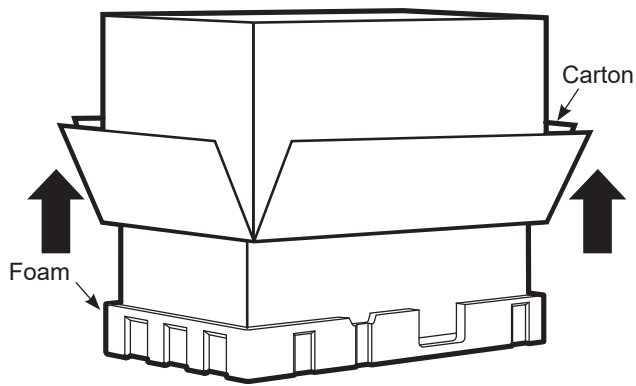
- The space between the cabinets must be 30" wide and free of obstructions.
- This oven is for installation over ranges up to 36" wide.
- If the space between the cabinets is greater than 30", a Filler Panel Kit may be used to fill in the gap between the microwave oven and the cabinets. Your Owner's Manual contains the kit number for your model.
- If you are going to vent your oven to the outside, see Hood Exhaust Section for exhaust duct preparation.
- When installing the oven beneath smooth, flat cabinets, be careful to follow the instructions on the top cabinet template for power cord clearance.
- \* 13" max: for standard installation, 15" cabinet depth requires additional steps using an additional installation kit JX15BUMPWW/BB.
- For models with top venting holes: Do not allow cabinetry or other objects to block the airflow of the vent.
- This microwave is suitable for installation over electric or gas cooking appliances with a combined BTU of 63,000 BTU or less.
- Café branded gas cooking appliances should only be installed in combination with a Café branded over-the-range microwave.
- Monogram branded gas cooking appliances should only be installed in combination with a Monogram branded over-the-range microwave.
- Monogram branded gas cooking appliances with a combined BTU greater than 66,000 BTU should not be paired with an over-the-range microwave.

# Installation Instructions

## 1 PLACEMENT OF THE MOUNTING PLATE

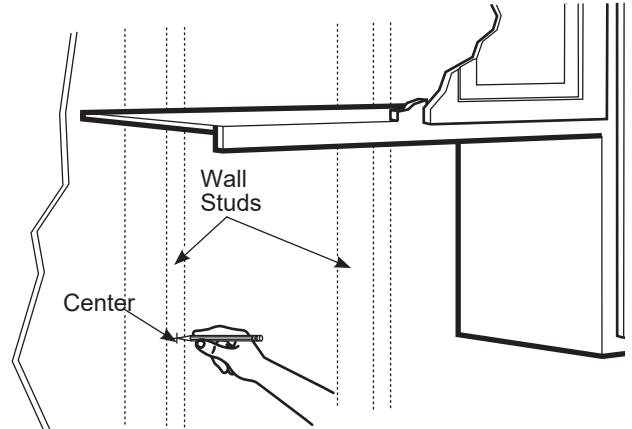
### A. REMOVING THE MICROWAVE OVEN FROM THE CARTON

- 1 Remove the installation instructions, filters, glass tray, mounting plate, and the small hardware bag. Do not remove the foam protecting the front of the oven.
- 2 Fold back all 4 carton flaps fully against carton sides. Then carefully roll the oven and carton over onto the top side. The oven should be resting in the foam.



- 3 Pull the carton up and off the oven.
- 4 Set the oven upright. Remove and properly discard plastic bags and foam packing.

### B. FINDING THE WALL STUDS



- 1 Find the studs, using one of the following methods:
  - A. Stud finder – a magnetic device which locates nails.

**OR**

  - B. Use a hammer to tap lightly across the mounting surface to find a solid sound. This will indicate a stud location.
- 2 After locating the stud(s), find the center by probing the wall with a small nail to find the edges of the stud. Then place a mark halfway between the edges. The center of any adjacent studs should be 16" or 24" from this mark.
- 3 Draw a line down the center of the studs.

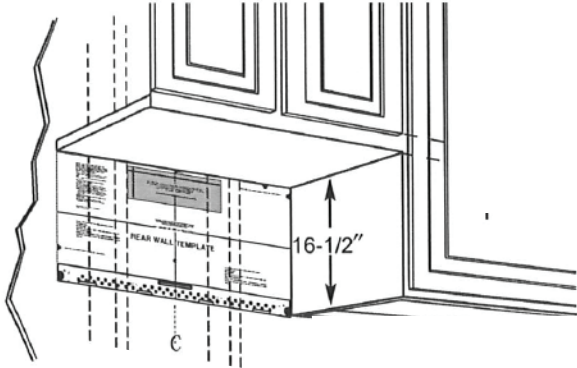
**THE MICROWAVE MUST BE CONNECTED TO AT LEAST ONE WALL STUD.**



# Installation Instructions

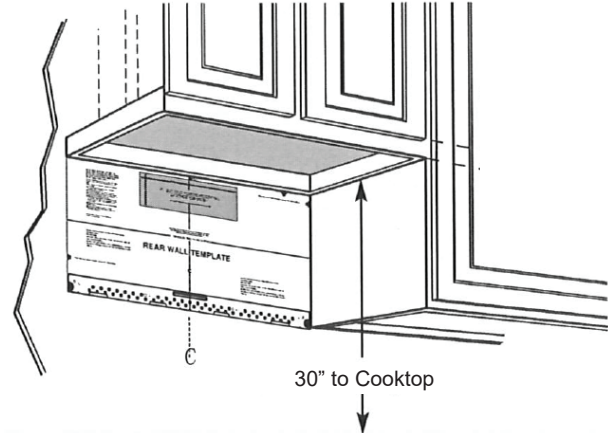
## C DETERMINING MOUNTING PLATE LOCATION UNDER YOUR CABINET

### Plate Position – beneath flat bottom cabinet



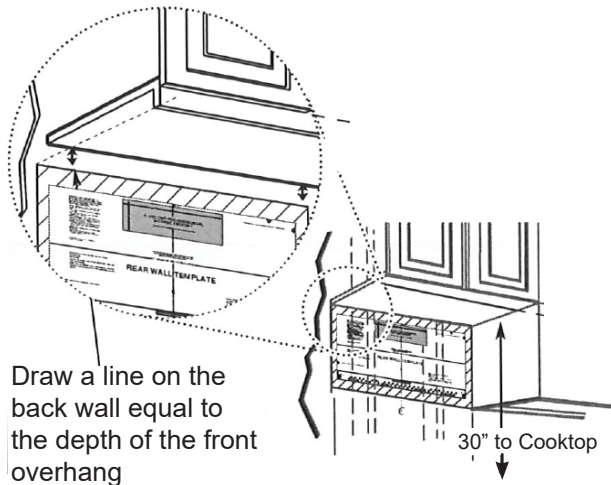
Draw a vertical line on the wall at the center of the 30" wide space. Tape the Rear Wall Template onto the wall matching the centerline and touching the bottom of the cabinet

### Plate Position – beneath framed recessed cabinet bottom



Draw a vertical line on the wall at the center of the 30" space. Tape the Rear Wall Template onto the wall matching the centerline and touching the bottom cabinet frame.

### Plate Position – beneath recessed bottom cabinet with front overhang.



Draw a line on the back wall equal to the depth of the front overhang

Your cabinets may have decorative trim that interferes with the microwave installation. Remove the decorative trim to install the microwave properly and to make it level.

### THE MICROWAVE MUST BE LEVEL

Use a level to make sure the cabinet bottom is level.

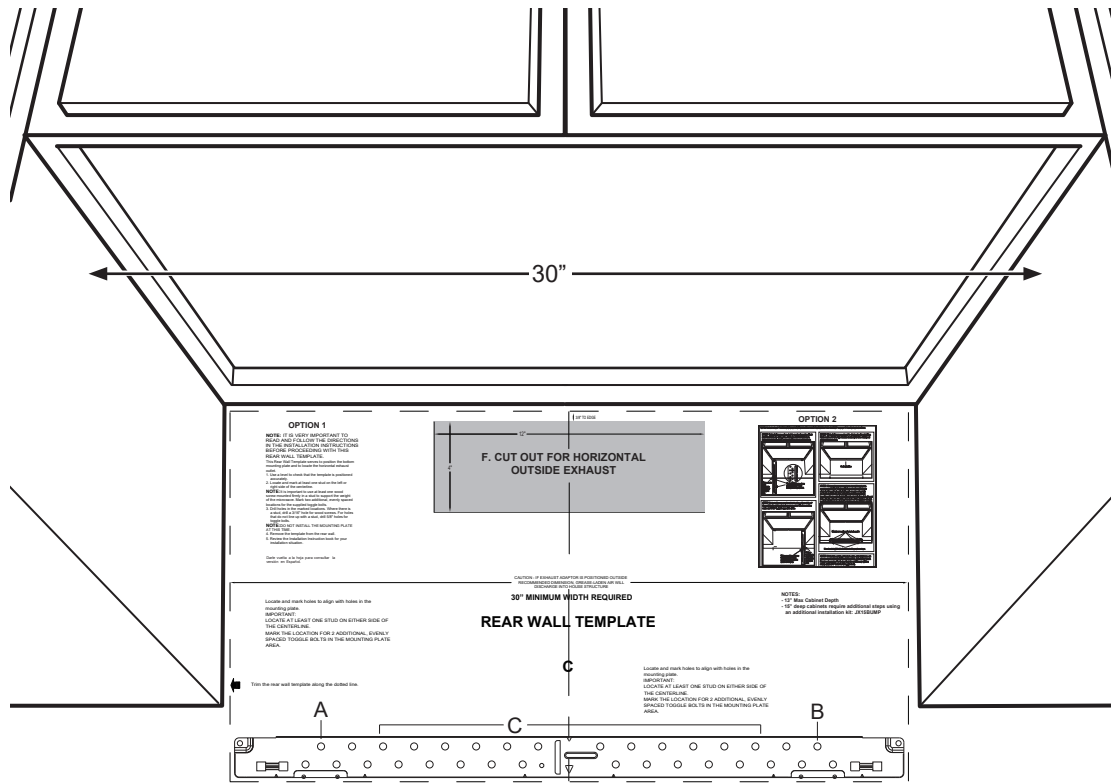
If the cabinets have a front overhang only, with no back or side frame, install the mounting plate down the same distance as the front overhang depth. This will keep the microwave level.

- 1 Measure the inside depth of the front overhang.
- 2 Draw a horizontal line on the back wall an equal distance below the cabinet bottom as the inside depth of the front overhang.
- 3 For this type of installation with front overhang only, align the Rear Wall Template with this horizontal line, not touching the cabinet bottom as described in Step D.



# Installation Instructions

## D MARKING THE MOUNTING HOLES OPTION 1: USE PAPER REAR WALL TEMPLATE



**CAUTION** Wear gloves to avoid cutting fingers on sharp edges.

**WARNING** Risk of electric shock. Can cause injury or death. Take care to not drill into electrical wiring inside walls or cabinets.

This Rear Wall Template serves to locate the mounting holes for the bottom mounting plate and to locate the horizontal exhaust outlet.

1. Use a level to check that the template is positioned accurately.
2. Locate and mark at least one stud on the left or right side of the centerline.

**NOTE:** It is important to use at least one wood screw mounted firmly in a stud to support the weight of the microwave.

3. Mark the hole location on the wall using the template at holes A and B. Mark at least one hole location in area C that lines up with the location of a stud. A minimum of three holes must be used for mounting.
4. Drill holes in the marked locations. Where there is a stud, drill a 3/16" hole for wood screws. For holes that do not line up with a stud, drill 5/8" holes for toggle bolts.

**NOTE: DO NOT INSTALL THE MOUNTING PLATE AT THIS TIME**

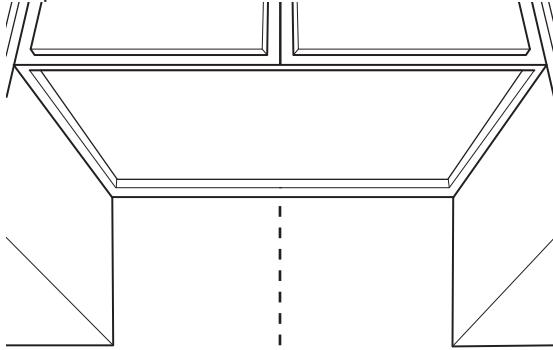
5. Remove the template from the rear wall.

# Installation Instructions

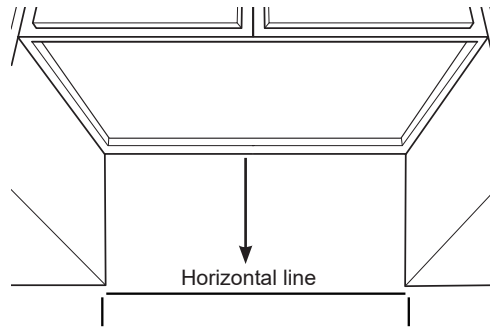
## **D** MARKING THE MOUNTING HOLES OPTION 2: USE METAL BRACKET AS TEMPLATE

**NOTE:** Refer to step C "DETERMINING MOUNTING PLATE LOCATION UNDER YOUR CABINET on page 8 for aligning instructions.

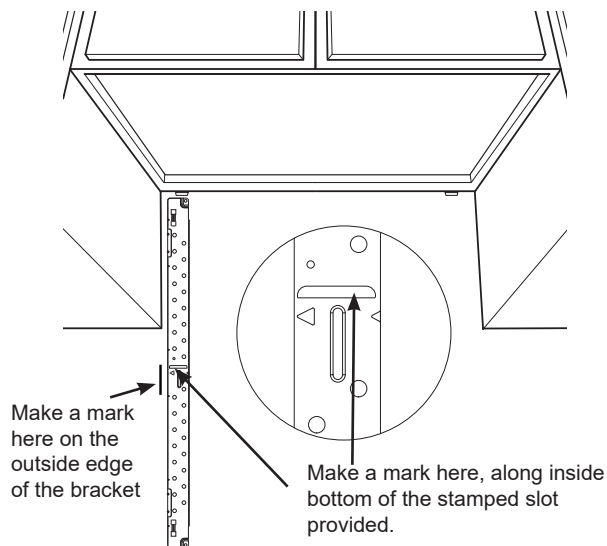
**STEP 1:** Draw a vertical line on the wall at the center of the 30" space.



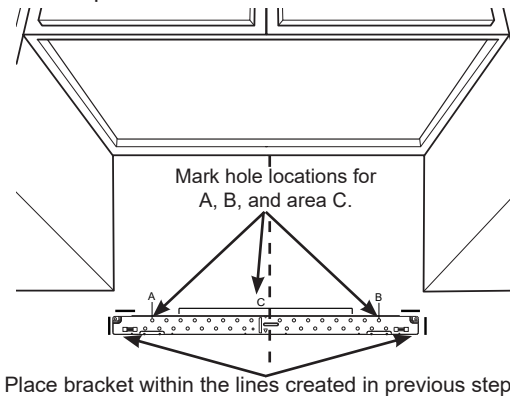
**STEP 4:** Installer uses a level to draw a horizontal line that connects the two marks made with the stamped slot in the bracket.



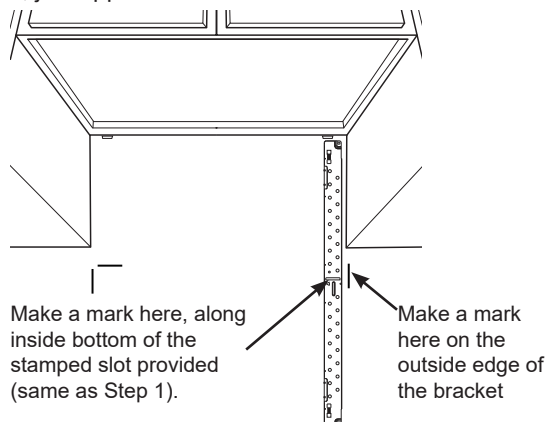
**STEP 2:** Installer uses bracket to make 2 marks. First mark is made by using the stamped slot in bracket. Second mark is made on the outside edge of bracket.



**STEP 5:** Installer places the mounting bracket on the wall as shown in the picture. Draw circles on the wall at holes A and B. Draw at least one circle in area C. At least one circle MUST line up with a wall stud.



**STEP 3:** Installer moves bracket to the other side of the cabinets and makes 2 more marks. Marks are the same as STEP 2, just opposite side.



**STEP 6:** Set mounting bracket aside and drill holes at all marked locations. If there is a stud, drill a 3/16" hole for wood screws. For holes that do not line up with a stud, drill a 5/8" hole for a toggle bolt.

# Installation Instructions

## 2 INSTALLATION TYPES (Choose A, B or C)

This microwave oven is designed for adaptation to the following three types of ventilation:

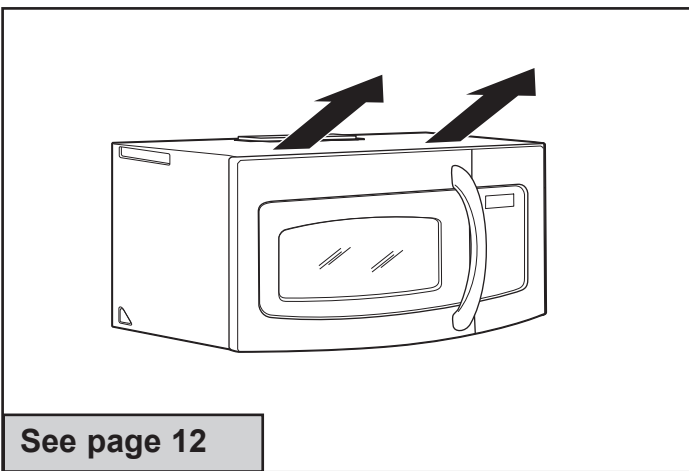
**A. Recirculating (Non-Vented Ductless)**

**B. Outside Top Exhaust (Vertical Duct)**

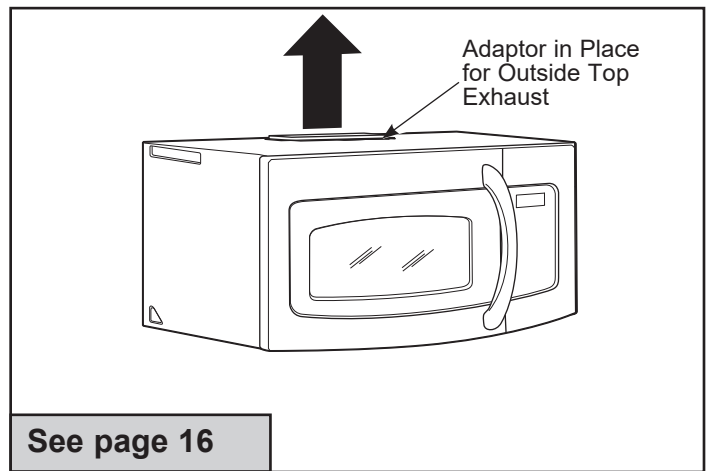
**C. Outside Back Exhaust (Horizontal Duct)**

**NOTE:** Select the type of ventilation required for your installation and proceed to that section.

### A RECIRCULATING (NON-VENTED DUCTLESS)

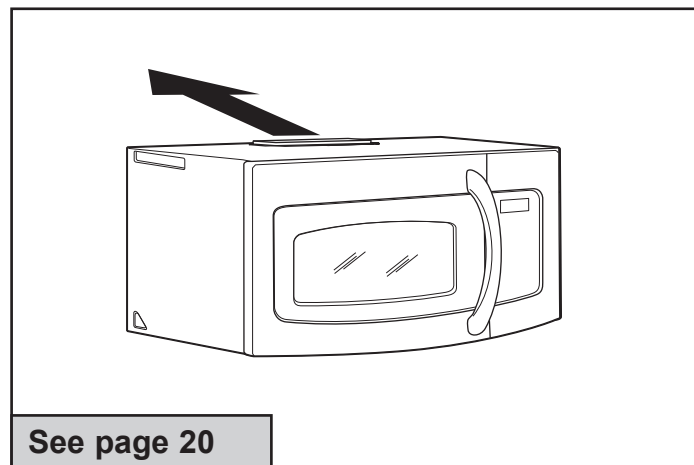


### B OUTSIDE TOP EXHAUST (VERTICAL DUCT)



A Charcoal Filter Accessory Kit is required for the non-vented exhaust. (See your Owner's Manual for the kit number.)

### C OUTSIDE BACK EXHAUST (HORIZONTAL DUCT)

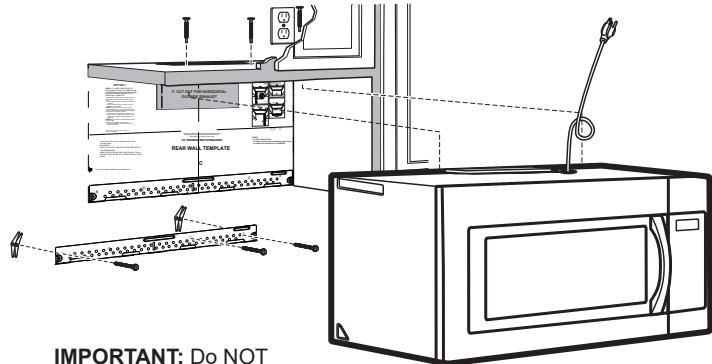


# Installation Instructions

## A RECIRCULATING (Non-Vented Ductless)

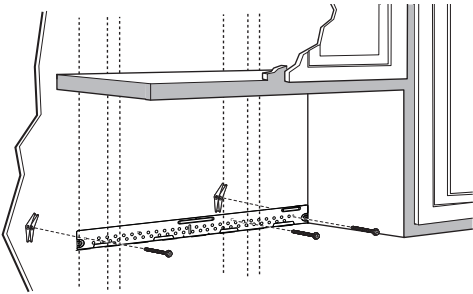
### INSTALLATION OVERVIEW

- A1. Attach Mounting Plate to Wall
- A2. Prepare Top Cabinet
- A3. Check Blower Orientation
- A4. Adapting Microwave Blower For Recirculation
- A5. Mount the Oven
- A6. Installing The Charcoal Filter



**IMPORTANT:** Do NOT remove the cardboard spacers between the heat shield and door

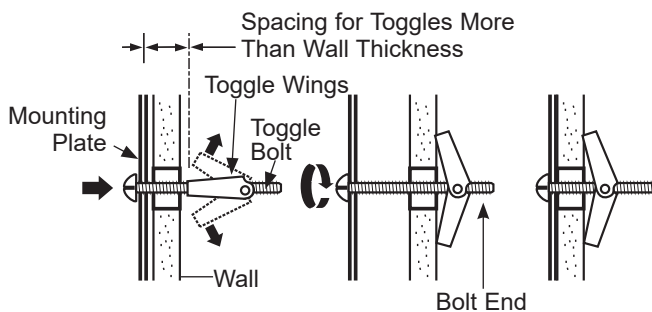
### A1 ATTACH THE MOUNTING PLATE TO THE WALL



Attach the plate to the wall using toggle bolts and wood screws. At least one wood screw must be used to attach the plate to a wall stud.

- 1 Remove the toggle wings from the bolts.
- 2 Insert the bolts into the mounting plate through the holes designated to go into drywall and reattach the toggle wings to  $\frac{3}{4}$ " onto each bolt.

#### To use toggle bolts:



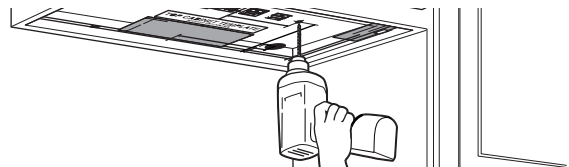
- 3 Place the mounting plate against the wall and insert the toggle wings into the holes in the wall to mount the plate.

**CAUTION** Be careful to avoid pinching fingers between the back of the mounting plate and the wall.

- 4 Tighten all bolts. Pull the plate away from the wall to help tighten the bolts.

### A2 USE TOP CABINET TEMPLATE FOR PREPARATION OF TOP CABINET

You need to drill holes for the top support screws and a hole large enough for the power cord to fit through.



- Read the instructions on the TOP CABINET TEMPLATE.
- Tape it underneath the top cabinet.
- Drill the holes, following the instructions on the TOP CABINET TEMPLATE.

**CAUTION** Wear safety goggles when drilling holes in the cabinet bottom.

# Installation Instructions

## A3. CHECK BLOWER MOTOR ORIENTATION

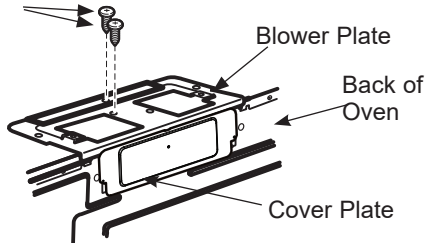
The blower fan blade opening should be facing the front of the microwave. You will have to remove the top cover plate to check the fan blade orientation. If the fan opening is already facing the front of the microwave, skip to step A5. Otherwise, continue to Step A4 to adjust the fan motor orientation.

## A4. ADAPTING BLOWER FOR RECIRCULATION

**NOTE:** The exhaust adaptor with damper is not needed for recirculating models. You may want to save them for possible future use.

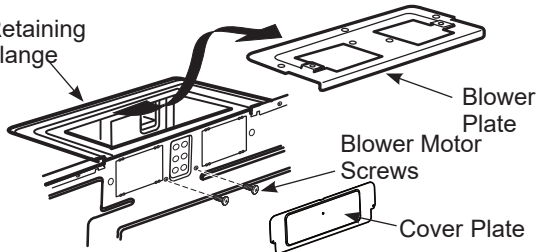
- 1 Remove and save screws that hold blower plate to the oven.

Blower Plate Screws

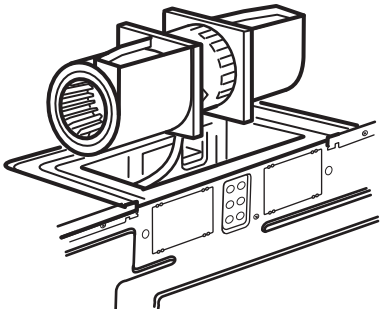


- 2 Slide the blower plate from under its retaining flange and lift it off. Remove the cover plate installed on the back. Remove and save screws that hold blower unit to the oven.

Retaining Flange

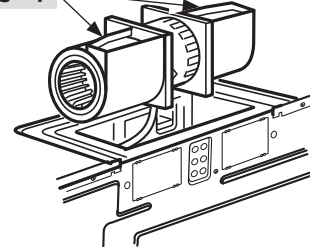


- 3 Carefully pull out the blower unit. The wires will extend far enough to allow you to adjust the blower unit.

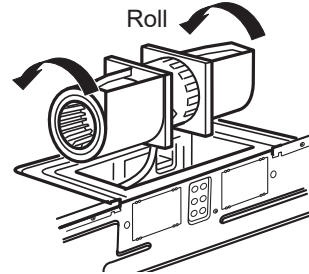


- 4 Roll the blower unit 90° so that fan blade openings are facing toward the front of the oven.

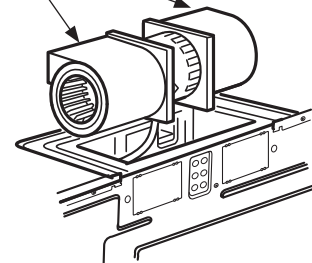
**BEFORE:** Fan Blade Openings Facing Up



Roll



**AFTER:** Fan Blade Openings Facing Forward

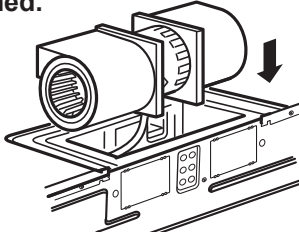


# Installation Instructions

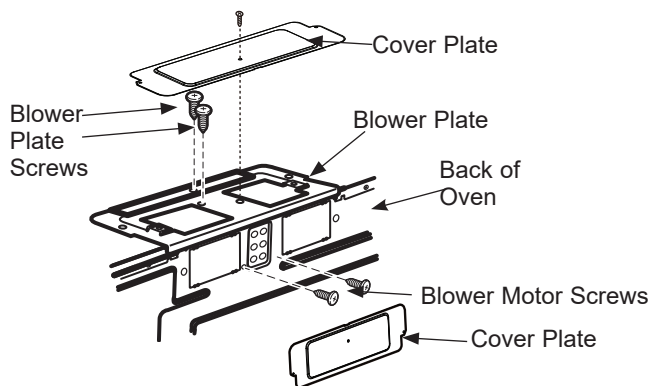
## A4. ADAPTING BLOWER FOR RECIRCULATION (continued)

- 5 Place the blower unit back into the opening.

**CAUTION** Do not pull or stretch the blower unit wiring. Make sure the wires are not pinched.

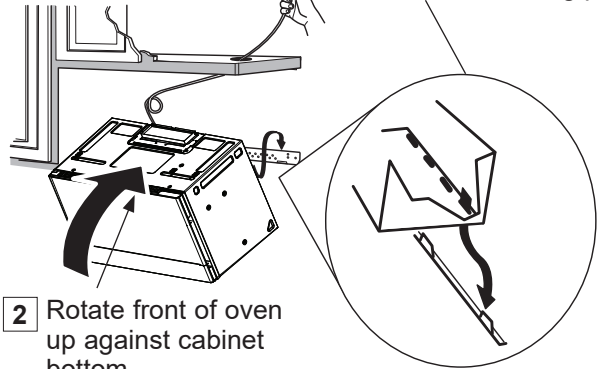


- 6 Replace blower motor screws removed in Step 2. Slide cover plate into position on the back of the unit. Replace blower plate and screws removed in Step 1. Attach second cover plate on blower plate (including one screw).

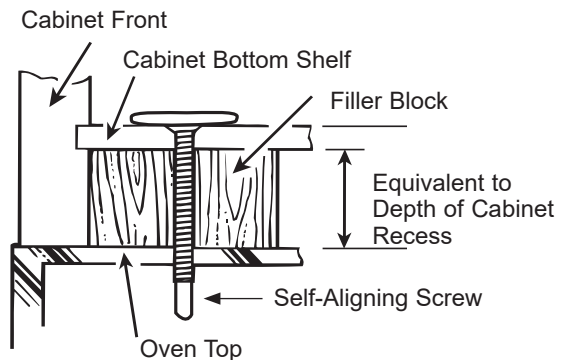


**NOTE:** When mounting the oven, thread power cord through hole in bottom of top cabinet. Keep it tight throughout Steps 1–3. Do not pinch cord or lift oven by pulling cord.

- 1 Lift oven, tilt it forward and hook slots at back bottom edge onto two lower tabs of mounting plate.



- 2 Rotate front of oven up against cabinet bottom.



## A5. MOUNT THE OVEN



FOR EASIER INSTALLATION AND PERSONAL SAFETY, WE RECOMMEND THAT **TWO PEOPLE INSTALL THIS OVEN.**

**IMPORTANT: Do not grip or use handle during installation.**

**NOTE:** If your cabinet is metal, use the nylon grommet around the power cord hole to prevent cutting of the cord.

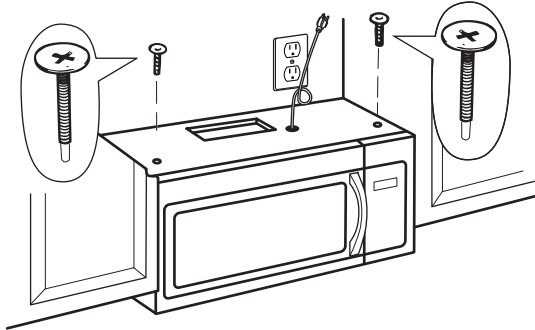
**NOTE:** We recommend using filler blocks if the cabinet front hangs below the cabinet bottom shelf.

**IMPORTANT: If filler blocks are not used, case damage may occur from over tightening screws.**

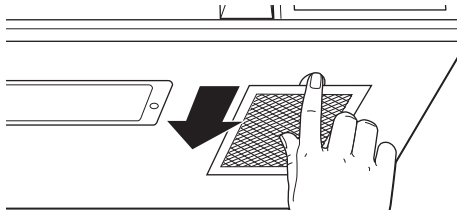
# Installation Instructions

## A5. MOUNT THE OVEN (continued)

- 3** Attach the oven to the top cabinet by inserting 2 self-aligning screws through outer top cabinet holes. Turn two full turns on each screw. **Be sure to keep power cord tight. Be careful not to pinch the cord, especially when mounting flush to bottom of cabinet.**



- 4** Tighten the two screws to the top of the oven completely. (While tightening screws, hold the oven in place against the wall and the top cabinet.)



- 5** Install grease filters. See the Owner's Manual packed with the oven.

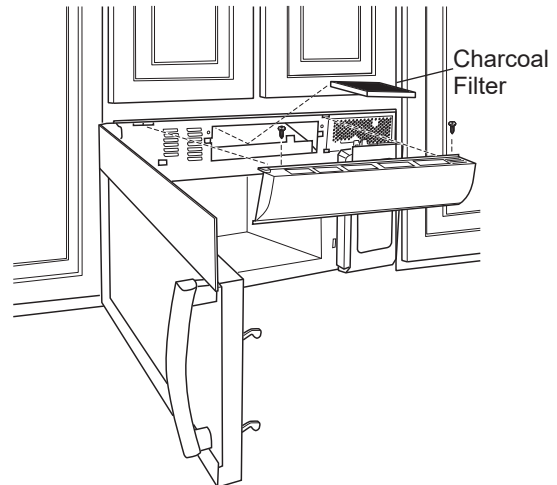
## A6. WHEN REPLACING THE CHARCOAL FILTER

If the model is not vented to the outside, the air will be recirculated through a disposable charcoal filter that helps remove smoke and odors.

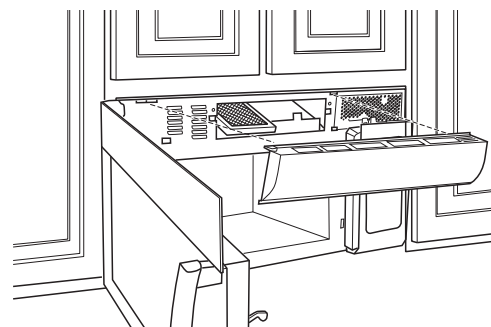
The charcoal filter should be replaced when it is noticeably dirty or discolored (usually after 6 to 12 months, depending on hood usage). See your Owner's Manual for the filter kit number.

### To replace the charcoal filter:

- 1** Open the microwave door.
- 2** Remove 2 screws from the top of the grille. (You may need to open the cabinet doors to remove the screws.)
- 3** Slide the grille to the left and forward to remove.



- 4** Slide the old filter down and out to remove it.
- 5** Remove plastic and other outer wrapping from the new filter and install the new filter. When properly installed, the wire mesh of the filter should be visible from the front.
- 6** Replace the grille and the 2 screws.
- 7** Close the door.



Insert filter mesh-side up



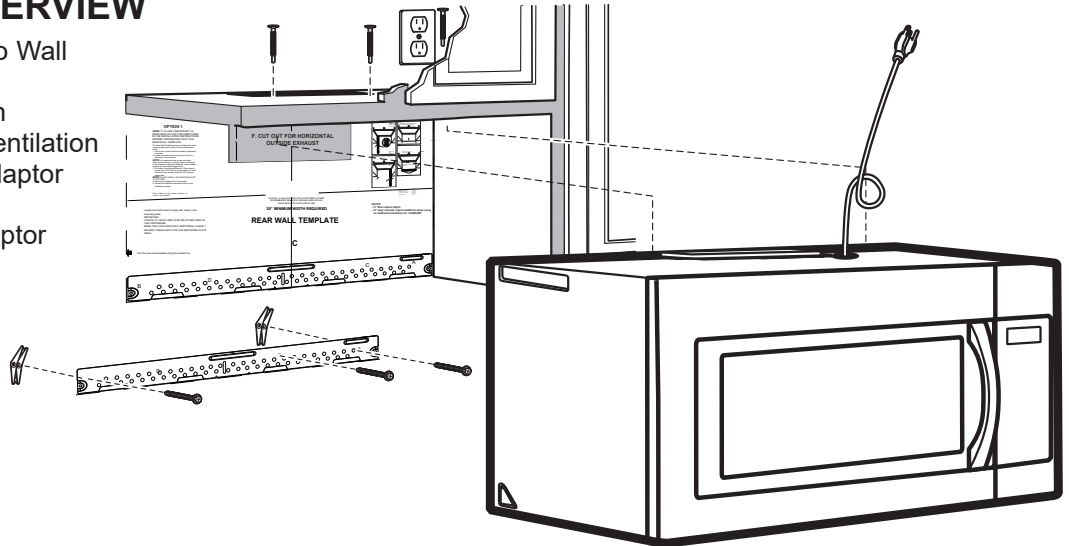
# Installation Instructions

## B

## OUTSIDE TOP EXHAUST (Vertical Duct)

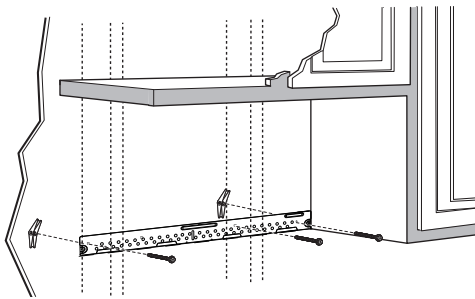
### INSTALLATION OVERVIEW

- B1. Attach Mounting Plate to Wall
- B2. Prepare Top Cabinet
- B3. Check Motor Orientation
- B4. Adapting For Outside Ventilation
- B5. Assemble and Install Adaptor
- B6. Mount the Microwave
- B7. Adjust The Exhaust Adaptor
- B8. Connecting Ductwork



**IMPORTANT:** Do NOT remove the cardboard spacers between the heat shield and door

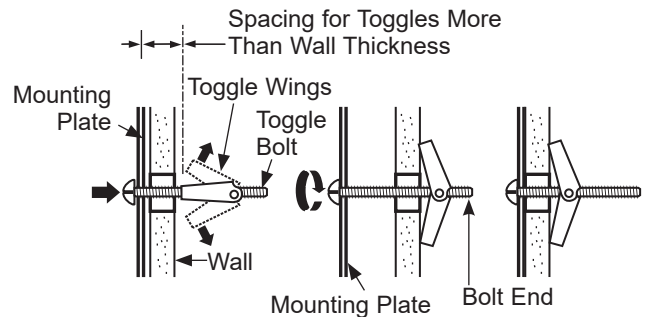
### B1 ATTACH THE MOUNTING PLATE TO THE WALL



Attach the plate to the wall using toggle bolts and wood screws. At least one wood screw must be used to attach the plate to a wall stud.

- 1 Remove the toggle wings from the bolts.
- 2 Insert the bolts into the mounting plate through the holes designated to go into drywall and reattach the toggle wings to  $\frac{3}{4}$ " onto each bolt.

### To use toggle bolts:



- 3 Insert the toggle wings into the holes in the wall and place the mounting plate against the wall.

### CAUTION

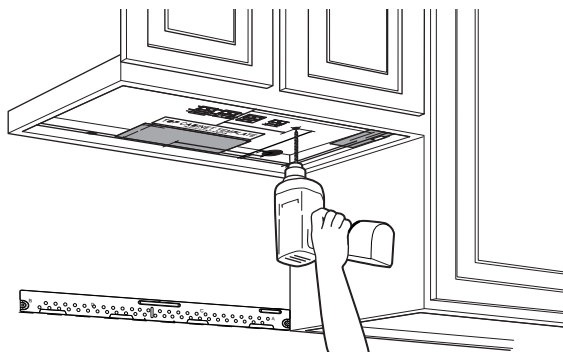
Be careful to avoid pinching fingers between the back of the mounting plate and the wall.

- 4 Tighten all bolts. Pull the plate away from the wall to help tighten the bolts.

# Installation Instructions

## B2. USE TOP CABINET TEMPLATE FOR PREPARATION OF TOP CABINET

You need to drill holes for the top support screws, a hole large enough for the power cord to fit through, and a cutout large enough for the exhaust adaptor.



- Read the instructions on the TOP CABINET TEMPLATE.
- Tape it underneath the top cabinet.
- Drill the holes, following the instructions on the TOP CABINET TEMPLATE.

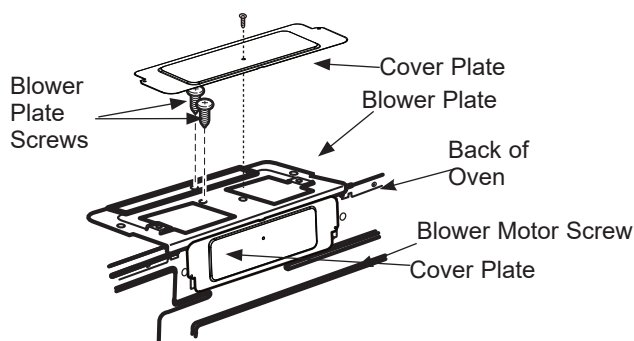
**▲ CAUTION** Wear safety goggles when drilling holes in the cabinet bottom.

## B3. CHECK BLOWER MOTOR ORIENTATION

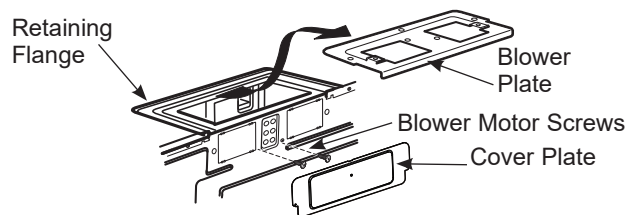
The blower fan blade opening should be facing the top of the microwave. If the fan opening is already facing the top of the microwave, skip to Step B5. Otherwise, continue to Step B4 to adjust the motor orientation.

## B4. ADAPTING BLOWER FOR OUTSIDE VENTILATION

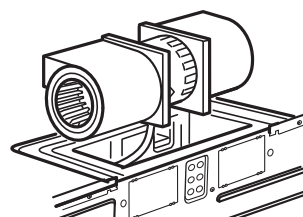
- 1 Remove the cover installed on the blower plate (including one screw). Remove and save screws holding blower plate to the oven.



- 2 Slide the blower plate from under its retaining flange and lift it off. Remove the cover plate installed on the back. Remove and save screws that hold blower unit to the oven

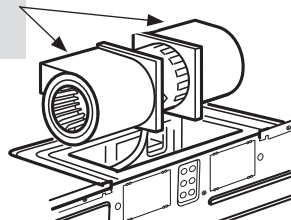


- 3 Carefully pull out the blower unit. The wires will extend far enough to allow you to adjust the blower unit.

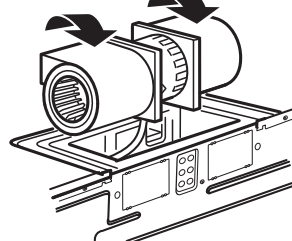


- 4 Roll the blower unit 90° so that fan blade openings are facing toward the top of the microwave.

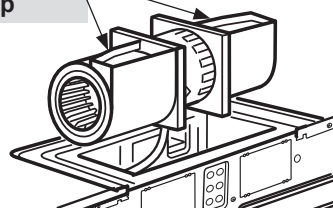
**BEFORE:** Fan Blade Openings Facing Front



Roll



**AFTER:** Fan Blade Openings Facing Up

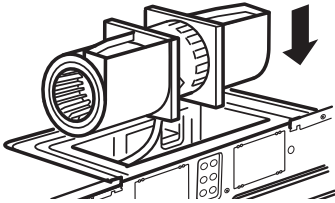


# Installation Instructions

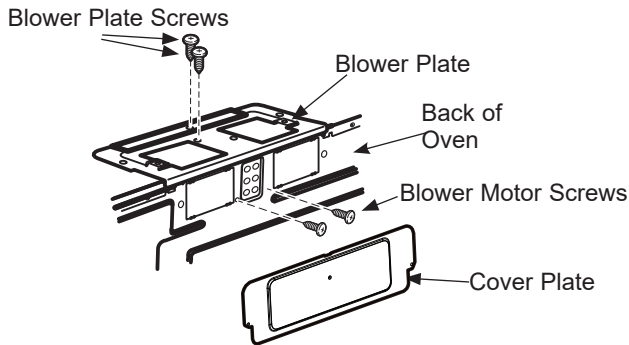
## B4. ADAPTING BLOWER FOR OUTSIDE VENTILATION (continued)

- 5 Place the blower unit back into the opening.

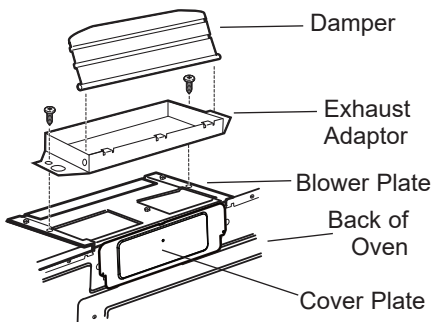
**CAUTION** Do not pull or stretch the blower unit wiring. Make sure the wires are not pinched.



- 6 Replace blower motor screws removed in Step 2. Slide cover plate into position on the back of the unit. Replace blower plate and screws removed in Step 1.



## B5. ASSEMBLE AND INSTALL ADAPTOR



**NOTE:** On some models, the exhaust adaptor and damper assembly may already be assembled to the oven.

- 1 Place the oven in its upright position, with the top of the unit facing up.  
**NOTE: Make sure the blower fan blades are visible and are pointing up.**
- 2 Insert the tabs on each side of the damper into the holes at the inside rear of the adaptor.

- 3 Attach the exhaust adaptor to the blower plate with the two bronze metal screws provided.  
**Make sure that the damper pivots easily before mounting oven.**

You will need to make adjustments to assure proper alignment with your house exhaust duct after the oven is installed.

## B6. MOUNT THE OVEN



FOR EASIER INSTALLATION AND PERSONAL SAFETY, WE RECOMMEND THAT **TWO PEOPLE INSTALL THIS OVEN.**

**IMPORTANT: Do not grip or use handle during installation.**

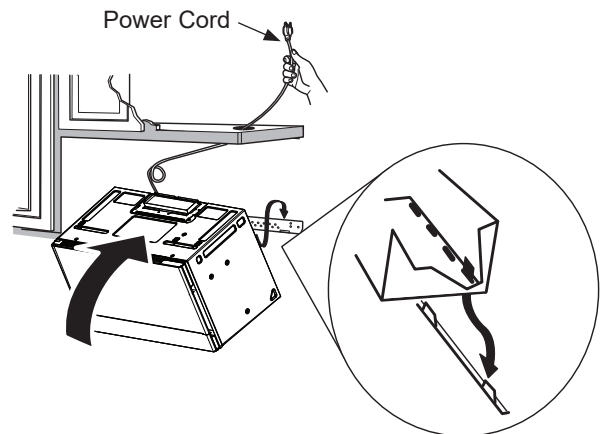
**NOTE:** If your cabinet is metal, use the nylon grommet around the power cord hole to prevent cutting of the cord.

**NOTE:** We recommend using filler blocks if the cabinet front hangs below the cabinet bottom shelf.

**IMPORTANT: If filler blocks are not used, case damage may occur from over tightening screws.**

**NOTE:** When mounting the microwave, thread power cord through hole in bottom of top cabinet. Keep it tight throughout Steps 1–3. Do not pinch cord or lift microwave oven by pulling cord.

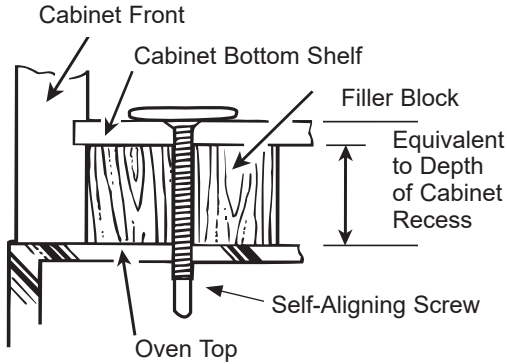
- 1 Lift microwave, tilt it forward, and hook slots at back bottom edge onto four lower tabs of mounting plate.



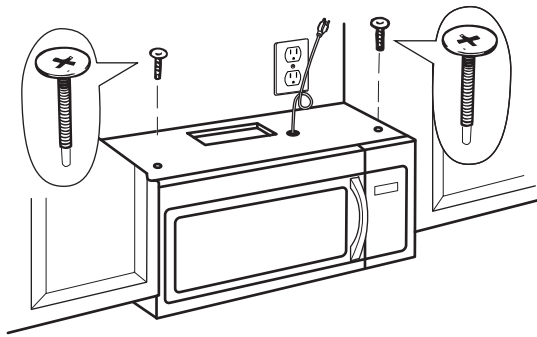
- 2 Rotate front of microwave oven up against cabinet bottom.

# Installation Instructions

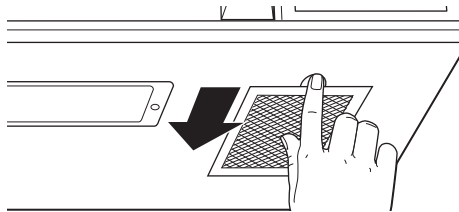
## B6. MOUNT THE OVEN (continued)



- 3 Attach the oven to the top cabinet by inserting 2 self-aligning screws through outer top cabinet holes. Turn two full turns on each screw. **Be sure to keep power cord tight. Be careful not to pinch the cord, especially when mounting flush to bottom of cabinet.**



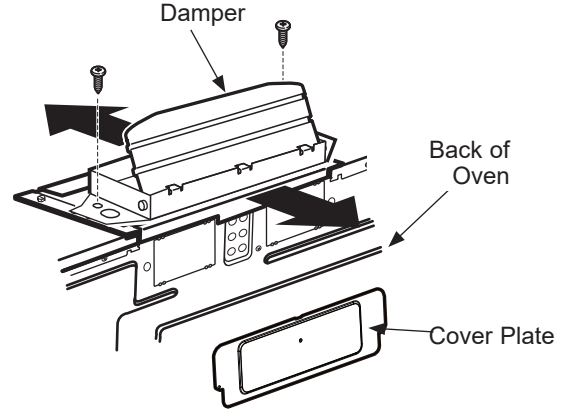
- 4 Tighten the two screws to the top of the oven completely. (While tightening screws, hold the oven in place against the wall and the top cabinet.)



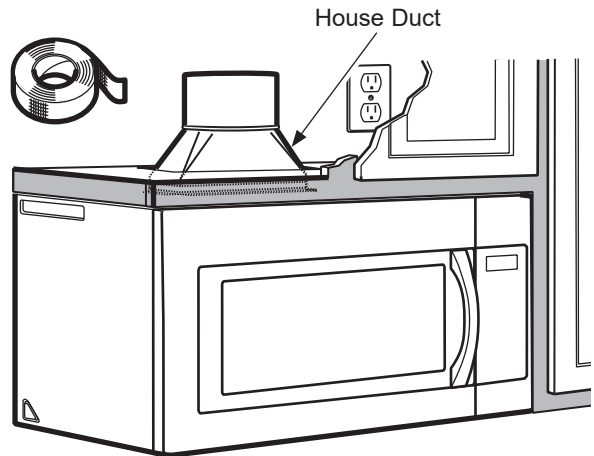
- 5 Install grease filters. See the Owner's Manual packed with the oven.

## B7. ADJUST THE EXHAUST ADAPTOR

Open the top cabinet and adjust the exhaust adaptor to connect to the house duct.



## B8. CONNECTING DUCTWORK



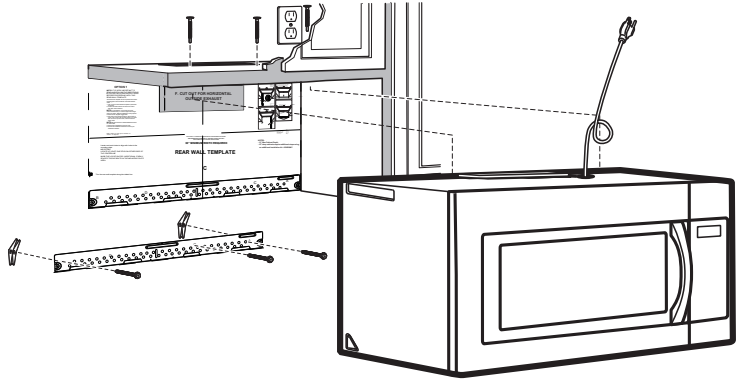
- 1 Extend the house duct down to connect to the exhaust adaptor.
- 2 Seal exhaust duct joints using duct tape.

# Installation Instructions

## C OUTSIDE BACK EXHAUST (Horizontal Duct)

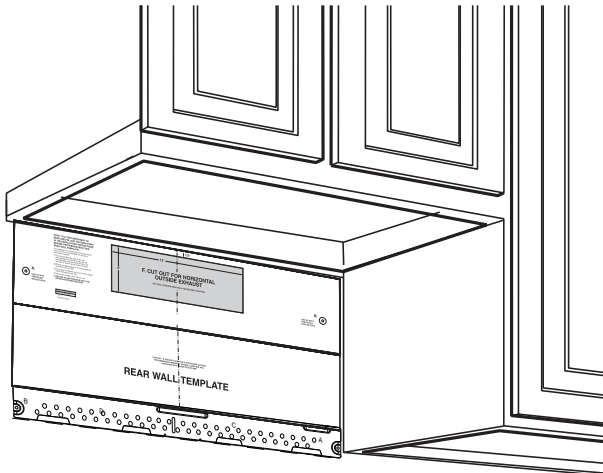
### INSTALLATION OVERVIEW

- C1. Prepare Rear Wall
- C2. Attach Mounting Plate to Wall
- C3. Prepare Top Cabinet
- C4. Adjust Blower
- C5. Mount The Oven



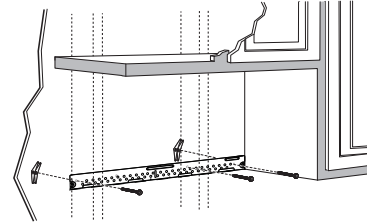
### C1 PREPARING THE REAR WALL FOR OUTSIDE BACK EXHAUST

You need to cut an opening in the rear wall for outside exhaust.



- Read the instructions on the REAR WALL TEMPLATE.
- Tape it to the rear wall, lining up with the holes previously drilled for holes A and B in the mounting plate.
- Cut the opening, following the instructions of the REAR WALL TEMPLATE.

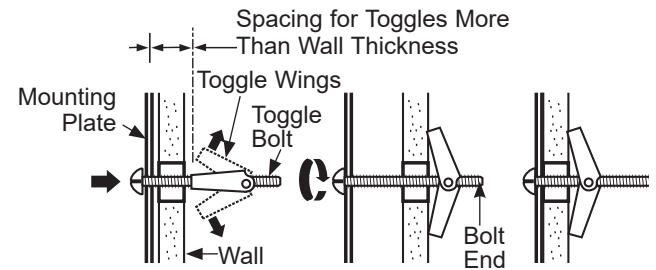
### C2 ATTACH THE MOUNTING PLATE TO THE WALL



Attach the plate to the wall using toggle bolts and wood screw. At least one wood screw must be used to attach the plate to a wall stud.

- 1 Remove the toggle wings from the bolts.
- 2 Insert the bolts into the mounting plate through the holes designated to go into drywall and reattach the toggle wings to  $\frac{3}{4}$ " onto each bolt.

#### To use toggle bolts:



- 3 Insert the toggle wings into the holes in the wall to mount the plate and place the mounting plate against the wall.

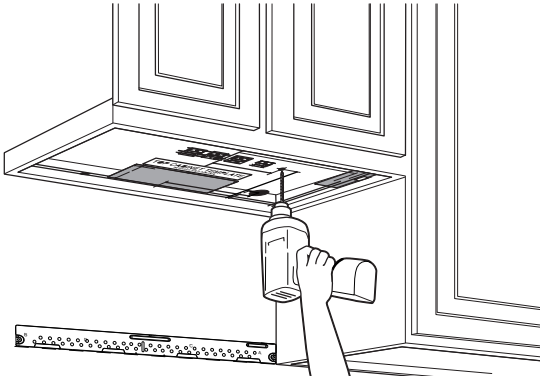
**CAUTION** Be careful to avoid pinching fingers between the back of the mounting plate and the wall.

- 4 Tighten all bolts. Pull the plate away from the wall to help tighten the bolts.

# Installation Instructions

## C3. USE TOP CABINET TEMPLATE FOR PREPARATION OF TOP CABINET

You need to drill holes for the top support screws and a hole large enough for the power cord to fit through.

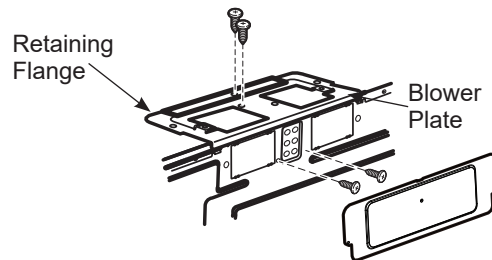


- Read the instructions on the TOP CABINET TEMPLATE.
- Tape it underneath the top cabinet.
- Drill the holes, following the instructions on the TOP CABINET TEMPLATE.

**CAUTION** Wear safety goggles when drilling holes in the cabinet bottom.

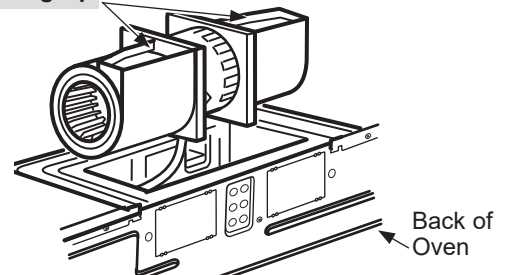
## C4. ADAPTING BLOWER FOR OUTSIDE BACK EXHAUST

- 1 Remove and save the two screws that hold the blower plate in place. Slide blower plate from under its retaining flange. Remove the cover plate installed on the back. Remove and save screws that hold blower unit to the oven

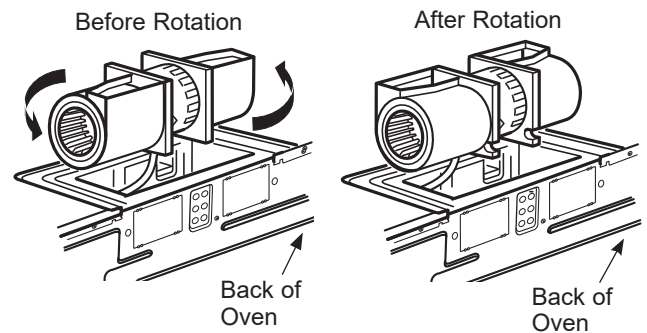


- 2 Carefully pull out the blower unit. The wires will extend far enough to allow you to adjust the blower unit.

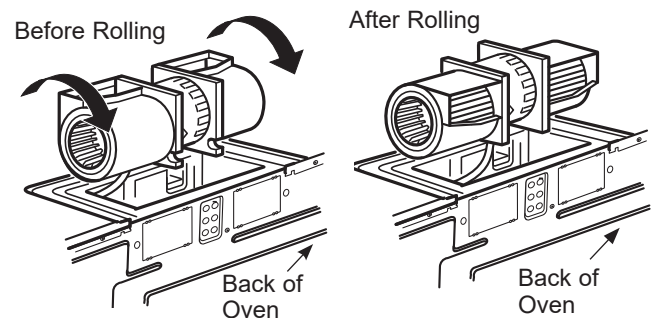
**BEFORE: Fan Blade Openings Facing Up**



- 3 Rotate blower unit counterclockwise 180°.



- 4 Roll the blower unit 90° so that fan blade openings are facing out the back of the oven.



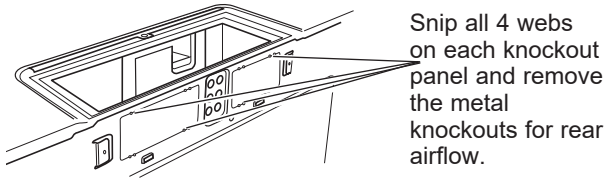


# Installation Instructions

- 5** Locate the two “knockout” plates, on the rear oven panel, near the top of the oven.  
Using tin snips, carefully cut the web area from the two holes side-by-side (that secure the knockouts to the oven). Cut all four webs on both rear knockouts; this will allow the ventilation fan airflow to exhaust out the rear of the oven.

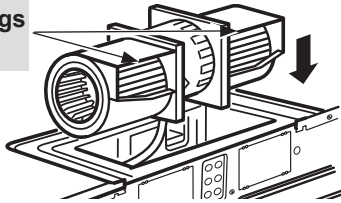
**CAUTION** Be sure to trim the sharp edges from the openings after removing the knockout plates.

Oven Rear Panel



- 6** Place the blower unit back into the opening.

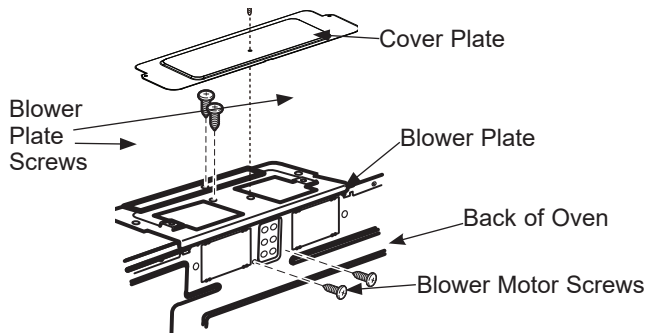
**AFTER:** Fan Blade Openings Facing Back



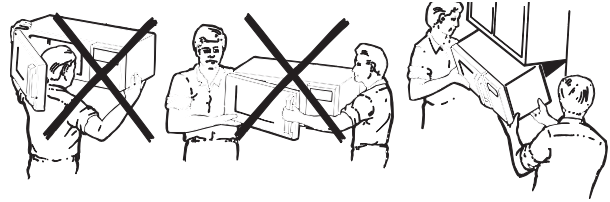
**CAUTION** Do not pull or stretch the blower unit wiring. Make sure the wires are not pinched.

**NOTE:** The blower unit exhaust openings should match exhaust openings on rear of oven.

- 7** Replace the blower plate in the same position as before and replace the screws for the blower plate and blower motor. Attach the cover on the blower plate with screw.



## C5. MOUNT THE OVEN



FOR EASIER INSTALLATION AND PERSONAL SAFETY, WE RECOMMEND THAT **TWO PEOPLE INSTALL THIS OVEN.**

**IMPORTANT:** Do not grip or use handle during installation.

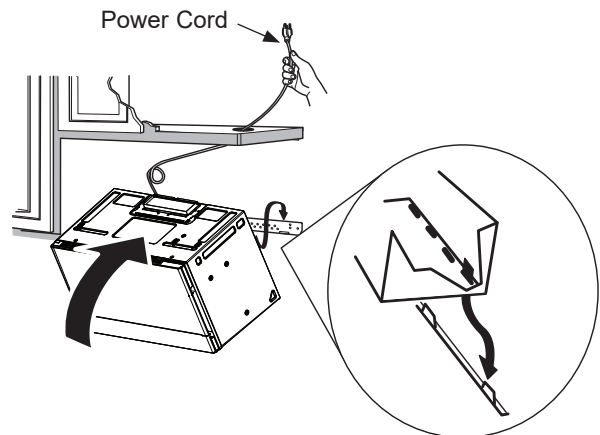
**NOTE:** If your cabinet is metal, use the nylon grommet around the power cord hole to prevent cutting of the cord.

**NOTE:** We recommend using filler blocks if the cabinet front hangs below the cabinet bottom shelf.

**IMPORTANT:** If filler blocks are not used, case damage may occur from over tightening screws.

**NOTE:** When mounting the microwave, thread power cord through hole in bottom of top cabinet. Keep it tight throughout Steps 1–3. Do not pinch cord or lift microwave oven by pulling cord.

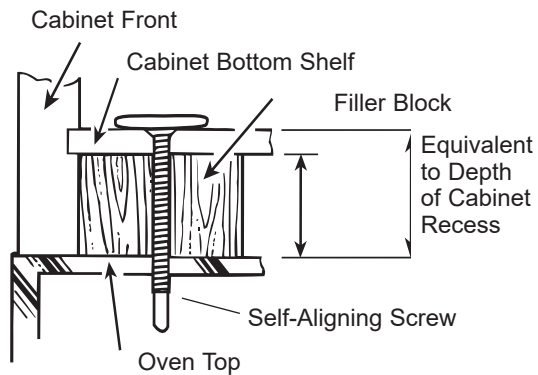
- 1** Lift microwave, tilt it forward, and hook slots at back bottom edge onto four lower tabs of mounting plate.



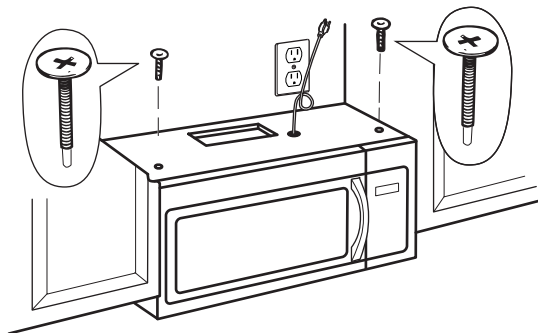
- 2** Rotate front of microwave oven up against cabinet bottom.



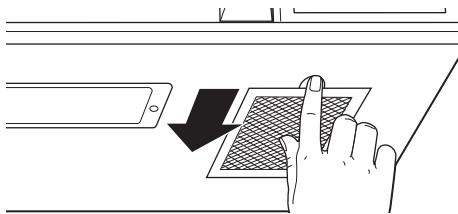
# Installation Instructions



- 3 Attach the oven to the top cabinet by inserting 2 self-aligning screws through outer top cabinet holes. Turn two full turns on each screw. **Be sure to keep power cord tight. Be careful not to pinch the cord, especially when mounting flush to bottom of cabinet.**



- 4 Tighten the two screws to the top of the oven completely. (While tightening screws, hold the oven in place against the wall and the top cabinet.)



- 5 Install grease filters. See the Owner's Manual packed with the oven.

# Installation Instructions

## BEFORE YOU USE YOUR MICROWAVE

- 1.** Make sure the microwave oven has been installed according to instructions.



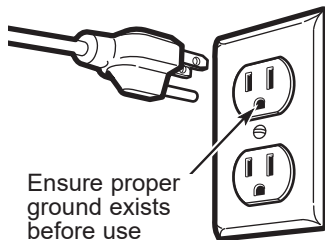
- 2.** Remove all packing material from the microwave oven.

- 3.** Install turntable and ring in cavity.

- 4.** Replace house fuse or turn breaker back on.

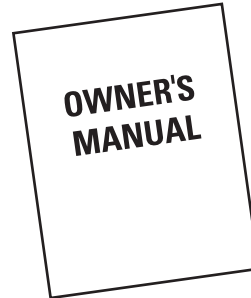


- 5.** Plug power cord into a dedicated 15- to 20-amp electrical outlet.



Ensure proper ground exists before use

- 6.** Read the Owner's Manual.



- 7.** KEEP INSTALLATION INSTRUCTIONS FOR THE LOCAL INSPECTOR'S USE.



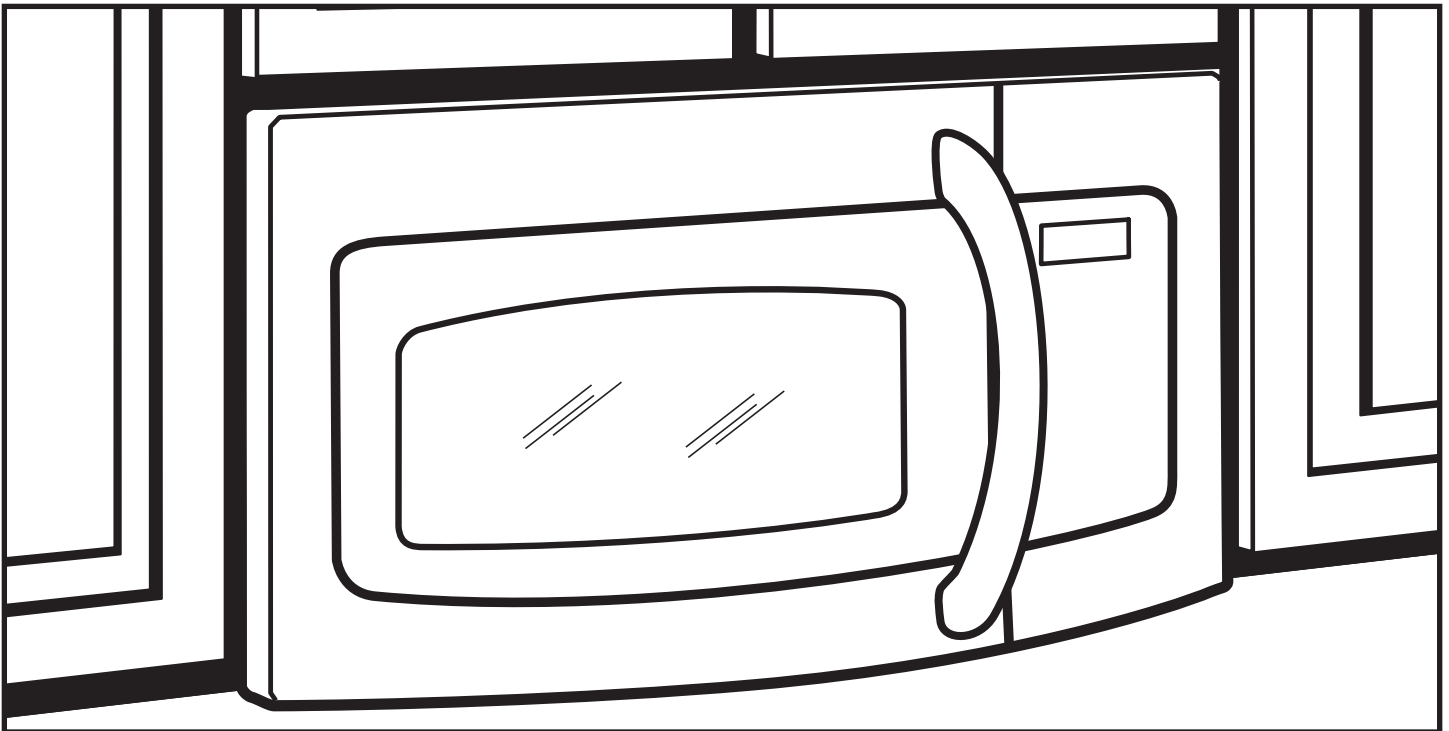
# Instrucciones de instalación

# Horno microondas para colocar encima de la estufa

## ANTES DE EMPEZAR

Lea estas instrucciones completa y cuidadosamente.

- **IMPORTANTE** — Guarde estas instrucciones para el uso del inspector local.
- **IMPORTANTE** — Cumpla con todos los códigos y ordenanzas gubernamentales.
- **Nota para el instalador** — Asegúrese de dejar estas instrucciones con el consumidor.
- **Nota para el consumidor** — Guarde estas instrucciones para futura referencia.
- **Nivel de destrezas** — La instalación de este aparato requiere de destrezas básicas de mecánica y electricidad.
- La instalación apropiada es responsabilidad del instalador.
- La falla del producto debido a una instalación inapropiada no está cubierta por la garantía.



**LEA CUIDADOSAMENTE.  
GUARDE ESTAS INSTRUCCIONES.**



MFL59060938

31-7000091 Rev. 3 05-23 GEA

# Instrucciones de Instalación

## INSTRUCCIONES DE SEGURIDAD IMPORTANTES

**!** Éste es el símbolo de alerta de seguridad. El mismo alerta sobre potenciales riesgos que le pueden producir la muerte o lesiones tanto a usted como a otras personas. Todos los mensajes de seguridad estarán a continuación del símbolo de alerta de seguridad y con la palabra “PELIGRO”, “ADVERTENCIA” o “PRECAUCIÓN”. Estas palabras se definen como:

### **▲ PELIGRO**

Indica una situación de riesgo que, si no se evita, **producirá** la muerte o lesiones graves.

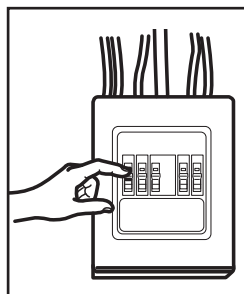
### **▲ ADVERTENCIA**

Indica una situación de riesgo que, si no se evita, **podría** producir la muerte o lesiones graves.

### **▲ PRECAUCIÓN**

Indica una situación de riesgo que, si no se evita, **podría** resultar en lesiones menores o moderadas.

Este producto requiere un tomacorriente eléctrico de tres patas conectado a tierra. El instalador debe llevar a cabo una inspección de continuidad a tierra en la caja eléctrica antes de comenzar la instalación para asegurar que la caja tomacorriente está conectada a tierra de manera apropiada. Si no lo está, o si el tomacorriente no cumple con los requisitos eléctricos indicados (bajo la sección REQUISITOS ELÉCTRICOS), se deberá recurrir a un técnico calificado para corregir cualquier deficiencia.



### **▲ ADVERTENCIA**

**Riesgo de Descarga Eléctrica. Para seguridad personal, remueva el fusible de la casa o abra el interruptor de circuito antes de comenzar la instalación para evitar descargas eléctricas severas o fatales.**



Asegúrese de contar con una conexión a tierra adecuada antes de usar.

### **▲ ADVERTENCIA**

**Riesgo de Descarga Eléctrica. Puede ocasionar lesiones o la muerte: ESTE ELECTRODOMÉSTICO SE DEBE CONECTAR A TIERRA DE FORMA CORRECTA a fin de evitar descargas severas o mortales.**

El cable de corriente de este electrodoméstico contiene un enchufe de 3 patas (conexión a tierra) que se conecta a un tomacorriente de pared estándar de 3 cables (conexión a tierra) para minimizar la posibilidad de riesgos de descargas eléctricas por parte del mismo.

Cuando se encuentre un tomacorriente de pared de dos enchufes, se deberá reemplazar por uno conectado a tierra de forma adecuada de tres cables, y deberá ser instalado por un electricista calificado.

### **▲ ADVERTENCIA**

**Riesgo de Descarga Eléctrica. Puede ocasionar lesiones o la muerte: NUNCA, bajo ninguna circunstancia, corte, deforme o elimine ninguna de las puntas de los cables de corriente. No use un prolongador. Si no se cumple con esto, se podrán producir incendios.**

## REQUISITOS ELÉCTRICOS

La clasificación del producto es de 120 vatios CA (AC), 60 hertz, 14.5 amperios, y 1.7 kilovatios. Este producto debe estar conectado a un circuito de suministro del voltaje y frecuencia apropiados. El tamaño del alambre debe conformarse a los requisitos del National Electric Code o al código local en efecto para este índice de kilovatios. El cable eléctrico de alimentación y el interruptor deberán llevarse a un tomacorriente único conectado a tierra de 15 a 20 amperios. La caja del tomacorriente deberá estar localizada en el gabinete encima del horno. La caja del tomacorriente debe ser instalada por un electricista calificado y debe conformarse al National Electrical Code o al código local en efecto.

### **▲ PRECAUCIÓN**

**Por razones de seguridad, la superficie de montaje deberá poder soportar la carga del gabinete, sumado al peso agregado de este producto de entre 63 y 85 libras, además de cargas adicionales en el horno de hasta 50 libras o un peso total de entre 113 y 135 libras.**

### **▲ PRECAUCIÓN**

**Por razones de seguridad, este producto no se puede instalar en arreglos de gabinete tales como una isla o península. Se debe montar TANTO a un gabinete superior COMO a una pared.**

### **▲ PRECAUCIÓN**

**A fin de evitar el riesgo de lesión personal (lesión en la espalda u otras lesiones debido a peso excesivo del horno de microondas) o daños sobre el producto, deberá contar con la ayuda de dos personas para instalar este horno de microondas.**

# Instrucciones de Instalación

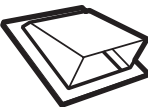


## CAMPANA DE ESCAPE

**NOTA:** Lea las siguientes dos páginas solamente si planea ventilar el escape hacia el exterior. Si por el contrario planea recircular el aire de vuelta hacia el salón, continúe en la página 30.

### ESCAPE SUPERIOR EXTERNO (EJEMPLO SOLAMENTE)

La siguiente tabla describe un ejemplo de una posible instalación de red de conductos.






PARTES DEL CONDUCTO		LONGITUD EQUIVALENTE	x	NÚMERO USADO	=	LONGITUD EQUIVALENTE
	Tapa del techo	24 pies	x	(1)	=	24 pies
	Conducto recto de 12 pies (redondo de 6")	12 pies	x	(1)	=	12 pies
	Adaptador de transición de rectángulo a redondo*	5 pies	x	(1)	=	5 pies
La longitud de las partes de los conductos equivalentes está basada en pruebas reales y reflejan los requisitos para lograr una buena ventilación con cualquier campana de escape. <b>Longitud total =</b>						<b>41 pies</b>

**\*IMPORTANTE:** Si se usa un adaptador de transición de rectángulo a redondo, las esquinas del fondo del regulador de tiros deberán cortarse para que encajen, usando las tijeras de corte, para permitir el movimiento libre del regulador de tiros.

### ESCAPE POSTERIOR EXTERNO (EJEMPLO SOLAMENTE)

La siguiente tabla describe un ejemplo de una posible instalación de red de conductos.



PARTES DEL CONDUCTO		LONGITUD EQUIVALENTE	x	NÚMERO USADO	=	LONGITUD EQUIVALENTE
	Tapa de pared	40 pies	x	(1)	=	40 pies
	Conducto recto de 3 pies (rectangular de 3¼" x 10")	3 pies	x	(1)	=	3 pies
	Codo de 90°	10 pies	x	(2)	=	20 pies
La longitud de las partes de los conductos equivalentes está basada en pruebas reales y reflejan los requisitos para lograr una buena ventilación con cualquier campana de escape. <b>Longitud total =</b>						<b>63 pies</b>

**NOTA:** Para el escape posterior, se debe tener cuidado al alinear el escape entre los espacios de los postes de viga de la pared, o la pared debería ser preparada en el momento de su construcción dejando suficiente espacio entre los postes de viga de la pared para acomodar el escape.

# Instrucciones de Instalación

**NOTA:** Si usted necesita instalar conductos, tenga pendiente que la longitud total del conducto rectangular de 3¼" x 10" o el conducto redondo de 6" de diámetro **no debe sobrepasar 140 pies equivalentes**.

La ventilación externa requiere un CONDUCTO DE CAMPANA DE ESCAPE. Lea lo siguiente cuidadosamente.

**NOTA:** Es importante que la ventilación sea instalada usando la ruta más directa y con la menor cantidad de codos posible. Esto asegura la ventilación del escape y ayuda a prevenir bloqueos. También, cerciórese de que el regulador de tiro pende libremente y nada bloquea los conductos.

## Conexiones de escape:


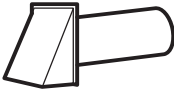


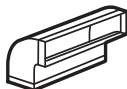
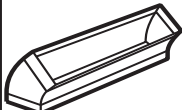
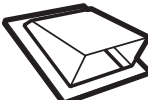

La campana de escape ha sido diseñada para encajar con un conducto rectangular de 3¼" x 10" estándar.

Si un conducto redondo es necesario, se debe usar un adaptador de transición de rectangular a redondo. **No use un conducto menor de 6" de diámetro.**

## Longitud máxima del conducto:

Para lograr un movimiento satisfactorio del aire, la longitud total del conducto rectangular de 3¼" x 10" o el conducto redondo de 6" de diámetro **no debe sobrepasar 140 pies equivalentes**.

**Los codos, transiciones, paredes y tapas de techo, etc.,** presentan resistencia adicional al flujo de aire y son equivalentes a una sección de conducto recto el cual es más largo que su tamaño físico real. Cuando calcule la longitud total del conducto, agregue las longitudes equivalentes de todas las transiciones y adaptadores, más la longitud de todas las secciones de conducto rectas. La tabla más adelante muestra cómo puede calcular la longitud aproximada de la red de conductos usando pies aproximados de longitudes equivalentes de algunos conductos típicos.

PARTES DE CONDUCTO		LONGITUD EQUIVALENTE	x	NÚMERO USADO	=	LONGITUD EQUIVALENTE
	Adaptador de transición de rectángulo a redondo*	5 pies	x	( )	=	pies
	Tapa de pared	40 pies	x	( )	=	pies
	Codo de 90°	10 pies	x	( )	=	pies
	Codo de 45°	5 pies	x	( )	=	pies
	Codo de 90°	25 pies	x	( )	=	pies
	Codo de 45°	5 pies	x	( )	=	pies
	Tapa de techo	24 pies	x	( )	=	pies
	Conducto recto de 6" redondo o rectangular de 3¼" x 10"	1 pies	x	( )	=	pies



\* **IMPORTANTE:** Si se usa un adaptador de transición de rectángulo a redondo, las esquinas del fondo del regulador de tiros deberán ser cortadas para que encajen, usando las tijeras de corte, para permitir el movimiento libre del regulador de tiros.


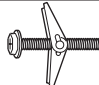




La longitud de las partes de conductos equivalentes está basada en pruebas reales y reflejan los requisitos para lograr una buena ventilación con cualquier campana de escape.

# Instrucciones de Instalación

## DAÑO – ENVÍO/ INSTALACIÓN

- Si la unidad se daña durante el envío, devuelva la unidad a la tienda donde fue comprada para su reparación o reemplazo.
- Si la unidad es dañada por el cliente, la reparación o reemplazo es responsabilidad del cliente.
- Si la unidad es dañada por el instalador (si no es el cliente), la reparación o reemplazo deberá ser realizado por arreglo entre el cliente y el instalador.

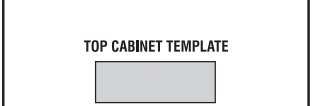




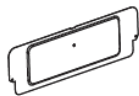
## PARTES INCLUIDAS PAQUETE DE PIEZAS

PARTE		CANTIDAD
	Tornillos de Madera (3/16" x 2")	2
	Tornillos con resorte y tuercas mariposa (1/4" x 3")	4
	Tornillo de Máquina con Auto Alineación (1/4"-28 x 3-1/4")	3
	Arandela Aislante de Nylon (para gabinetes metálicos)	2
	Tornillos de rosca (para conectar el conector del conducto del amortiguador)	2-3
	Una abrazadera del cable de corriente y un tornillo de montaje de color oscuro (para sostener el cable de corriente)	1

Encontrará las piezas de instalación dentro de un paquete con la unidad. Asegúrese de que se encuentren todas las piezas.

**NOTA:** Se incluyen algunas piezas adicionales.

## PARTES INCLUIDAS PIEZAS ADICIONALES

PARTE		CANTIDAD
	Plantilla del Gabinete Superior	1
	Plantilla de la Pared Trasera	1
	Instrucciones de Instalación	1
	Filtros de Grasa	2
	Placa de montaje (para soportar el horno de microondas)	1
	Placa de cubierta (para instalación de ventilación de habitación) incluida en algunos modelos	1



# Instrucciones de Instalación

## HERRAMIENTAS NECESARIAS



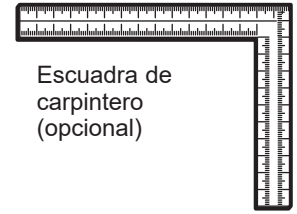
Destornillador Phillips n°1 y n°2



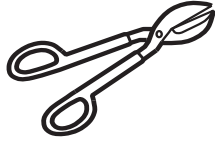
Lápiz



Regla o cinta métrica y extremo recto



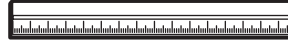
Escuadra de carpintero (opcional)



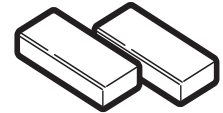
Tijeras para hojalata (para cortes en reguladores, si se requiere)



Tijeras (para cortar plantillas, si es necesario)



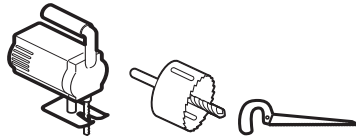
Regla o cinta métrica y extremo recto



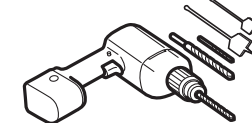
Bloques de llenado o piezas de fragmentos de madera, si son necesarios para para generar espacio en el gabinete superior (usados en instalaciones de gabinetes inferiores ahuecados únicamente)



Guantes



Sierra (sable, agujero o cerradura)



Taladro eléctrico con brocas de 3/15", 7/16", 1/2", y 5/8"



Gafas de seguridad



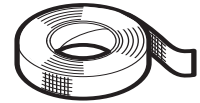
Nivel



Detector de montantes

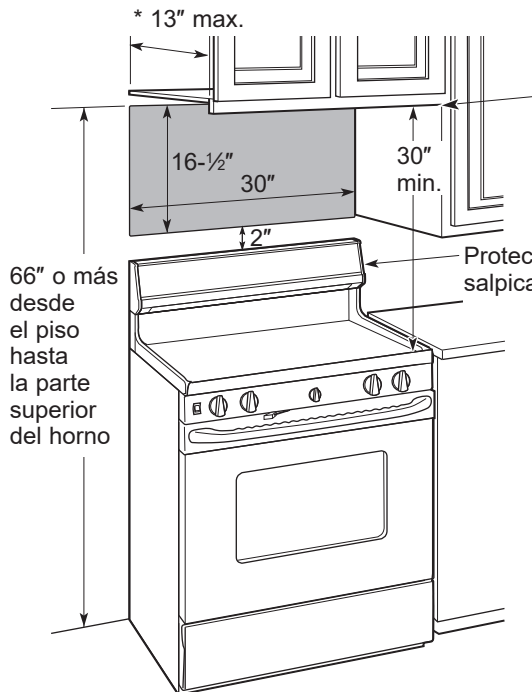


Martillo (opcional)



Cinta para conductos y de mascarar

## ESPACIO DE MONTAJE



El extremo del fondo del gabinete necesita estar a 30" o más a partir de la superficie de la estufa

Protector posterior de salpicaduras

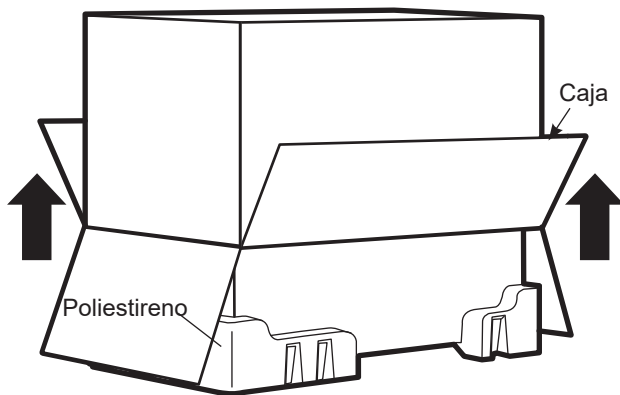
- El espacio entre los gabinetes debe ser de 30" de ancho y debe estar libre de obstrucciones.
- Este horno es para ser instalado por encima de estufas hasta 36" de ancho.
- Si el espacio entre los gabinetes es mayor a 30", se puede usar un Kit de panel de relleno para llenar el espacio entre el horno de microondas y los gabinetes. Su manual del propietario contiene el número de kit para su modelo.
- Si usted se dispone a ventilar su horno hacia el exterior, ver la Sección de Campana de Escape para la preparación del conducto de escape.
- Cuando se instale el horno debajo de gabinetes de fondos lisos y planos, tenga cuidado de seguir cuidadosamente las instrucciones en la plantilla del gabinete superior para el espacio de tolerancia del cable eléctrico.
- \* **Máx. de 13": para una instalación estándar, una profundidad del gabinete de 15" requiere pasos adicionales utilizando el kit de instalación adicional JX15BUMPWW/BB.**
- Para modelos con hoyos de ventilación superiores: No permita que el gabinete u otros objetos bloqueen el flujo de aire de la ventilación.
- Este microondas es apto para su instalación sobre electrodomésticos de cocción eléctrica o a gas con un BTU combinado de 63,000 BTU o menos.
- Los electrodomésticos de cocción a gas de la marca Café sólo se deberán instalar en combinación con un microondas sobre la estufa de la marca Café.
- Los electrodomésticos de cocción a gas de la marca Monogram sólo se deberán instalar en combinación con un microondas sobre la estufa de la marca Monogram.
- Los electrodomésticos de cocción a gas de la marca Monogram con un BTU combinado superior a 66,000 BTU no se deberán emparejar con un microondas sobre la estufa.

# Instrucciones de Instalación

## 1 CÓMO COLOCAR EL PLATO DE MONTAJE

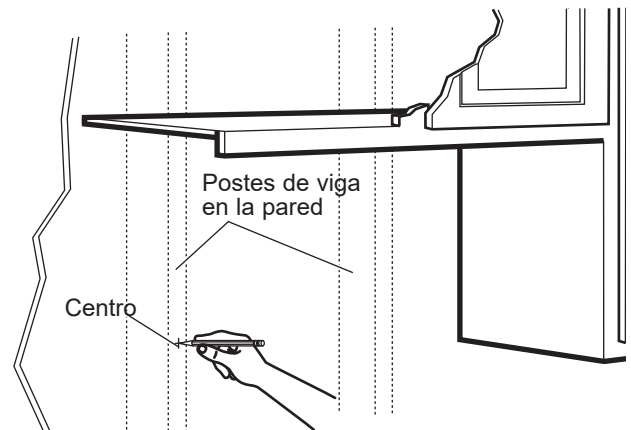
### A. CÓMO REMOVER EL HORNO DEL EMBALAJE / CÓMO REMOVER EL PLATO DE MONTAJE

- 1 Remueva la caja que contiene las instrucciones de instalación, los filtros, el adaptador de escape, el regulador de tiro, estante y la pequeña bolsa con los elementos de instalación. No remueva la espuma de poliestireno que protege el frente del horno.
- 2 Pliegue hacia atrás las alas de la caja. Luego, cuidadosamente ruede el horno hasta que quede apoyado sobre la parte superior. El horno deberá descansar sobre la espuma de poliestireno.



- 3 Tire de la caja hacia arriba y retírela del horno.
- 4 Ubique el horno de forma erguida. Retire y de forma apropiada descarte las bolsas de plástico y el embalaje de gomaespuma.

### B. CÓMO ENCONTRAR LOS POSTES DE VIGA EN LA PARED



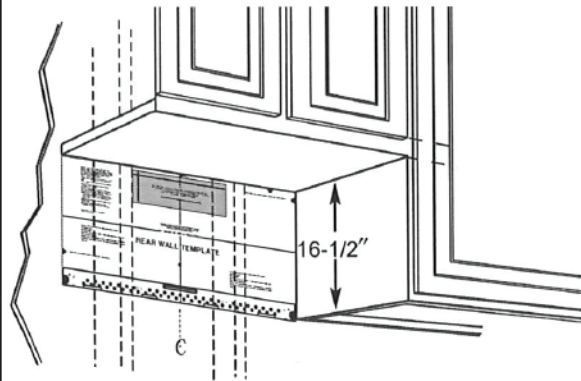
- 1 Encuentre los postes, usando uno de los métodos siguientes:
  - A. Use un detector de postes – un dispositivo magnético que localiza clavos.
  - B. Use un martillo para golpear ligeramente a través de la superficie de montaje hasta encontrar un sonido sólido. Esto indicará que hay un poste de viga en ese lugar.
- 2 Después de localizar el poste o los postes de viga, encuentre el centro mediante el análisis de la pared usando un clavo pequeño para darse cuenta de dónde están los bordes del poste. Luego coloque una marca en el centro de los bordes. El centro de cualquier poste adyacente deberá ser entre 16" ó 24" desde esta marca.
- 3 Trace una línea hacia abajo indicando el centro del poste.

**EL HORNO DEBE CONECTARSE POR LO MENOS A UN POSTE DE LA PARED.**

# Instrucciones de Instalación

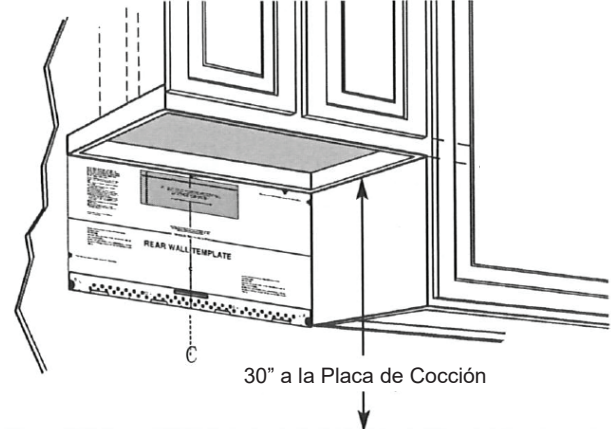
## C DETERMINACIÓN DE LA UBICACIÓN DE LA PLACA DE MONTAJE DEBAJO DE SU GABINETE

### Posición de la Placa – debajo del gabinete inferior plano



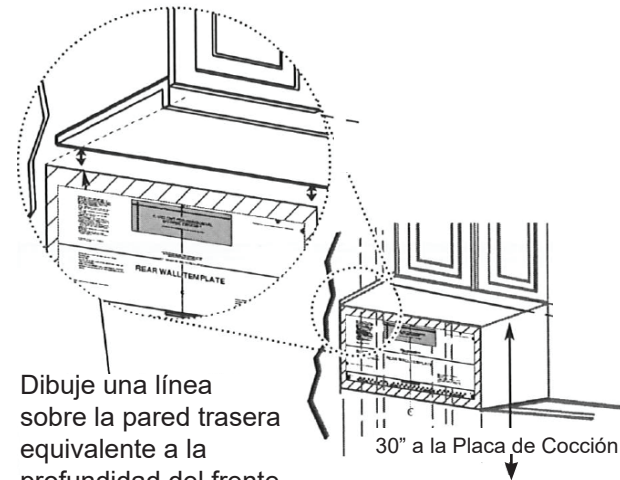
Dibuje una línea vertical en la pared en el centro del espacio de 30" de ancho. Encinte la Plantilla de la Pared Trasera sobre la pared que coincide con la línea central y que toca la parte inferior del gabinete.

### Posición de la Placa – debajo del gabinete inferior empotrado con marco



Dibuje una línea vertical en la pared en el centro del espacio de 30". Encinte la Plantilla de la Pared Trasera sobre la pared que coincide con la línea central y que toca la parte inferior del marco del gabinete.

### Posición de la Placa – debajo del gabinete inferior empotrado con frente saliente



Dibuje una línea sobre la pared trasera equivalente a la profundidad del frente saliente.

Es posible que sus gabinetes posean bordes decorativos que interfieran con la instalación del horno microondas. Retire el borde decorativo para instalar el horno microondas de forma adecuada y para que quede nivelado.

### EL HORNO MICROONDAS DEBERÁ ESTAR NIVELADO

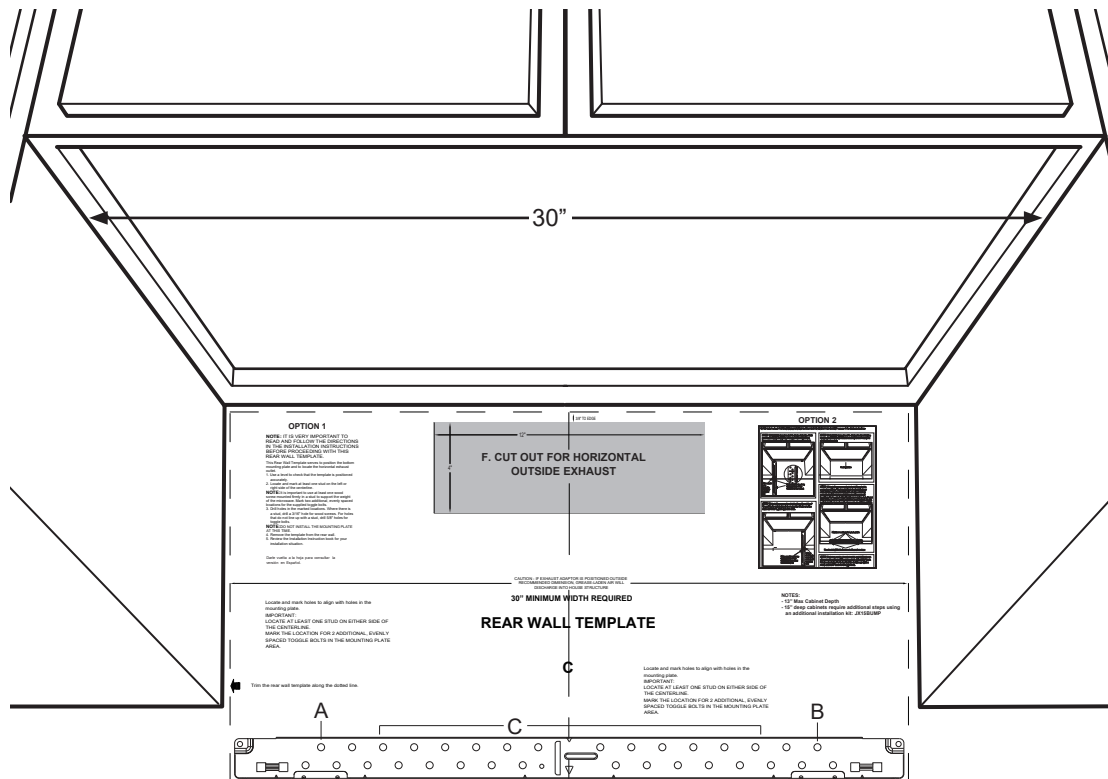
Use un nivel para asegurarse de que la parte inferior del gabinete esté nivelada.

Si los gabinetes cuentan con un solo frente saliente, sin marco trasero ni lateral, instale la placa de montaje a la misma distancia que la profundidad del frente saliente. Esto mantendrá el horno microondas nivelado.

- 1 Mida la profundidad interna del frente saliente.
- 2 Dibuje una línea horizontal en la pared trasera que posea la misma distancia debajo de la parte inferior del gabinete que la profundidad interior del frente saliente.
- 3 Dibuje una línea horizontal en la pared trasera que posea la misma distancia debajo de la parte inferior del gabinete que la profundidad interior del frente saliente.

# Instrucciones de Instalación

## D MARCA DE LOS AGUJEROS DE MONTAJE OPCIÓN 1: USE LA PANTILLA DE PAPEL DE LA PARED TRASERA



### ⚠ PRECAUCIÓN

Use guantes para evitar cortes de dedos en extremos puntiagudos.

### ⚠ ADVERTENCIA

**Riesgo de Descarga Eléctrica. Puede ocasionar lesiones o la muerte. Deberá tener cuidado de no taladrar sobre cables eléctricos dentro de paredes o gabinetes.**

Esta Plantilla de la Pared Trasera sirve para ubicar los agujeros de montaje de la placa de montaje inferior y para ubicar la salida horizontal del escape.

1. Use un nivel para controlar que la plantilla esté posicionada de forma correcta.
2. Ubique y marque por lo menos un montaje sobre el lado izquierdo o derecho de la línea central.

**NOTA:** Es importante usar por lo menos un tornillo de madera montado de manera firme en un montaje para sostener el peso del horno microondas.

3. Marque la ubicación del agujero en la pared usando la plantilla en los agujeros A y B. Marque al menos una ubicación de agujero en el área C que se alinee con la ubicación de un perno. Se debe utilizar un mínimo de tres agujeros para el montaje.

4. Perfore agujeros en las ubicaciones marcadas. Donde haya un montaje, haga un agujero de 3/16" para tornillos de madera. Para aquellos agujeros que no estén alineados con un montaje, haga agujeros de 5/8" para tornillos con resorte.

**NOTA: NO INSTALE LA PLACA DE MONTAJE EN ESTE MOMENTO.**

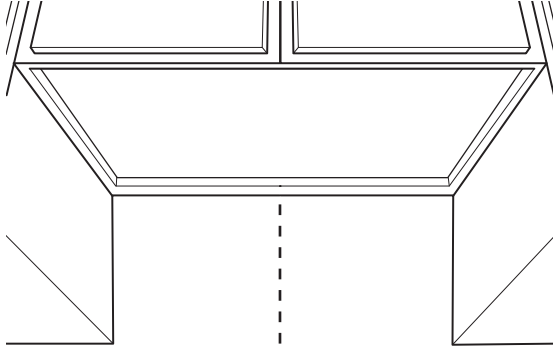
5. Retire la plantilla de la pared trasera.

# Instrucciones de Instalación

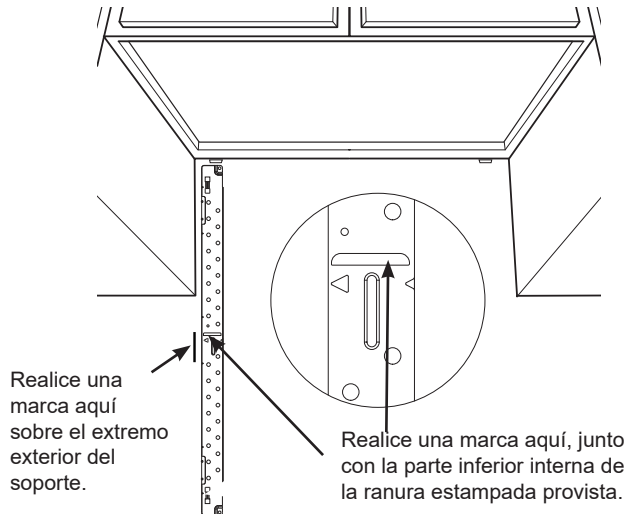
## D MARCA DE LOS AGUJEROS DE MONTAJE OPCIÓN 2: USE EL SOPORTE METÁLICO COMO PLANTILLA

NOTA: Para acceder a instrucciones de alineación, consulte el paso C "DETERMINACIÓN DE LA UBICACIÓN DE LA PLACA DE MONTAJE DEBAJO DE SU GABINETE" en la página 8.

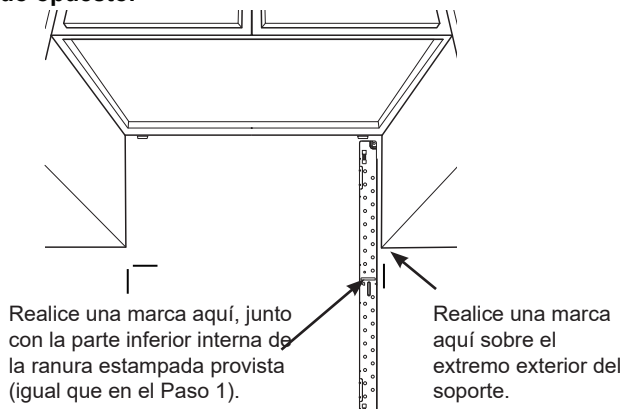
**PASO 1:** Dibuje una línea vertical en la pared en el centro del espacio de 30"



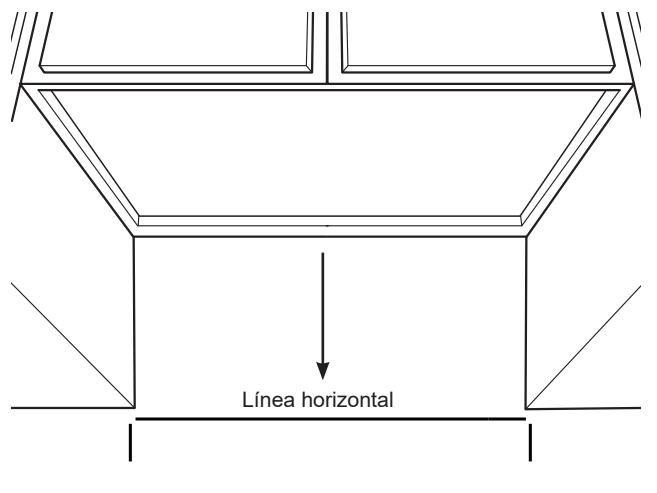
**PASO 2:** El instalador deberá usar el soporte para realizar 2 marcas. La primera marca es realizada usando la ranura estampada en el soporte. La segunda marca es realizada en el extremo exterior del soporte.



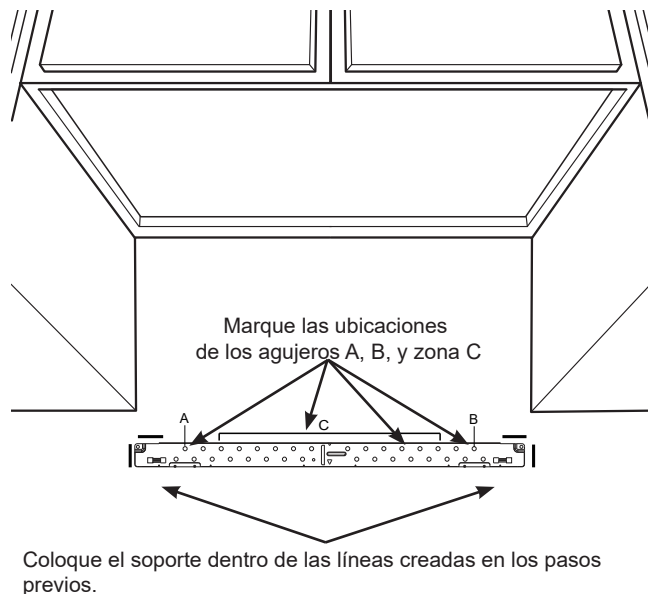
**PASO 3:** El instalador deberá mover el soporte hasta el otro lado de los gabinetes y realizar otras 2 marcas. Las marcas son iguales que en el PASO 2, sólo que del lado opuesto.



**PASO 4:** El instalador deberá usar un nivel para dibujar una línea horizontal que conecte las dos marcas realizadas con la ranura estampada en el soporte.



**PASO 5:** El instalador deberá colocar el soporte de montaje sobre la pared, como se muestra en la imagen. Dibuje círculos sobre la pared en los agujeros A y B. Dibuje al menos un círculo en el área C. Al menos un círculo DEBE alinearse con un poste de pared.



**PASO 6:** Ubique el soporte de montaje a un costado y perfore agujeros en todas las ubicaciones marcadas. Si hay un montaje, haga un agujero de 3/16" para tornillos de madera. Para aquellos agujeros que no estén alineados con un montaje, haga un agujero de 5/8" para tornillos con resorte.

# Instrucciones de Instalación

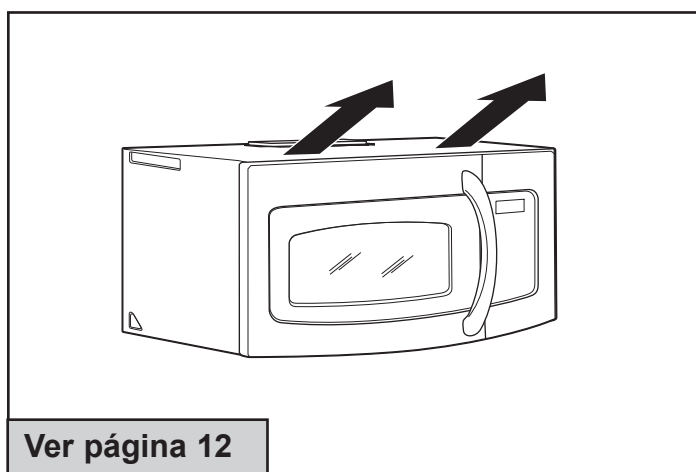
## 2 TIPOS DE INSTALACIÓN (Escoja A, B o C)

Este horno microondas está diseñado para adaptarse a los siguientes tres tipos de ventilación:

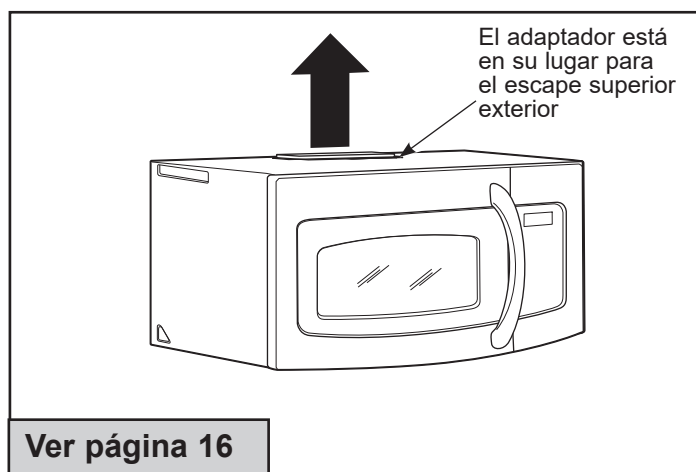
- A. Recirculación (Sin conducto de ventilación)**
- B. Escape superior exterior (conducto vertical)**
- C. Escape posterior exterior (Conducto horizontal)**

NOTA: Este horno microondas es enviado ya ensamblado para un escape superior exterior (excepto para modelos enviados con escape de recirculación). Seleccione el tipo de ventilación requerido para su instalación y proceda a tal sección.

### A RECIRCULACIÓN (SIN CONDUCTO DE VENTILACIÓN)

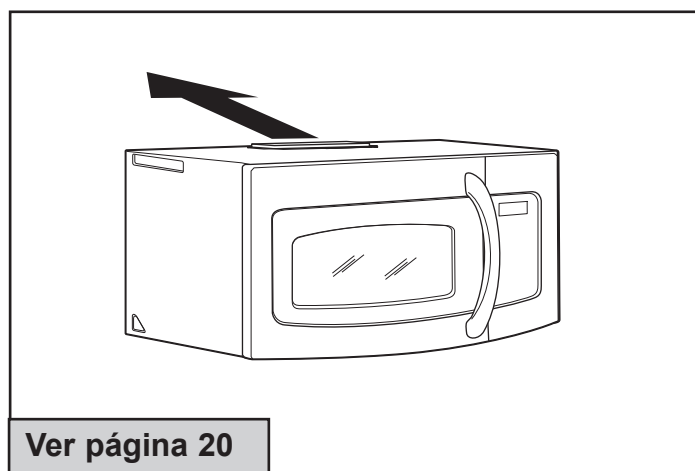


### B ESCAPE SUPERIOR EXTERIOR (CONDUCTO VERTICAL)



Un Kit de accesorios de filtro de carbonilla es necesario para el sistema sin ventilación. (Consulte su Manual del Propietario para obtener el número del kit.)

### C ESCAPE POSTERIOR EXTERIOR (CONDUCTO HORIZONTAL)





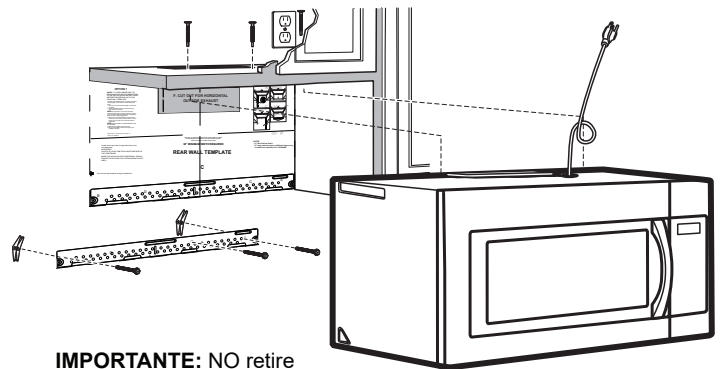
# Instrucciones de Instalación

## A

## RECIRCULACIÓN (Sin Conductos No Ventilados)

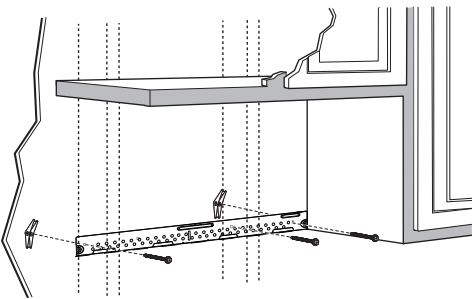
### VISIÓN GENERAL DE LA INSTALACIÓN

- A1. Adhiera la placa de montaje a la pared
- A2. Use la plantilla del gabinete superior para la preparación del gabinete superior
- A3. Ajuste el motor del calentador
- A4. Cómo instalar el filtro de carbón
- A5. Monte el horno microondas
- A6. Instalación/ reemplazo del filtro de carbón sin acceso a los tornillos superiores y la unidad ya fue montada



**IMPORTANT:** NO retire los espaciadores de cartón entre el protector de calor y la puerta.

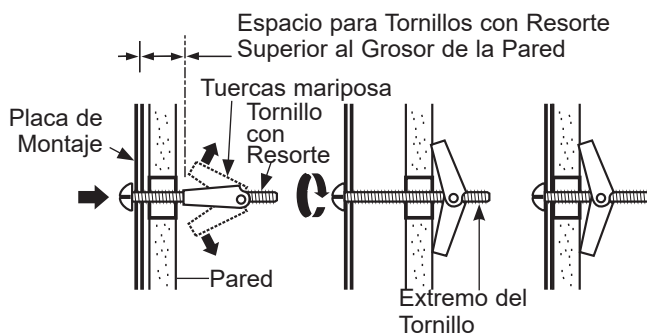
### A1 ADHERA LA PLACA DE MONTAJE A LA PARED



Adhiera la placa a la pared usando tornillos con resortes. Por lo menos un tornillo de madera deberá ser usado para adherir la placa al montaje de pared.

- 1 Retire las tuercas mariposa de los tornillos.
- 2 Inserte los tornillos en la placa de montaje a través de los agujeros designados para entrar en la placa de yeso y vuelva a ajustar las tuercas mariposa a 3/4" sobre cada tornillo.

#### Para usar tornillos con resorte:



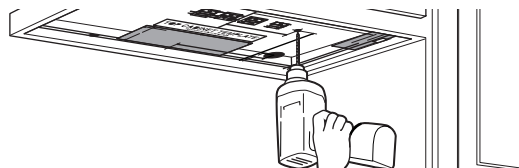
- 3 Coloque la placa de montaje contra la pared e inserte las tuercas mariposa en los agujeros de la pared para montar la placa.

**⚠ PRECAUCIÓN** Tenga cuidado para evitar pellizcos en los dedos entre la parte trasera de la placa de montaje y la pared.

- 4 Ajuste todos los tornillos. Empuje la placa hacia afuera de la pared para ayudar a ajustar los tornillos.

### A2 USE LA PLANTILLA DEL GABINETE SUPERIOR PARA LA PREPARACIÓN DEL GABINETE SUPERIOR

Es necesario hacer agujeros para los tornillos del soporte superior y un agujero lo suficientemente grande para que el cable de corriente lo pueda atravesar.



- Lea las instrucciones sobre la PLANTILLA DEL GABINETE SUPERIOR.
- Pegue la misma debajo del gabinete superior.
- Haga los agujeros siguiendo las instrucciones en la PLANTILLA DEL GABINETE SUPERIOR.

**⚠ PRECAUCIÓN** Use gafas de seguridad al realizar agujeros en la parte inferior del gabinete.



# Instrucciones de Instalación

## A3. CONTROLE LA ORIENTACIÓN DEL MOTOR DEL CALEFACTOR

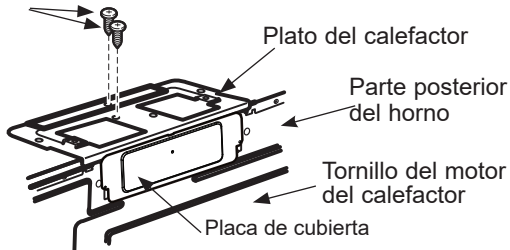
La abertura de la cuchilla del flan del soplador debe estar orientada hacia el frente del microondas. Deberá quitar la placa de cubierta superior para verificar la orientación de las aspas del ventilador. Si la abertura del ventilador ya está orientada hacia el frente del microondas, salte al paso A5. De lo contrario, continúe con el Paso A4 para ajustar la orientación del motor del ventilador.

## A4. CÓMO ADAPTAR EL CALEFACTOR PARA LA RECIRCULACIÓN

**NOTA:** El adaptador de escape con calefactor no es necesario para los modelos de recirculación. Quizás desee guardarlos para posibles usos futuros.

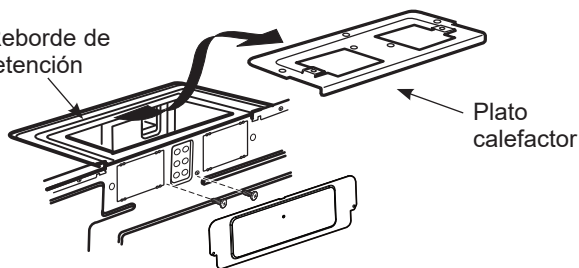
- 1 Retire y guarde los tornillos que sujetan la placa del soplador al horno.

Tornillos del plato del calefactor

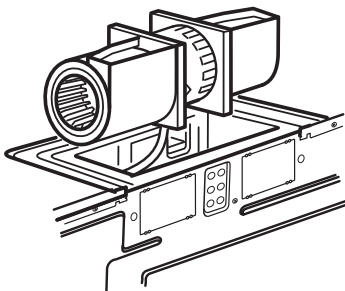


- 2 Deslice el plato calefactor por debajo de su reborde de retención y remueva el. Retire la placa de cubierta instalada en la parte posterior. Retire y guarde los tornillos que sujetan la unidad de soplador al horno.

Reborde de retención

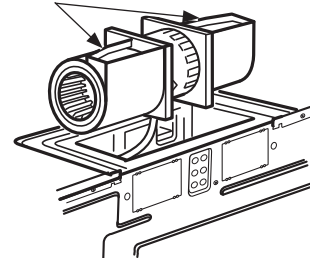


- 3 Cuidadosamente tire del calefactor. Los alambres se extenderán lo suficiente para permitirle que usted ajuste la unidad del calefactor.

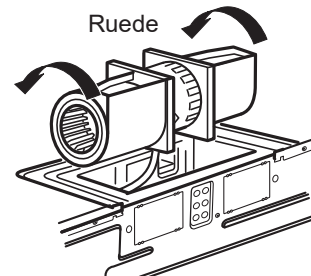


- 4 Ruede la unidad del calefactor 90° de forma tal que las aberturas de la paleta del ventilador estén orientadas hacia el frente del horno.

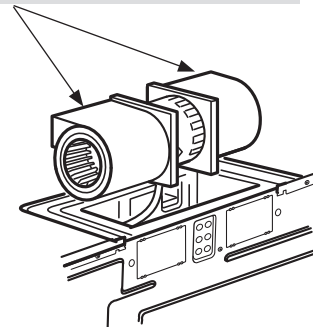
**ANTES:** Las aberturas del ventilador están orientadas hacia arriba



Ruede



**DESPUES:** Las aberturas de la paleta del ventilador están orientadas hacia atrás

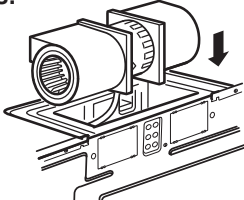


# Instrucciones de Instalación

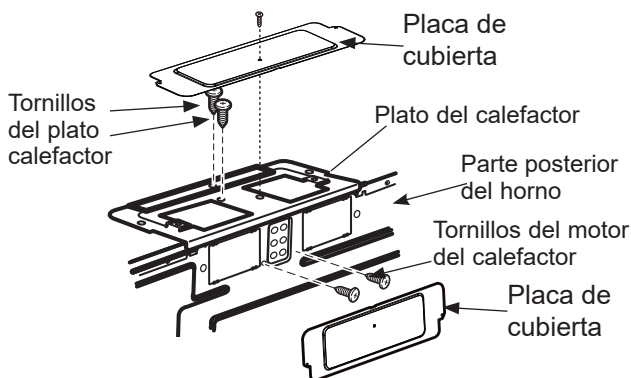
## A4. CÓMO ADAPTAR EL CALEFACTOR PARA LA RECIRCULACIÓN (continuación)

5 Coloque la unidad del calefactor de nuevo en la abertura.

**⚠ PRECAUCIÓN** No tire ni estire los cables del calefactor. Cerciérese de que los alambres no estén pellizcados.

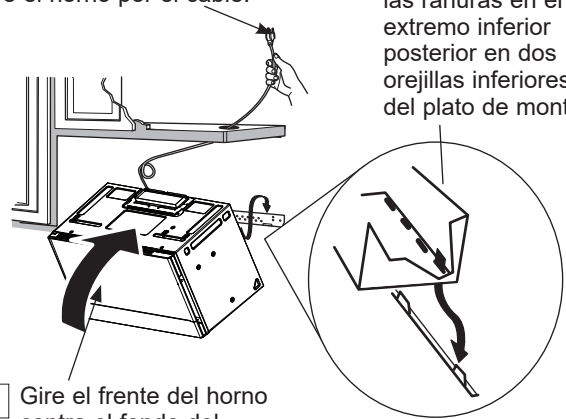


6 Vuelva a colocar los tornillos del motor del ventilador que retiró en el Paso 2. Deslice la placa de la cubierta en su posición en la parte posterior de la unidad. Vuelva a colocar la placa del ventilador y los tornillos que retiró en el paso 1. Coloque la segunda placa de cubierta en la placa del ventilador (incluido un tornillo).

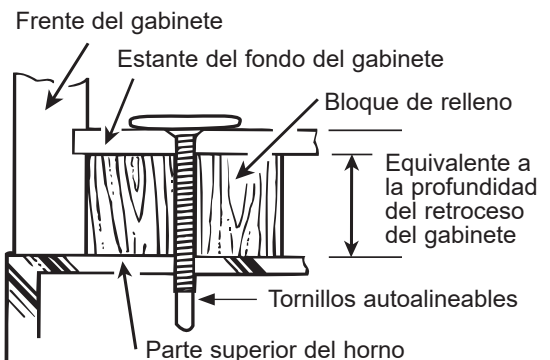


**NOTA:** Cuando se encuentre montando el horno, enrosque el cable eléctrico a través del agujero en el fondo del gabinete superior. Manténgalo tenso a través de los Pasos del

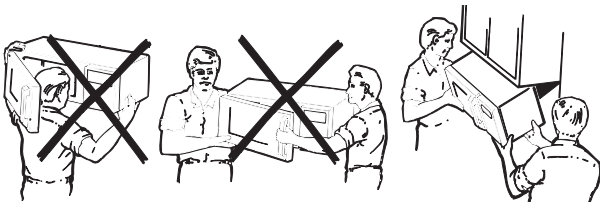
1 Levante el horno, inclínelo hacia adelante, y enganche las ranuras en el extremo inferior posterior en dos orejillas inferiores del plato de montaje.



2 Gire el frente del horno contra el fondo del gabinete.



## A5. MONTAJE DEL HORNO



PARA UNA INSTALACIÓN MÁS FÁCIL Y EN POS DE LA SEGURIDAD PERSONAL, SE RECOMIENDA QUE DOS PERSONAS INSTALEN ESTE HORNO.

**IMPORTANTE:** No agarre ni use la manija de la puerta durante la instalación.

**NOTA:** Si su gabinete es de metal, use la arandela de nilón alrededor del cable eléctrico para evitar que el mismo sea cortado.

**NOTA:** Recomendamos el uso de bloques de relleno si el frente del gabinete cuelga por debajo del estante del fondo del gabinete.

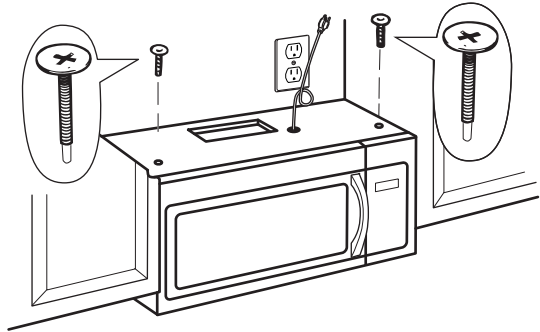
**IMPORTANTE:** Si no se usan bloques de relleno, podrían ocurrir daños por apretar demasiado los tornillos.

# Instrucciones de Instalación

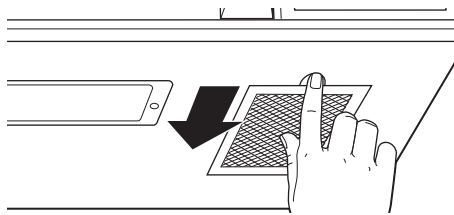
## A5. MONTAJE DEL HORNO

(continuación)

- 3 Pegue el horno a la parte superior del gabinete insertando dos tornillos autoalineables a través de los agujeros exteriores superiores del horno. Gire dos vueltas completas en cada tornillo. **Ceróiese de mantener el cable eléctrico estirado. Tenga cuidado de no pellizcar el cable, especialmente cuando se monte al nivel del fondo del gabinete.**



- 4 Apriete totalmente los dos tornillos hacia el horno superior. (Mientras aprieta los tornillos, mantenga el horno en su lugar contra la pared y el gabinete superior.)



- 5 Instale los filtros de grasa. Ver el Manual del Propietario que viene con el horno.

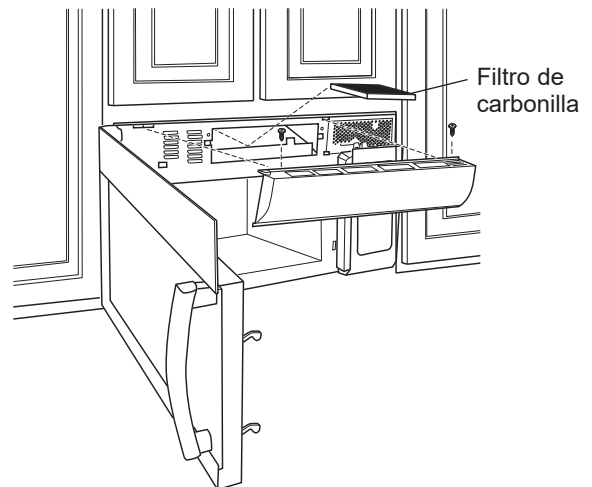
## A6. CUANDO REEMPLACE EL FILTRO DE CARBONILLA

Si el modelo no tiene ventilación al exterior, el aire recirculará por un filtro de carbonilla desechable que ayuda a eliminar el humo y los olores.

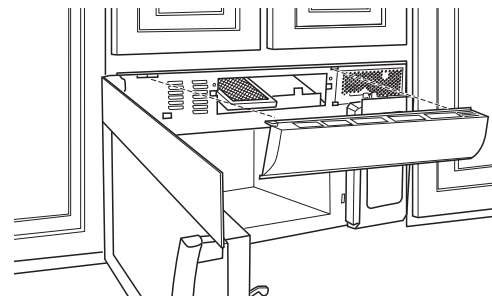
El filtro de carbonilla debe reemplazarse cuando esté visiblemente sucio o decolorado (por lo general, después de 6 a 12 meses, según el uso que se le dé a la campana). Consulte el Manual del Propietario para obtener el número de kit del filtro.

### Para reemplazar el filtro de carbonilla:

- 1 Abra la puerta del horno microondas.
- 2 Remueva los 2 tornillos en la parte superior de la rejilla usando un destornillador de estrella. (Puede ser que necesite abrir las puertas del armario para quitar los tornillos.)
- 3 Deslice la rejilla hacia la izquierda y adelante para retirar la misma.



- 4 Deslice el filtro viejo hacia el frente del horno y retírelo.
- 5 Retire el plástico y la envoltura del nuevo filtro e instálelo. Cuando se instala correctamente, la malla de alambre del filtro debe ser visible desde el frente.
- 6 Reemplace la rejilla con los dos 2 tornillos.
- 7 Cierre la puerta.



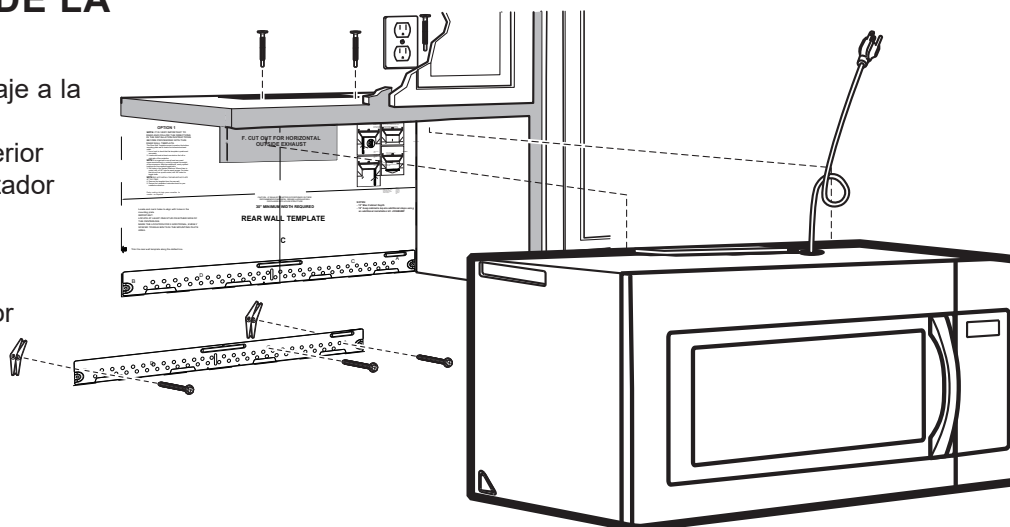
Inserte la malla hacia abajo

# Instrucciones de Instalación

## B VENTILACIÓN SUPERIOR EXTERIOR (Conducto Vertical)

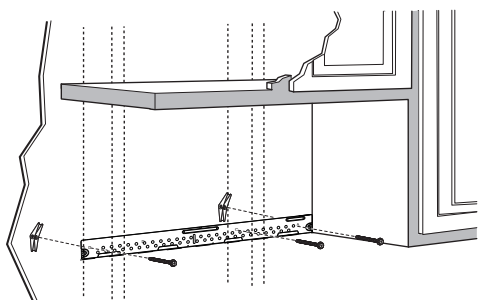
### VISIÓN GENERAL DE LA INSTALACIÓN

- B1. Adjunte la Placa de Montaje a la Pared
- B2. Prepare el Gabinete Superior
- B3. Ajuste el Motor del Calentador
- B4. Ventilación Externa
- B5. Instalación Del Adaptador
- B6. Montar El Horno
- B7. Cómo Ajustar El Adaptador De Escape
- B8. Cómo Conectar El Conducto



**IMPORTANTE:** NO retire los espaciadores de cartón entre el protector de calor y la puerta.

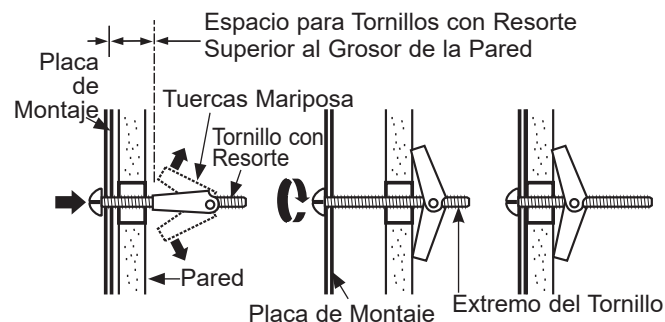
### B1 ADHIERA LA PLACA DE MONTAJE A LA PARED



Adhiera la placa a la pared usando tornillos con resortes. Por lo menos un tornillo de madera deberá ser usado para adherir la placa al montaje de pared. Las ubicaciones recomendadas sobre la placa de pared están indicadas por A, B, C y D.

- 1 Retire las tuercas mariposa de los tornillos.
- 2 Inserte los tornillos en la placa de montaje a través de los agujeros designados para entrar en la placa de yeso y vuelva a ajustar las tuercas mariposa a 3/4" sobre cada tornillo.

### PARA USAR TORNILLOS CON RESORTE:



- 3 Inserte las tuercas mariposa en los agujeros de la pared y coloque la placa de montaje contra la pared.

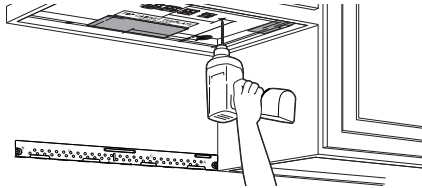
**⚠ PRECAUCIÓN** Tenga cuidado para evitar pellizcos en los dedos entre la parte trasera de la placa de montaje y la pared.

- 4 Ajuste todos los tornillos. Empuje la placa hacia afuera de la pared para ayudar a ajustar los tornillos.

# Instrucciones de Instalación

## B2. USE LA PLANTILLA DEL GABINETE SUPERIOR PARA LA PREPARACIÓN DEL GABINETE

Deberá perforar agujeros para los tornillos de apoyo superiores, un agujero suficientemente grande para que el cable eléctrico quepa, y un recorte lo suficientemente grande como para que el adaptador de escape pueda ser introducido.



- Lea las instrucciones sobre la PLANTILLA DEL GABINETE SUPERIOR.
- Péguelo debajo del gabinete superior.
- Taladre los agujeros, siguiendo las instrucciones en la PLANTILLA DEL GABINETE SUPERIOR.

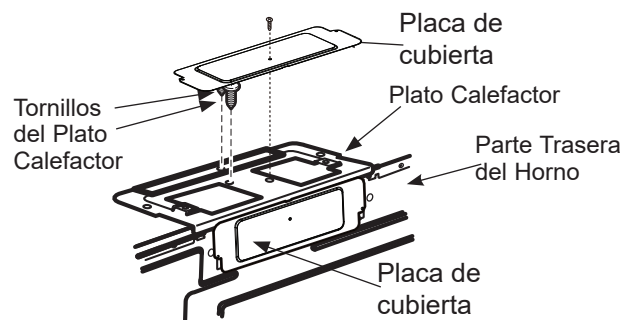
**⚠ PRECAUCIÓN** Use gafas de seguridad cuando perfore los agujeros en el fondo del gabinete.

## B3. CONTROLE LA ORIENTACIÓN DEL MOTOR DEL CALEFACTOR

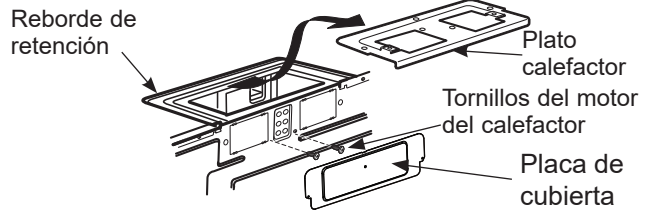
La abertura de las paletas del ventilador del calefactor deben apuntar hacia la parte superior del horno microondas. Si la abertura del ventilador ya está apuntada hacia la parte superior del horno microondas, vaya directo al Paso B5. De otro modo, continúe con el Paso B4 para ajustar la orientación del motor.

## B4. ADAPTACIÓN DEL CALEFACTOR PARA LA VENTILACIÓN EXTERNA

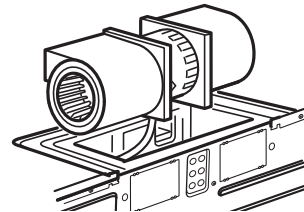
- 1 Retire la cubierta instalada en la placa del ventilador (incluido un tornillo). Retire y guarde los tornillos que sujetan la placa del soplador al horno



- 2 Deslice el plato calefactor por debajo de su lengüeta de contención y levante el mismo. Retire la placa de cubierta instalada en la parte posterior. Retire y guarde los tornillos que sujetan la unidad de soplador al horno

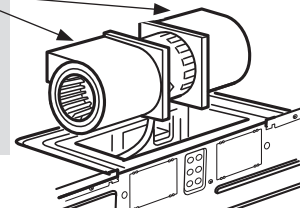


- 3 Con cuidado, empuje hacia usted la unidad del calefactor. Los cables se extenderán lo suficiente como para permitirle ajustar la unidad del calefactor.

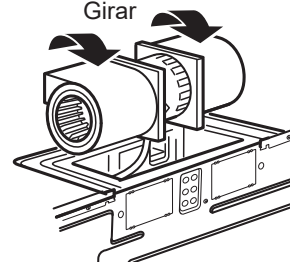


- 4 Haga rodar la unidad del calefactor 90°, de modo que las aberturas de las paletas del ventilador enfrenten la parte superior del horno.

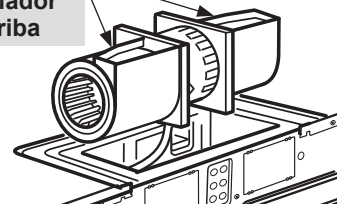
ANTES:  
Aberturas de las Paletas del Ventilador Hacia el Frente



Girar



DESPUÉS:  
Aberturas de las Paletas del Ventilador Hacia Arriba



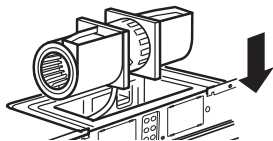


# Instrucciones de Instalación

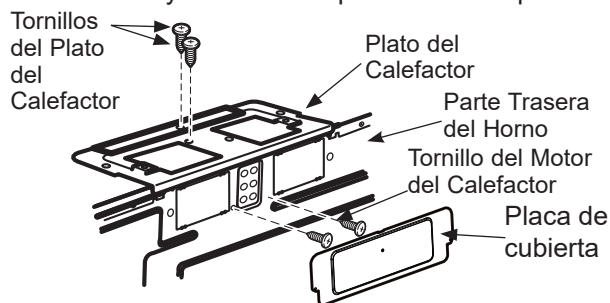
## B4. CALEFACTOR PARA LA VENTILACIÓN EXTERNA (cont.)

- 5 Vuelva a colocar la unidad del calefactor en la abertura.

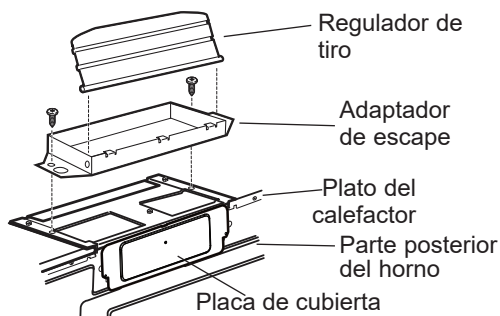
**⚠PRECAUCIÓN** No empuje ni extienda el cableado de la unidad del calefactor. Asegúrese de que los cables no posean cortes.



- 6 Vuelva a colocar los tornillos del motor del ventilador que retiró en el paso 2. Deslice la placa de la cubierta en su posición en la parte posterior de la unidad. Vuelva a colocar la placa del ventilador y los tornillos que retiró en el paso 1



## B5. ENSAMBLAJE E INSTALACIÓN DEL ADAPTADOR



**NOTA:** En algunos modelos, es posible que el adaptador de escape y la unidad del regulador de tiro ya estén colocados en el horno.

- 1 Coloque el horno en su posición vertical, con la parte superior hacia arriba.

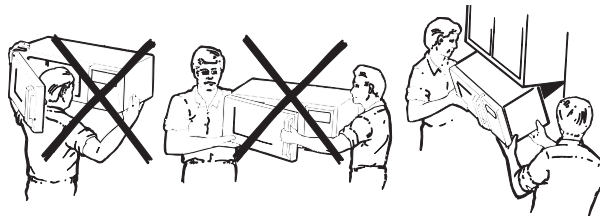
**NOTA:** Cerciórese de que las paletas del ventilador calefactor sean visibles y estén orientadas hacia arriba.

- 2 Inserte las orejillas en cada lado del regulador de tiro en los agujeros en el interior posterior del adaptador.  
3 Pegue el adaptador de escape al plato calefactor con los dos tornillos de bronce que le proporcionamos.

**Cerciórese de que el regulador de tiro gira fácilmente antes de montar el horno.**

Deberá hacer ajustes para asegurarse de que existe alineación apropiada con el sistema de conductos de su casa después de la instalación del horno.

## B6. CÓMO MONTAR EL HORNO



PARA OBTENER UNA INSTALACIÓN MÁS FÁCIL Y EN POS DE LA SEGURIDAD PERSONAL, SE RECOMIENDA QUE **DOS PERSONAS INSTALEN ESTE HORNO.**

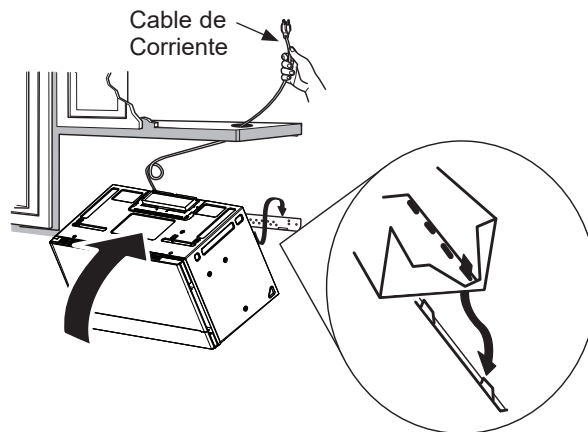
**IMPORTANTE:** No agarre ni use la manija de la puerta durante la instalación.

**NOTA:** Si su gabinete es de metal, use la arandela de nilón alrededor del cable eléctrico para evitar que el mismo sea cortado.

**NOTA:** Recomendamos el uso de bloques de relleno si el frente del gabinete cuelga por debajo del estante del fondo del gabinete.

**IMPORTANTE:** Si no se usan bloques de relleno, podrían ocurrir daños por apretar demasiado los tornillos.

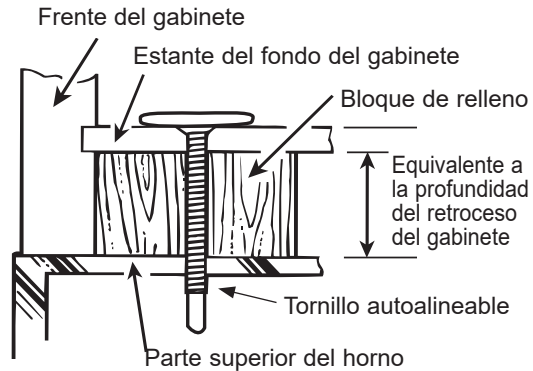
- 1 Levante el horno microondas, incline el mismo hacia adelante, y enganche las ranuras en el extremo inferior trasero sobre las cuatro lengüetas inferiores de la placa de montaje. Gire el frente del horno microondas contra la parte inferior del gabinete.



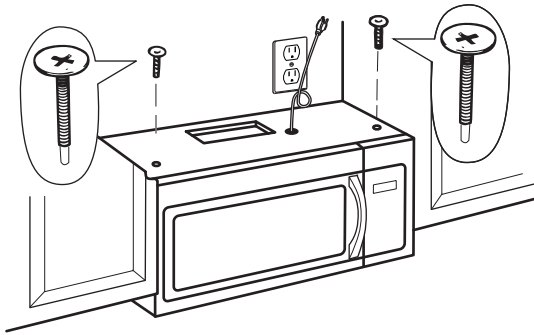
- 2 Gire el frente del horno contra la parte inferior del gabinete.

# Instrucciones de Instalación

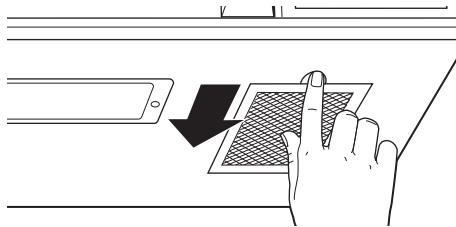
## B6. CÓMO MONTAR EL HORNO (continuación)



- 3 Pegue el horno a la parte superior del gabinete insertando dos tornillos autoalineables a través de los agujeros exteriores superiores del horno. Gire dos vueltas completas en cada tornillo. **Cerchiórese de mantener el cable eléctrico estirado. Tenga cuidado de no pellizcar el cable, especialmente cuando se monte al nivel del fondo del gabinete.**



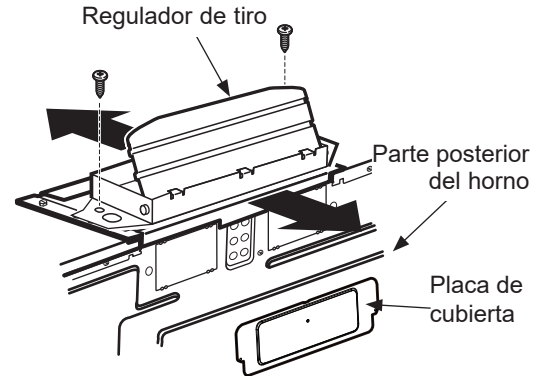
- 4 Apriete complemente los dos tornillos hacia la parte de arriba del horno. (Mientras aprieta los tornillos, mantenga el horno en su lugar contra la parte y el gabinete superior).



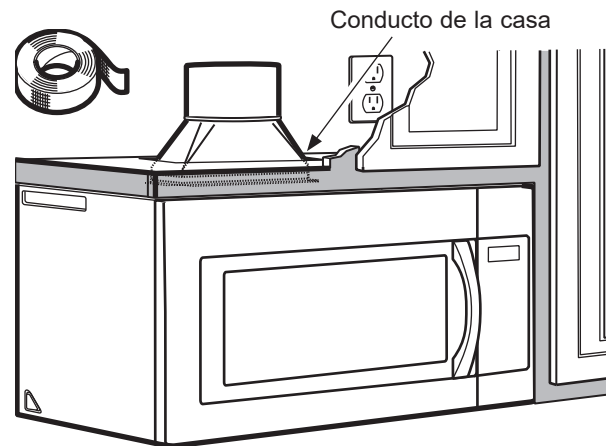
- 5 Instale los filtros de grasa. Ver el Manual del Propietario que viene con el horno.

## B7. CÓMO AJUSTAR EL ADAPTADOR DE ESCAPE

Abra el gabinete superior y ajuste el adaptador de escape para conectarlo al conducto de la casa.



## B8. CÓMO CONECTAR EL CONDUCTO



- 1 Extienda el conducto de la casa hacia abajo para conectarlo con el adaptador de escape.
- 2 Selle las juntas del conducto de escape usando cinta adhesiva de conductos.

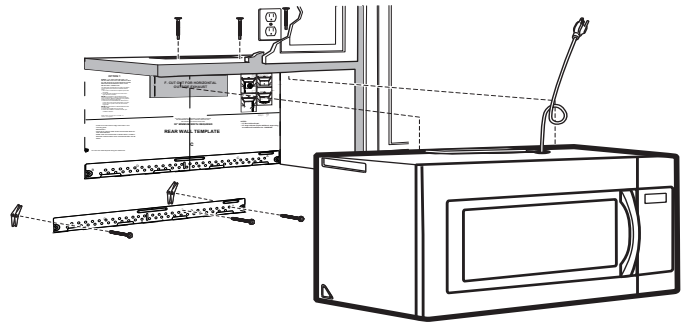


# Instrucciones de Instalación

## C VENTILACIÓN EXTERIOR TRASERA (Conducto Horizontal)

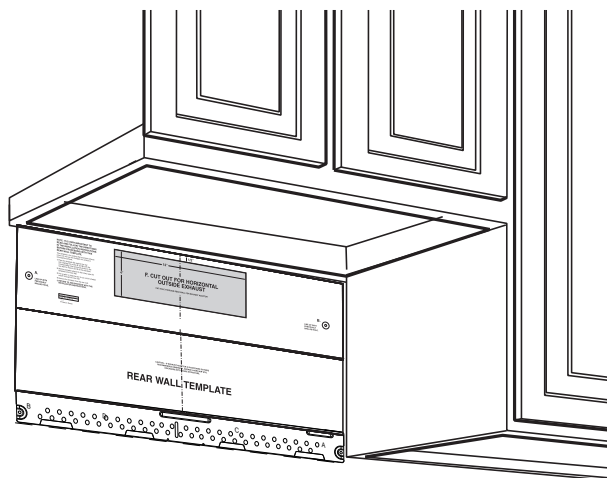
### VISIÓN GENERAL DE LA INSTALACIÓN

- C1. Prepare la Pared Trasera
- C2. Adjunte la Placa de Montaje a la Pared
- C3. Prepare el Gabinete Superior
- C4. Ajuste el Calentador
- C5. Monte el Horno Microondas



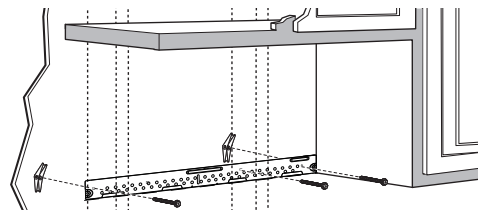
### C1 PREPARACIÓN DE LA PARED TRASERA PARA EL ESCAPE EXTERNO TRASERO

Es necesario cortar una abertura en la pared trasera del escape externo.



- Lea las instrucciones sobre la PLANTILLA DE LA PARED TRASERA.
- Pegue la misma a la pared trasera, alineándola con los agujeros previamente perforados A y B en la placa de montaje.
- Corte la apertura, siguiendo las instrucciones de la PLANTILLA DE LA PARED TRASERA.

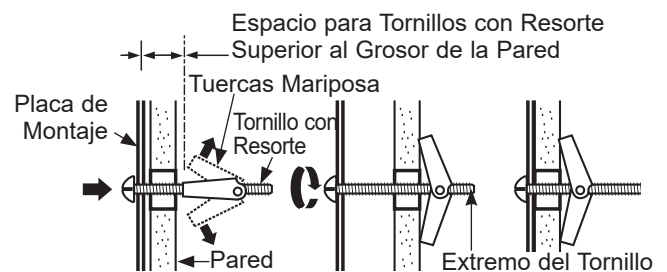
### C2 ADHIERA LA PLACA DE MONTAJE A LA PARED



Adhiera la placa a la pared usando tornillos con resortes. Por lo menos un tornillo de madera deberá ser usado para adherir la placa al montaje de pared.

- 1 Retire las tuercas mariposa de los tornillos.
- 2 Inserte los tornillos en la placa de montaje a través de los agujeros designados para entrar en la placa de yeso y vuelva a ajustar las tuercas mariposa a 3/4" sobre cada tornillo.

**Para usar tornillos con resorte:**



- 3 Coloque la placa de montaje contra la pared e inserte las tuercas mariposa en los agujeros de la pared para montar la placa.

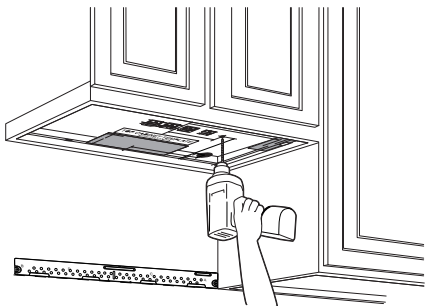
**⚠ PRECAUCIÓN** Tenga cuidado para evitar pellizcos en los dedos entre la parte trasera de la placa de montaje y la pared.

- 4 Ajuste todos los tornillos. Empuje la placa hacia afuera de la pared para ayudar a ajustar los tornillos.

# Instrucciones de Instalación

## C3. USE LA PLANTILLA DEL GABINETE SUPERIOR PARA PREPARAR EL GABINETE SUPERIOR

Necesita perforar agujeros para los tornillos de apoyo superiores y un agujero suficientemente grande para que el cable eléctrico quepa.

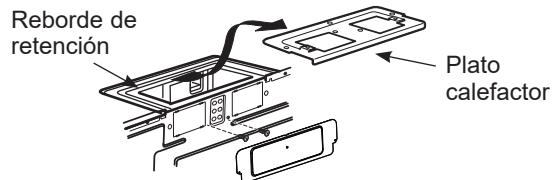


- Lea las instrucciones sobre la PLANTILLA DEL GABINETE SUPERIOR.
- Péguela debajo del gabinete superior.
- Taladre los agujeros, siguiendo las instrucciones en la PLANTILLA DEL GABINETE SUPERIOR.

**⚠ PRECAUCIÓN** Use gafas de seguridad cuando perfore los agujeros en el fondo del gabinete.

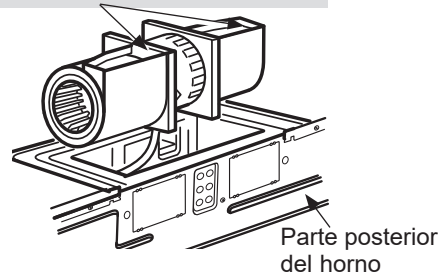
## C4. CÓMO ADAPTAR EL CALEFACTOR PARA EL ESCAPE POSTERIOR EXTERNO

- 1 Retire y guarde los dos tornillos que sujetan la placa del ventilador en su lugar. Deslice la placa del ventilador por debajo de su brida de retención. Retire la placa de cubierta instalada en la parte posterior. Retire y guarde los tornillos que sujetan la unidad de soplador al horno.

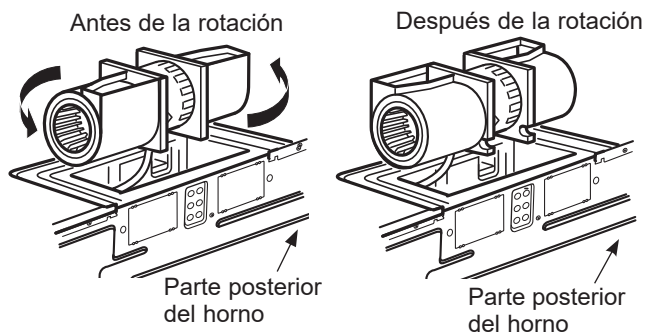


- 2 Cuidadosamente tire del calefactor. Los alambres se extenderán lo suficiente como para permitirle que usted ajuste la unidad del calefactor.

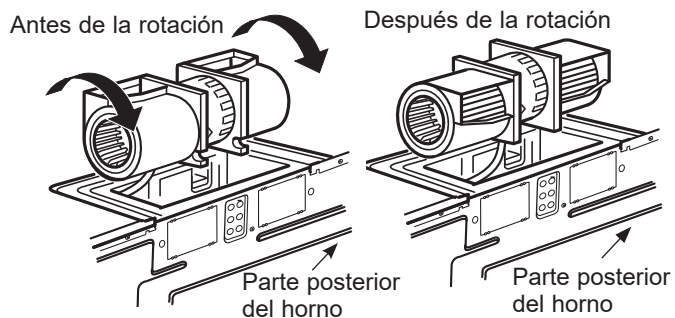
**ANTES: Las aberturas del ventilador están orientadas hacia arriba**



- 3 Rote la unidad 180° en sentido contrario a las agujas del reloj.



- 4 Ruede la unidad del calefactor 90° de forma tal que las aberturas de la paleta del ventilador estén orientadas hacia la parte posterior del horno.



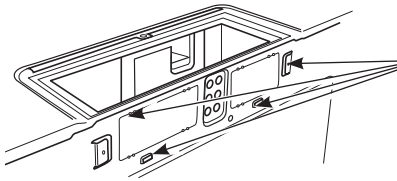
# Instrucciones de Instalación

- 5 Localice los dos platos removibles en el panel posterior del horno, cerca de la parte superior del horno.

Usando tijeras, cuidadosamente corte el área de telaraña de los dos agujeros lado a lado (que aseguran los platos removibles al horno). Corte las cuatro telarañas en ambos platos removibles posteriores; esto permitirá que el flujo de aire del ventilador escape hacia la parte posterior del horno.

**PRECAUCIÓN** Cerciérese de recortar los extremos filosos de las aberturas después de remover los platos.

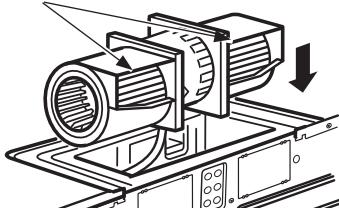
Parte posterior del horno



Corte con tijeras las cuatro telarañas de cada panel removible y remueva los discos removibles de metal para permitir el flujo de aire posterior.

- 6 Coloque la unidad del calefactor de nuevo en la abertura.

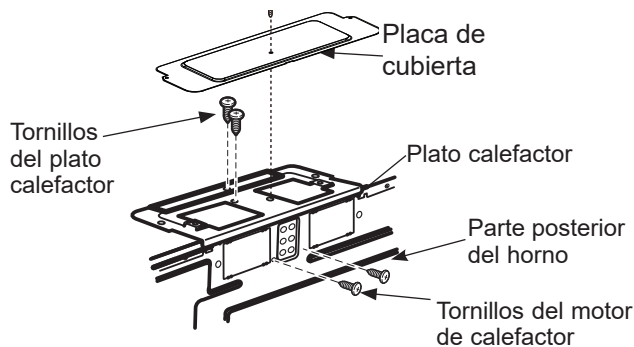
**DESPUES:** Las aberturas de la paleta del ventilador están orientadas hacia atrás



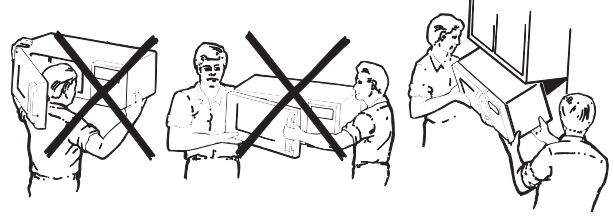
**PRECAUCIÓN** No tire ni estire los cables del calefactor. Cerciérese de que los alambres no están pellizcados.

**NOTA:** Las aberturas del escape del calefactor deberán encajar con las aberturas del escape en la parte posterior del horno.

- 7 Coloque el plato calefactor en la misma posición como estaba antes y reinstale los tornillos del plato calefactor y del motor del calefactor. Retire la tapa instalada en la parte posterior.



## C5. MONTAJE DEL HORNO



PARA UNA INSTALACIÓN MÁS FÁCIL Y EN POS DE LA SEGURIDAD PERSONAL, SE RECOMIENDA QUE DOS PERSONAS INSTALEN ESTE HORNO.

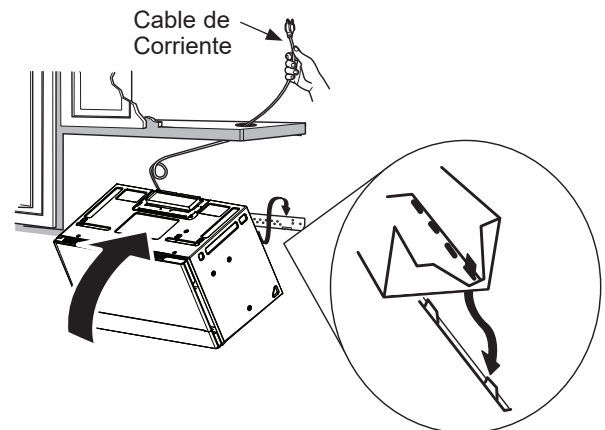
**IMPORTANTE:** No agarre ni use la manija de la puerta durante la instalación.

**NOTA:** Si su gabinete es de metal, use la arandela de nilón alrededor del cable eléctrico para evitar que el mismo sea cortado.

**NOTA:** Recomendamos el uso de bloques de relleno si el frente del gabinete cuelga por debajo del estante del fondo del gabinete.

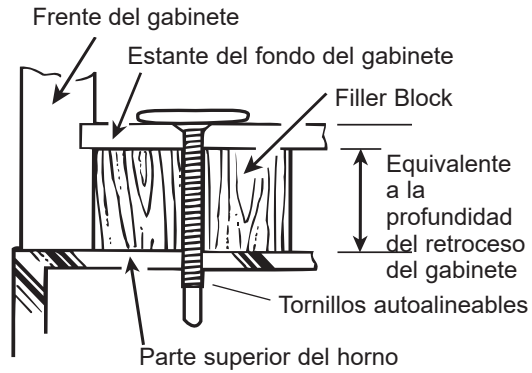
**IMPORTANTE:** Si no se usan bloques de relleno, podrían ocurrir daños por apretar demasiado los tornillos.

- 1 Levante el horno microondas, incline el mismo hacia adelante, y enganche las ranuras en el extremo inferior trasero sobre las cuatro lengüetas inferiores de la placa de montaje Rotate front of microwave oven up against cabinet bottom.

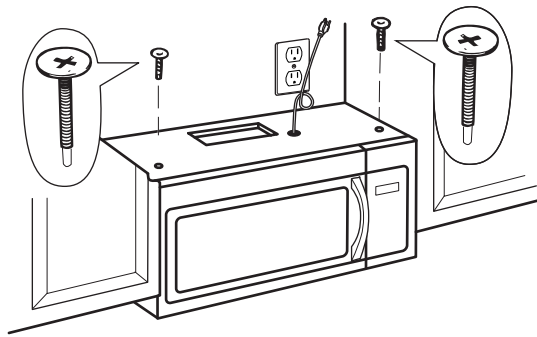


- 2 Gire el frente del horno contra la parte inferior del gabinete.

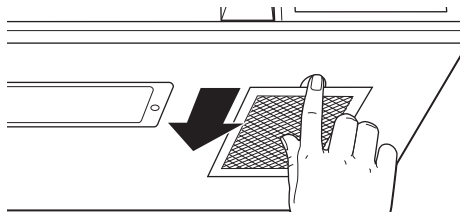
# Instrucciones de Instalación



- 3** Pegue el horno a la parte superior del gabinete insertando dos tornillos autoalineables a través de los agujeros exteriores superiores del horno. Gire dos vueltas completas en cada tornillo. **Cerchiórese de mantener el cable eléctrico estirado. Tenga cuidado de no pellizcar el cable, especialmente cuando se monte al nivel del fondo del gabinete.**



- 4** Apriete totalmente los dos tornillos hacia el horno superior. (Mientras aprieta los tornillos, mantenga el horno en su lugar contra la pared y el gabinete superior.)



- 5** Instale los filtros de grasa. Ver el Manual del Propietario que viene con el horno.

# Instrucciones de Instalación

## ANTES DE USAR EL HORNO MICROONDAS

- 1** Asegúrese de que el horno microondas haya sido instalado de acuerdo con las instrucciones.



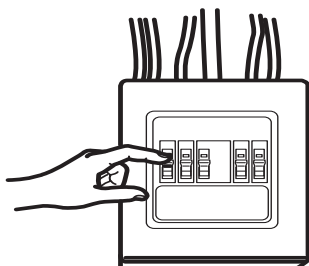
- 6** Lea la sección de Uso y Cuidado Rápido.



- 2** Retire todos los materiales de embalaje del horno microondas.

- 3** Instale el plato giratorio y el anillo del plato giratorio en la cavidad.

- 4** Reemplace el fusible del hogar o vuelva a activar el disyuntor.



- 5** **Modelos de 120 V:** Enchufe el cable de corriente en un tomacorriente eléctrico específico de 15 a 20 amp.



Asegúrese de contar con una conexión a tierra adecuada antes de usar.

- 7** MANTENGA LAS INSTRUCCIONES DE INSTALACIÓN PARA USO DEL INSPECTOR LOCAL.

