

The SL Series

The ideal choice for larger areas
with limited wall space



CADET[®]
SAFETY & QUALITY



Features and Benefits

- Manual reset thermal protection
 - Commercial grade high temperature manual reset
- Grill design provides dual heat distribution
- Fan provides quiet operation
- Built-in double pole thermostat
- Powder coat paint process eliminates sharp metal edges

General Information:

The SL Series is a high performance fan heater for medium to large areas. A unique fan reduces air turbulence, allowing The SL Series to deliver heat quietly, and dual warm exhausts provide even, efficient distribution of heat. The grill louvers are designed to conceal the internal components from view with an aesthetically pleasing look. Also included is an adjustable automatic quick-action thermostat control for your comfort and convenience.

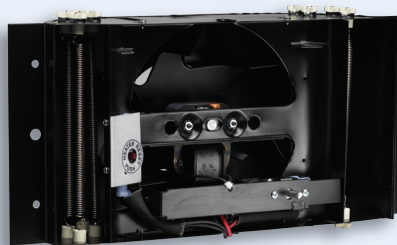
Architectural Information:

Fan forced electric air heaters shall be UL Listed, factory rated at 120V, and dual field rated from 208V to 240V. The elements and blower shall be of unitized construction and attach to wall can with four screws. Elements shall be of nichrome type with an oversized 25 amp at 240V high temperature manual reset limit switch. A blower delivering approximately 65 CFM shall be driven by an impedance protected motor. The motor shall be totally isolated from the heating chamber. Metal grill shall be of one piece, 22 gauge construction and finished with a powder coat paint system. A painted 22 gauge wall mounting can with 2 knockouts and 70 cubic inch wiring compartment is also available.

Carton Details

Heat Assembly & Grill Carton

DIMENSIONS	19.75"W x 14"H x 7"D
PALLET QTY.	48
CUBE	1.12



HEATER ASSEMBLY WITH THERMOSTAT



WALL CAN

PHONE 360.693.2505
 FAX 360.694.8668
 WEB www.cadetco.com



Technical Information:

All models come with a built-in double pole thermostat. Fan heaters work best when installed on an inside wall. UL requires heater to be placed a minimum distance of 6" from adjacent surfaces and 6" from the floor. Manufacturer recommends installation 12" from all surfaces. A 3' (91.44cm) minimum clearance is recommended for furniture or other objects placed directly in front of heater.

NOTE: Manufacturer recommends installing heater assembly after walls are finished. Heater must be cleaned every six months minimum.

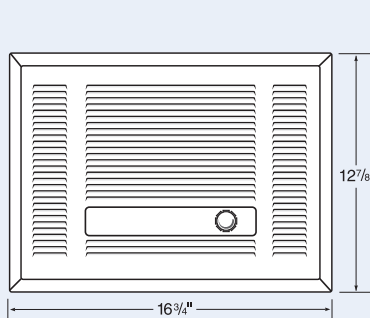
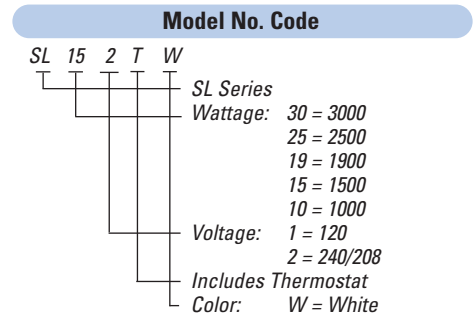
Ordering Information:

Recess or surface mount wall cans sold separately. Available in white.

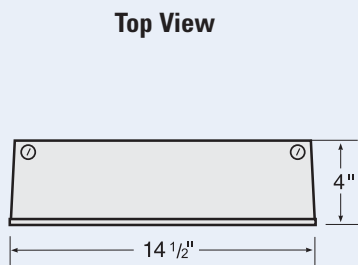
UPC Code		WATTS			AMPS			Wt./Lbs
Part#	Model#	Description	240V	208V	120V	240V	208V	120V
027418 79222 8	SL302TW	Heater Assembly and Grill Only, White	3000	2250		12.5	10.82	
027418 79230 3	SL252TW	Heater Assembly and Grill Only, White	2500	1875		10.42	9.01	
027418 79221 1	SL192TW	Heater Assembly and Grill Only, White	1900	1425		7.92	6.85	
027418 79220 4	SL152TW	Heater Assembly and Grill Only, White	1500	1125		6.25	5.41	
027418 79219 8	SL151TW	Heater Assembly and Grill Only, White			1500			12.5
027418 79233 4	SL101TW	Heater Assembly and Grill Only, White			1000			8.33

ACCESSORIES

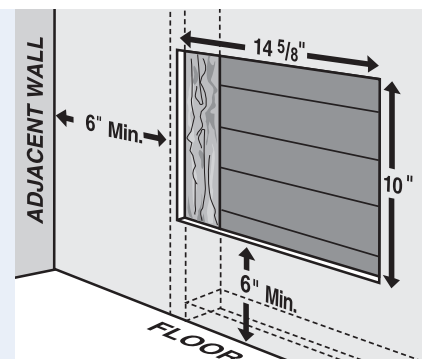
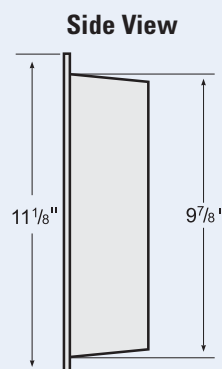
UPC Code	Part#	Model#	Description	Wt./Lbs
027418 79239 6	SLC	SLC	Wall Can Recess Mount	4
027418 79240 2	SLCS	SLCS	Wall Can Surface Mount, 17"W x 13"H x 4"D	7



Grill Dimensions:
 16 3/4" W x 12 7/8" H



Wall Can Dimensions:
 14 1/2" W x 11 1/8" H x 4" D



Rough-in Dimensions:
 14 5/8" W x 10" H x 4" D