

## Register Heater Owner's Guide

<http://www.cadetheat.com/products/wall-heaters/register-plus>

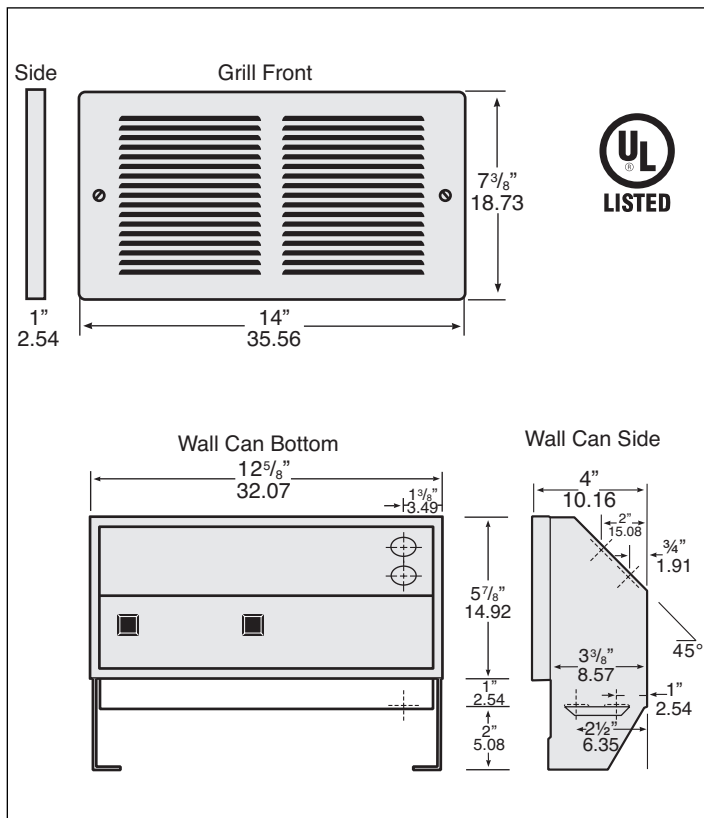
### Benefits You Can Depend On

- Safe for you and your family  
Peace of mind with automatic high temperature shutoff feature
- Better air circulation and comfort with biggest, most powerful blower
- Quiet, efficient and sophisticated—designed with you in mind
  1. NO sharp edges
  2. Corrosion resistant
  3. Installs quickly with one screw
  4. Easy to install, compact wall can
  5. Sleek appearance blends in naturally
- Your Cadet heater has been thoroughly tested and is guaranteed with a **5 year extended warranty**



Register Models			
Line Voltage	Model w/o Thermostat	Watts	Amps
120	RM151	500/1000/1500	4.17/8.33/12.50
	RM108	1000	4.81
208	RM158	1500	7.21
	RM168	700/900/1600	3.37/4.33/7.69
	RM208	2000	9.62
240 (1)	RM102	1000/750	4.17/3.61
	RM162	700/900/1600	2.92/3.75/6.67
	RM202	2000/1500	8.33/7.21
	RM222	2250/1687	9.37/8.11

(1) 240 volt models can be used at 208 volts. Wattage equals 75% of 240v rated wattage.



Note: A wall thermostat or built-in thermostat kit is required for comfortable warmth and control

- TOOLS REQUIRED:**
- Phillips Screwdriver
  - Straight Screwdriver
  - Wire Strippers

- Utility Knife
- (4) 1 1/2" Wood Screws
- Insulated Wire Connectors
- (1) Strain Relief Connector

**SAVE THESE INSTRUCTIONS**

# IMPORTANT INSTRUCTIONS

## ⚠️ WARNING

When using electrical appliances, basic precautions should always be followed to reduce the risk of fire, electric shock, and injury to persons, including the following:

1. Read all instructions before installing or using this heater.

## 2. ⚠️ WARNING

Risk of Fire. This heater is hot when in use. Caution—High Temperature. Risk of Fire. Keep electrical cords, drapery, furnishings, and other combustibles at least 3 feet from the front of the heater and 6 inches above and on both sides.

## 3. ⚠️ WARNING

Burn Hazard. To avoid burns, do not let bare skin touch hot surfaces. Extreme caution is necessary when any heater is used by or near children or invalids and whenever the heater is left operating and unattended.

## 4. ⚠️ WARNING ⚠️

Risk of Electrical Shock. Do not operate any heater after it malfunctions. Disconnect power at service panel and have heater inspected by a qualified electrician before reusing.

## 5. ⚠️ WARNING

Do not use outdoors.

6. To disconnect heater, turn controls to off, and turn off power to heater circuit at main disconnect panel.

## 7. ⚠️ WARNING ⚠️

Risk of Electrical Shock. Do not insert or allow foreign objects to enter any ventilation or exhaust opening as this may cause an electric shock or fire, or damage the heater.

## 8. ⚠️ WARNING

Risk of Fire. To prevent a possible fire, do not block air intakes or exhaust in any manner.

## 9. ⚠️ WARNING

Fire or explosion may occur. A heater has hot and arcing or sparking parts inside. Do not use it in areas where gasoline, paint, or flammable vapors or liquids are used or stored.

10. Use this heater only as described in this manual. Any other use not recommended by the manufacturer may cause fire, electrical shock, or injury to persons.

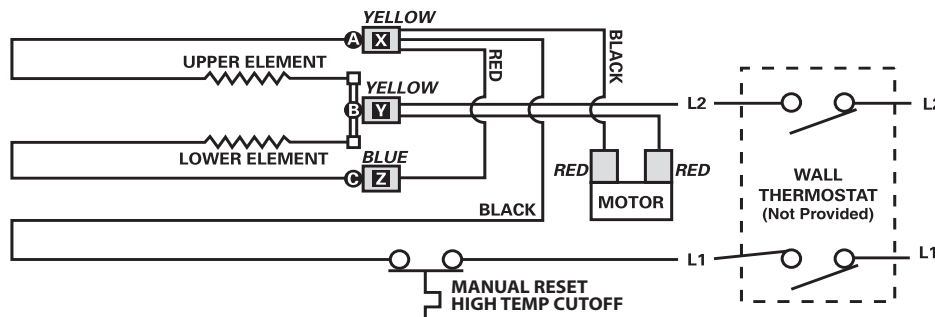
11. The heater must be properly installed before it is used.

## 12. ⚠️ WARNING ⚠️

Risk of Electrical Shock and Fire. Do not operate without grill.

13. Save these instructions.

## Wiring Diagram



# SAVE THESE INSTRUCTIONS

# INSTALLATION INSTRUCTIONS

## 1. ⚠️ **WARNING**

Verify that the electrical supply wires are the same voltage as the heater.

2. If replacing an existing heater, check the label of the old heater.

3. All electrical work and materials must comply with the National Electric Code (NEC), the Occupational Safety and Health Act (OSHA), and all state and local codes.

4. If you need to install a new circuit or need additional wiring information, consult a qualified electrician.

5. Use copper conductors only.

## 6. ⚠️ **WARNING** ⚠️

Risk of Electrical Shock. DO NOT install the heater directly above bathtub or sink. DO NOT install in shower stall area (Manufacturer recommends a minimum 2 foot clearance).

7. Heater must be installed in a wall can:  
Model RM Wall Can RMC

## 8. ⚠️ **WARNING**

Risk of Fire. DO NOT install the heater in a floor, in the ceiling, below a towel bar, behind a door, or anywhere the air discharge may be blocked in any manner.

## 9. ⚠️ **WARNING**

Fire or Explosion May Occur. A heater has hot and arcing or sparking parts inside. Do not use it in areas where gasoline, paint, or flammable vapors or liquids are used or stored.

## 10. ⚠️ **WARNING** ⚠️

Risk of Electrical Shock. Connect grounding lead to grounding pigtail provided. Keep all foreign objects out of heater.

## 11. ⚠️ **WARNING**

Risk of Fire. This heater is hot when in use. Caution—High Temperature. Risk of Fire. Keep electrical cords, drapery, furnishings, and other combustibles at least 3 feet from the front of the heater and 6 inches above and on both sides.

## Part One

**PLACEMENT:** For best results install The Register on an inside wall. Headers and bracing are not necessary. **NOTE:** The wall can must be installed in the TOP UP (horizontal) position only. Heater is not approved for ceiling mount.

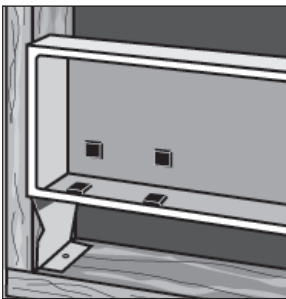
**THERMOSTAT:** A thermostat is required. A Cadet Electronic Thermostat is recommended for ultimate control and comfort.

### How do I install for new construction?

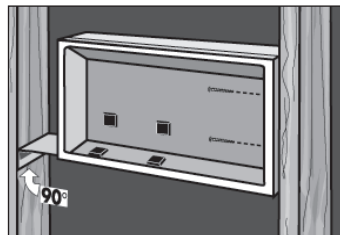
#### STEP 1 Mount The Wall Can

REQUIRED MINIMUM distance of 6 inches from adjacent surfaces and 4-1/2 inches from the floor (See Figure 4). However, Cadet RECOMMENDS 12 inches from adjacent surfaces and floor for longer and cleaner performance. Heaters must be spaced at least 3 feet apart.

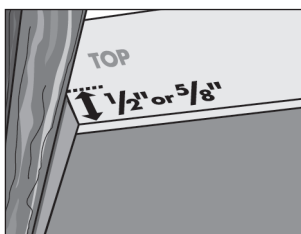
Secure the wall can to the studs and/or sill plate with screws through the larger (3/16 inch) holes. (See Figures 1 and 2).



**Figure 1**  
Metal legs position wall can at minimum floor clearance



**Figure 2**  
Bend one leg 90 degrees for higher placement, and secure to studs



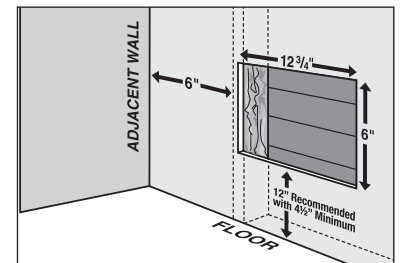
Face of wall can must extend 1/2 inch or 5/8 inch from face of stud to allow for thickness of sheetrock. Mount wall can flush with finished surface.

**Figure 3**

### How do I install in an existing wall?

#### STEP 1 Cut A Hole In The Wall

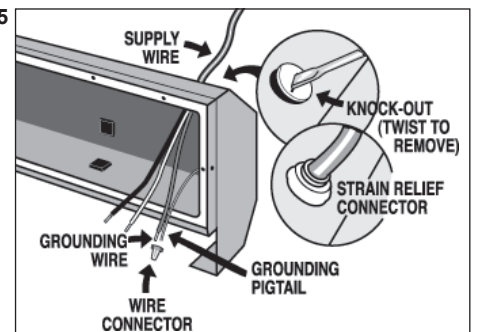
Cut a hole 12 3/4 inches wide by 6 inches high next to a wall stud. REQUIRED MINIMUM distance of 6 inches from adjacent surfaces and 4-1/2 inches from the floor (See Figure 4). However, Cadet RECOMMENDS 12 inches from adjacent surfaces and floor for longer and cleaner performance. Heaters must be spaced at least 3 feet apart.



**Figure 4**

#### STEP 2 Route Supply Wires

Route supply wire from circuit breaker to wall thermostat, then to wall can. Remove a knockout and attach the supply wire with a strain relief connector leaving 10 inches wire lead for later use (See Figure 5). Connect supply ground wire to grounding pigtail in wall can.



**Figure 5**

# INSTALLATION INSTRUCTIONS (continued)

## Part One

### How do I install for new construction?

#### STEP 2 Route Supply Wires

Route supply wire from circuit breaker to thermostat to wall can. Remove a knockout and attach the supply wire with a strain relief connector leaving 10 inches wire lead for later use. Connect supply ground wire to grounding pigtail in wall can (See Figure 5).

Proceed to PART TWO.

### How do I install in an existing wall?

#### STEP 3 Mount Wall Can

Insert wall can, legs first, into opening and rotate into wall. Keeping front of wall can flush with finished surface, secure to wall stud with screws through larger (3/16 inch) holes. (See Figures 6 and 7).

**IMPORTANT:** Insert two drywall screws into the small holes opposite the wall stud into the drywall to rest against backside of sheetrock (keeping wall can flush to wall).

Proceed to PART TWO.

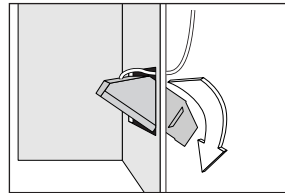


Figure 6

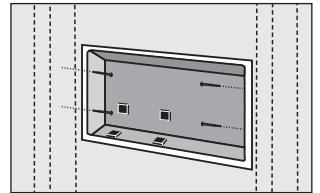


Figure 7

## Part Two

If you are installing a Multi-Watt heater, model numbers RM151, RM162, or RM168, begin with STEP 1 below. If you are installing an RM202, RM208, RM158, or RM108, begin with STEP 2 below.

#### STEP 1 Element Wire Configuration (Multi-watt models RM151, RM162 and RM168 only)

Cadet's Multi-Watt RM heater offers a variety of heat output options. You must first determine the desired wattage and then configure the heating element wire connections. The heater is shipped from the factory configured for maximum watts: 1600 Watts (240V) and (208V) for RM162 and RM168, and 1500 Watts (120V) for RM151. If this is the wattage you desire, proceed to STEP 2.

On models RM151, RM162 and RM168, mark wiring diagram on the back of the heater with the wattage used for future reference.

MODEL	VOLTAGE	IF YOUR DESIRED WATTAGE IS:	YOUR WIRES WILL BE CONFIGURED LIKE THIS:	
			Upper Element <b>A</b>	Lower Element <b>C</b>
RM162	240V	1600	900W-240V Yellow Terminal <b>X</b>	700W-240V Blue Terminal <b>Z</b>
		900	Yellow Terminal <b>X</b>	None (*)
		700	None (*)	Yellow Terminal <b>X</b>
RM168	208V	1600	900W-208V Yellow Terminal <b>X</b>	700W-208V Blue Terminal <b>Z</b>
		900	Yellow Terminal <b>X</b>	None (*)
		700	None (*)	Yellow Terminal <b>X</b>
RM151	120V	1500	1000W-120V Yellow Terminal <b>X</b>	500W-120V Blue Terminal <b>Z</b>
		1000	Yellow Terminal <b>X</b>	None (*)
		500	None (*)	Yellow Terminal <b>X</b>

\*Cut Blue Terminal from Red Wire and wrap up with electrical tape. Yellow Terminal **Y** remains connected at **B**. Do Not Touch. Refer to Wiring Diagram on Page 2 for terminal locations.

Figure 8a RM Wiring Table

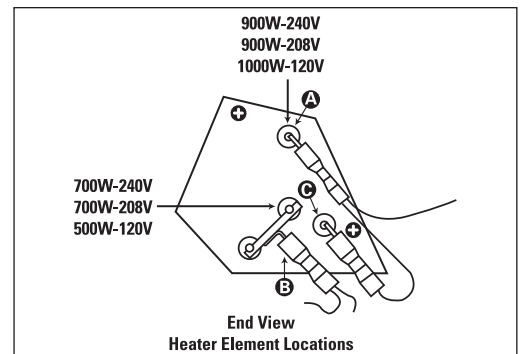


Figure 8b

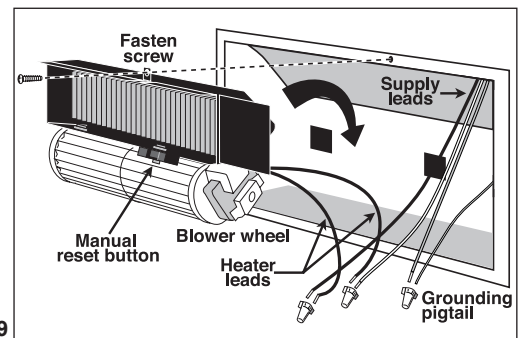


Figure 9

#### STEP 2 Install Heater Assembly

Set the heater assembly (blower wheel first) into the left side of the wall can. Fasten at top with screw provided. Unlace heater lead wires. Connect the supply wires to the heater wires (See Figure 9). Keep all wires away from element connections when wires are pushed into free space on right of heater.

#### STEP 3 Install Grill

Secure grill with the screws provided. If you have a built-in thermostat model, slide thermostat knob onto shaft. Turn power on at the electrical panel board.

# OPERATING INSTRUCTIONS

**⚠️WARNING** Risk of Electrical Shock and Fire. The heater must be properly installed before it is used.

1. Do not operate without grill.
2. Keep electrical cords, drapery, furnishings and other combustibles at least 3 feet away from the front of the heater and 6 inches away from the sides.
3. Do not tamper with the over temperature limit control.
4. If the heater over temperature limits trip more than once per day, the heater must be replaced.

5. Clean heater at least every six months.
6. After allowing the heater to cool, turn power off at circuit breaker panel before removing grill.
7. Use a hair dryer or vacuum on blow cycle to blow debris through the top element (do not touch element).
8. Install the grill before turning on power.

**⚠️WARNING:** Any other service not detailed in this Owner's Guide should be performed by an authorized service representative.

## How to operate your heater

The room temperature is controlled by a line voltage thermostat located either on the wall or built-in to the heater.

1. Once installation is complete and power has been restored, turn the thermostat knob fully clockwise.
2. When the room reaches your comfort level, turn the thermostat knob counterclockwise until the heater turns off. The heater will automatically cycle around this preset temperature.
3. To reduce the room temperature, turn the knob counterclockwise. To increase the room temperature, turn the knob clockwise.

## About the Manual Reset Temperature Limit Control

The heater is protected by a temperature-limiting control. The manual reset temperature limit control is designed to open the heater circuit when excessive operating temperatures are detected. The problem must be assessed and the limit must be reset to resume operation.

## Resetting the Manual Reset Limit Control

### Resetting the Manual Reset Temperature Limit Control

If the manual reset limit control has opened the heater circuit due to excessive operating temperatures, the heater will not work until the manual reset limit button is pressed. After allowing the unit to cool for at least 10 minutes and resolving the problem causing the limit to trip (typically the heater is blocked or needs cleaning-see Maintenance Instructions); use a narrow object such as a ball-point pen to access the manual reset button through the lower-right center section of the heater grill. Press **FIRMLY** and be sure to listen and feel for a click, indicating it has been reset.

## Warranty

For more effective and safer operation and to prolong the life of the heater, read the Owner's Guide and follow the maintenance instructions. Failure to properly maintain the heater will void any warranty and may cause the heater to function improperly. Warranties are non transferable and apply to original consumer only. Warranty terms are set out below.

**LIMITED FIVE-YEAR WARRANTY:** Cadet will repair or replace any Register (RM) heater found to be defective within five years after the date of purchase.

### These warranties do not apply:

1. Damage occurs to the product through improper installation or incorrect supply voltage;
2. Damage occurs to the product through improper maintenance, misuse, abuse, accident, or alteration;
3. The product is serviced by anyone other than Cadet;
4. If the date of manufacture of the product cannot be determined;
5. If the product is damaged during shipping through no fault of Cadet.
6. CADET'S WARRANTY IS LIMITED TO REPAIR OR REPLACEMENT AS SET OUT HEREIN. CADET SHALL NOT BE LIABLE FOR DAMAGES SUCH AS PROPERTY DAMAGE OR FOR CONSEQUENTIAL DAMAGES AND/OR INCIDENTAL EXPENSES RESULTING FROM BREACH OF THESE WRITTEN WARRANTIES OR ANY EXPRESS OR IMPLIED WARRANTY.

7. IN THE EVENT CADET ELECTS TO REPLACE ANY PART OF YOUR CADET PRODUCT, THE REPLACEMENT PARTS ARE SUBJECT TO THE SAME WARRANTIES AS THE PRODUCT. THE INSTALLATION OF REPLACEMENT PARTS DOES NOT MODIFY OR EXTEND THE UNDERLYING WARRANTIES. REPLACEMENT OR REPAIR OF ANY CADET PRODUCT OR PART DOES NOT CREATE ANY NEW WARRANTIES.

8. These warranties give you specific legal rights, and you may also have other rights which vary from state to state. Cadet neither assumes, nor authorizes anyone to assume for it, any other obligation or liability in connection with its products other than as set out herein.

If you believe your Cadet product is defective, please contact Cadet Manufacturing Co. at 360-693-2505, during the warranty period, for instructions on how to have the repair or replacement processed. Warranty claims made after the warranty period has expired will be denied. Products returned without authorization will be refused.

### Parts and Service

Visit [cadetheat.com/parts-service](http://cadetheat.com/parts-service) for information on where to obtain parts and service.

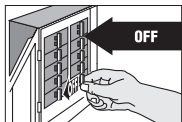


### Reduce-Reuse-Recycle

This product is made primarily of recyclable materials. You can reduce your carbon footprint by recycling this product at the end of its useful life. Contact your local recycling support center for further recycling instructions.

# MAINTAINING YOUR HEATER

Maintenance As Needed, or every six months minimum.



**⚠ WARNING!** Before removing grill, turn the electrical power off at the electrical panel board (circuit breaker or fuse box). Lock or tag the panel board door to prevent someone from accidentally turning the power on while you are working on the heater. Failure to do so could result in serious electrical shock, burns, or possible death.

**⚠ WARNING:** Any other service not detailed in this Owner's Guide should be performed by an authorized service representative.

1. It is important that you verify power has been turned off and no power is going to the heater before proceeding. Circuit breakers are often not marked correctly and turning the wrong breaker off could mean electricity is flowing to the heater, even if the heater does not appear to be working. If you are uncomfortable working with electrical appliances, unable to follow these guidelines, or do not have the necessary equipment, consult a qualified electrician.
2. Once you verify the power has been turned off correctly, proceed to the next step.
3. Remove screws and take off grill.
4. Wash grill with hot soapy water and dry immediately.
5. While holding blower wheel (to avoid damage or bending), use a hair dryer or vacuum on blow cycle to blow debris through the element (do not touch element).
6. Vacuum blower area without touching the element.
7. Do not lubricate motor.
8. Replace grill and secure with screws.
9. Turn thermostat to desired setting.
10. Turn power back on at the electrical panel board.

## Troubleshooting Chart

**\*CONSULT LOCAL ELECTRICAL CODES TO DETERMINE WHAT WORK MUST BE PERFORMED BY QUALIFIED ELECTRICAL SERVICE PERSONNEL**

Symptom	Problem	Solution
Breaker trips immediately upon energizing heater.	<ol style="list-style-type: none"> <li>1. Incorrect supply voltage.*</li> <li>2. Overloaded circuit.*</li> <li>3. A short circuit exists in the supply or heater wiring.*</li> <li>4. Defective circuit breaker.*</li> </ol>	<ol style="list-style-type: none"> <li>1. Verify that supply voltage matches the heater rating.</li> <li>2. The total amperage of all heaters on a branch circuit must not be more than 80% of the amperage rating of the circuit breaker and supply wire ratings. Use a lower wattage heater, or reduce the number of heaters on the circuit.</li> <li>3. Shorted supply or heater wires may be accompanied by severe sparking. Inspect all supply and heater wiring insulation for damage. Do not reset the circuit breaker until all electrical shorts have been repaired.</li> <li>4. Replace the circuit breaker.</li> </ol>
Heater fan operates, but does not discharge warm air.	<ol style="list-style-type: none"> <li>1. Insufficient element temperature.</li> <li>2. Incorrect supply voltage.*</li> <li>3. Element has failed.*</li> </ol>	<ol style="list-style-type: none"> <li>1. Allow a few moments for element to reach operating temperature.</li> <li>2. Verify that supply voltage matches the heater rating.</li> <li>3. Replace element.</li> </ol>
Heater will not shut off.	<ol style="list-style-type: none"> <li>1. Heat loss from room is greater than heater capacity.*</li> <li>2. Defective thermostat.</li> <li>3. Thermostat wired incorrectly to heater.*</li> </ol>	<ol style="list-style-type: none"> <li>1. Close doors and windows. Provide additional insulation or install a higher-wattage heater or multiple heaters if necessary (if your circuit is rated for more capacity).</li> <li>2. Adjust thermostat to its lowest setting. If heater continues to run (allow two minutes for the thermostat to respond), and room temperature is greater than 50 degrees; replace thermostat.</li> <li>3. Refer to thermostat documentation and correct wiring.</li> </ol>
Heater discharges smoke or emits a burnt odor.	<ol style="list-style-type: none"> <li>1. Dust, lint or other matter has accumulated inside heater.</li> <li>2. Poor or loose electrical connections.</li> </ol>	<ol style="list-style-type: none"> <li>1. Clean heater (see "Maintenance" section above for instructions).</li> <li>2. Turn off power at circuit breaker. Inspect all supply and heater wire connections to make sure nothing is loose or poorly connected. Secure or reconnect all loose connections. Do not reset circuit breaker until all connections have been checked and repaired.</li> </ol>
Element heats for a moment without the fan turning, then immediately stops heating.	<ol style="list-style-type: none"> <li>1. Defective motor or internal connection.*</li> <li>2. Fan or motor jammed.</li> </ol>	<ol style="list-style-type: none"> <li>1. Heater or fan motor requires replacement.</li> <li>2. Remove obstruction, and press heater manual reset button (see "Operating" section for instructions).</li> </ol>
Heater does not run.	<ol style="list-style-type: none"> <li>1. Thermostat set too low.</li> <li>2. Heater has tripped the manual reset temperature limit control.</li> <li>3. Power not on at the circuit breaker.</li> <li>4. Broken or poorly connected wire(s) to heater.</li> <li>5. Defective thermostat.</li> </ol>	<ol style="list-style-type: none"> <li>1. Adjust thermostat to a higher temperature until heater operates (see Problem #5 if the problem persists).</li> <li>2. Press the manual reset button (see "Operating" section for instructions).</li> <li>3. Turn on the correct circuit breaker in the main panel.</li> <li>4. Turn off power at circuit breaker. Check supply wire continuity and proper connection to heater wires.</li> <li>5. The entire heater, or any of its components may be checked for continuity to determine the cause of any problem. Repair or replace the heater or thermostat.</li> </ol>
Heater continually trips the manual reset temperature limit control.	<ol style="list-style-type: none"> <li>1. Dust, lint or other matter has accumulated inside heater.</li> <li>2. Airflow is blocked.</li> <li>3. Fan or motor is jammed.</li> <li>4. None of the above.</li> </ol>	<ol style="list-style-type: none"> <li>1. Clean heater (see "Maintenance" section for instructions.)</li> <li>2. Remove obstruction. Maintain a minimum distance of 6 inches from adjacent surfaces, 4.5 inches from the floor, and 3 feet for furniture or other objects placed directly in front of the heater.</li> <li>3. Remove obstruction, and press heater manual reset button (see "Operating" section for instructions).</li> <li>4. Replace heater assembly.</li> </ol>

### Beneficios En Las Que Puede Confiar

- Seguro para usted y su familia  
Tranquilidad gracias a la función de apagado automático por alta temperatura
- Mejor circulación de aire y comodidad con el soplador más grande y potente
- Silencioso, eficiente y sofisticado—diseñado pensando en usted

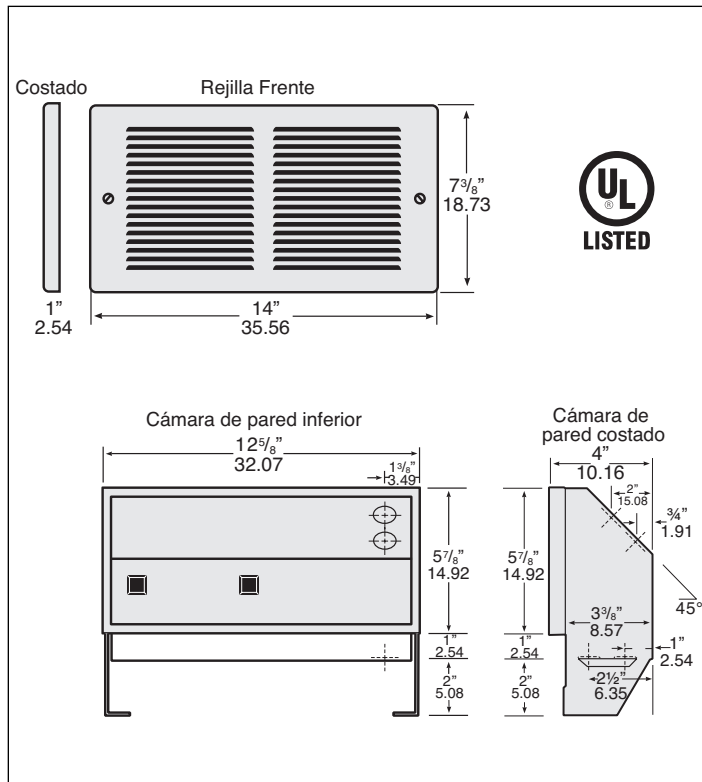
1. SIN bordes filosos
2. Resistentes a la corrosión
3. Calentador fácil de instalar con un solo tornillo
4. Cámara de pared compacta fácil de instalar
5. Aspecto elegante que armoniza en forma natural



- Su calentador Cadet ha sido completamente probado y cuenta con una **garantía extendida de 5 años**

Modelos Register			
Voltaje Línea	Modelo sin Termostato	Vatios	Amps
120	RM151	500/1000/1500	4.17/8.33/12.50
	RM108	1000	4.81
208	RM158	1500	7.21
	RM168	700/900/1600	3.37/4.33/7.69
	RM208	2000	9.62
240 (1)	RM102	1000/750	4.17/3.61
	RM162	700/900/1600	2.92/3.75/6.67
	RM202	2000/1500	8.33/7.21
	RM222	2250/1687	9.37/8.11

(1) Los modelos de 240 voltios pueden usarse a 208 voltios. El vatiaje es igual al 75% de la potencia nominal de 240 v.



Nota: Se requiere un juego de termostato mural o incorporado para mayor comodidad y control del calor

- HERRAMIENTAS NECESARIAS:
- Cuchillo multiuso
  - Destornillador Phillips
  - Destornillador plano
  - Pelacables
  - (4) tornillos de 1 1/2" para madera
  - Conectores de alambre aislados
  - (1) conector de alivio de tensión

# INSTRUCCIONES IMPORTANTES

## ⚠️ ADVERTENCIA

Al utilizar artefactos eléctricos, siempre se deben adoptar precauciones básicas para reducir el riesgo de incendios, electrocución y lesiones personales, incluyendo lo siguiente:

1. Lea todas las instrucciones antes de instalar o usar este calentador.

## 2. ⚠️ ADVERTENCIA

Riesgo de incendio. Este calentador se calienta mucho cuando está en uso. Precaución – Alta temperatura. Riesgo de incendio. Mantenga los cables eléctricos, cortinas, muebles, y demás materiales combustibles a por lo menos 3 pies por delante y a 6 pulgadas por encima y por ambos costados del calentador.

## 3. ⚠️ ADVERTENCIA

Riesgo de quemaduras. Para evitar quemaduras, no lo toque con su piel descubierta. Tenga mucho cuidado cuando algún tipo de calentador sea usado por o cerca de niños o de personas inválidas, y cada vez que lo deje funcionando sin vigilancia.

## 4. ⚠️ ADVERTENCIA ⚠️

Riesgo de electrocución. No opere ningún calentador después de una avería. Desconecte la alimentación en el panel de servicio y pida a un técnico electricista calificado que lo revise antes de volver a usarlo.

## 5. ⚠️ ADVERTENCIA

No lo use a la intemperie.

6. Para desconectarlo, ponga los controles en OFF, y apague la alimentación del circuito del calentador en el panel de desconexión principal.

## 7. ⚠️ ADVERTENCIA ⚠️

Riesgo de electrocución. No introduzca ni permita que ingresen objetos en las aberturas de la ventilación o escape, ya que ello puede causar electrocución o incendio, o bien dañar el calentador.

## 8. ⚠️ ADVERTENCIA

Riesgo de incendio. Para evitar posibles incendios, no bloquee las tomas de aire ni el escape de manera alguna.

## 9. ⚠️ ADVERTENCIA

Podrían producirse explosiones o incendios. Todo calentador contiene piezas que se calientan y pueden producir arcos voltaicos o chispas. No lo use en áreas donde se utilice o almacene gasolina, pintura o vapores o líquidos inflamables.

10. Use este calentador sólo como se describe en este manual. Todo otro uso no recomendado por el fabricante puede causar incendios, descargas eléctricas o lesiones personales.

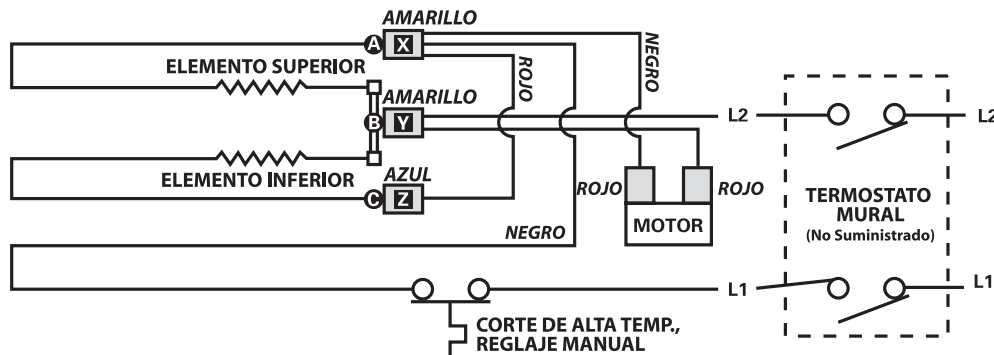
11. El calentador debe instalarse correctamente antes de usarlo.

## 12. ⚠️ ADVERTENCIA ⚠️

Riesgo de electrocución e incendio. No lo opere sin la rejilla.

13. Conserve estas instrucciones.

## Diagramas de cableado



# CONSERVE ESTAS INSTRUCCIONES

cadetheat.com Tel: 360-693-2505 PO Box 1675 Vancouver, WA 98668-1675



# INSTRUCCIONES PARA LA INSTALACIÓN

## 1. ⚠️ ADVERTENCIA

Verifique que todos los cables de suministro eléctrico sean del mismo voltaje que el calentador.

2. Si va a reemplazar un calentador existente, revise la etiqueta del calentador antiguo.

3. Todo trabajo y materiales eléctricos deben cumplir con el Código Eléctrico Nacional ("NEC", por su sigla en inglés), con la Ley de Seguridad y Salud Ocupacional ("OSHA", por su sigla en inglés) y con todos los códigos estatales y locales.

4. Si se debe instalar un nuevo circuito o se necesita información adicional sobre el cableado, consulte a un electricista calificado.

5. Use conductores de cobre solamente.

## 6. ⚠️ ADVERTENCIA ⚠️

Riesgo de electrocución. NO instale el calentador directamente sobre la tina o lavamanos. NO lo instale en la zona de la ducha (el fabricante recomienda un espacio mínimo de 2 pies).

7. El calentador debe instalarse en una cámara de pared:

Modelo RM Cámara de Pared RMC

## 8. ⚠️ ADVERTENCIA

Riesgo de incendio. NO instale el calentador en el piso, en el cielo raso, bajo la barra de la toalla, detrás de una puerta ni en ningún otro lugar en el que la descarga de aire se pueda bloquear de alguna manera.

## 9. ⚠️ ADVERTENCIA

Podrían producirse explosiones o incendios. Todo calentador contiene piezas que se calientan y pueden producir arcos voltaicos o chispas. No lo use en áreas donde se utilice o almacene gasolina, pintura o vapores o líquidos inflamables.

## 10. ⚠️ ADVERTENCIA ⚠️

Riesgo de electrocución. Conecte el conductor a tierra al cable espiral de puesta a tierra suministrado. Evite que entren objetos extraños al calentador.

## 11. ⚠️ ADVERTENCIA

Riesgo de incendio. Este calentador se calienta mucho cuando está en uso. Precaución – Alta temperatura. Riesgo de incendio. Mantenga los cables eléctricos, cortinas, muebles, y demás materiales combustibles a por lo menos 3 pies por delante y a 6 pulgadas por encima y por ambos costados del calentador.

## Parte Uno

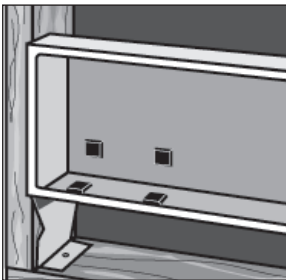
**UBICACIÓN:** Para obtener mejores resultados, instale el calentador Register Plus en una pared interior. No se necesitan brochales ni soportes. **NOTA:** La cámara de pared debe instalarse sólo con la parte superior hacia arriba (posición horizontal). No se ha aprobado el uso del calentador para montaje en cielo raso.

**TERMOSTATO:** Se requiere un termostato. Se recomienda usar un termostato electrónico Cadet para una comodidad y un control óptimos.

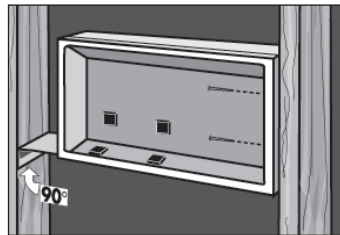
### ¿Cómo se instala el calentador en paredes de construcciones nuevas?

#### PASO 1 Montaje de la cámara de pared

La distancia MÍNIMA REQUERIDA es de 6 pulgadas desde las superficies adyacentes y 4-1/2 pulgadas desde el piso (consulte la figura 4). Sin embargo, Cadet RECOMIENDA 12 pulgadas desde las superficies adyacentes y el piso para lograr un rendimiento más prolongado y limpio. Si se instalan varios calentadores, deje al menos tres pies entre ellos. Fije la cámara de pared a los puntales y/o el larguero mediante tornillos a través de los orificios más grandes (3/16 de pulgada). (Consulte las figuras 1 y 2).



**Figura 1**  
Las patas metálicas posicionan la cámara de pared de modo que quede el espacio mínimo entre ésta y el piso.



**Figura 2**  
Doble una pata en 90 grados para una instalación a mayor altura y fijela a los puntales.



La superficie de la cámara de pared debe sobresalir entre 1/2 pulgada y 5/8 de pulgada de la superficie del puntal a fin de dejar espacio para la lámina de yeso. Monte la cámara de pared a ras con la superficie acabada.

**Figura 3**

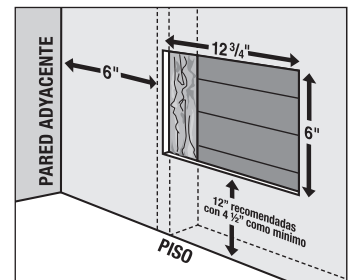
### ¿Cómo se instala el calentador en una pared existente?

#### PASO 1 Corte un orificio en la pared

Corte un orificio de 12 3/4 pulgadas de ancho por 6 de alto al lado del puntal de la pared. La distancia MÍNIMA REQUERIDA es de 6 pulgadas desde las superficies adyacentes y 4-1/2 pulgadas desde el piso (consulte la figura 4). Sin embargo, Cadet RECOMIENDA 12 pulgadas desde las superficies adyacentes y el piso para lograr un rendimiento más prolongado y limpio. Si se instalan varios calentadores, deje al menos tres pies entre ellos.

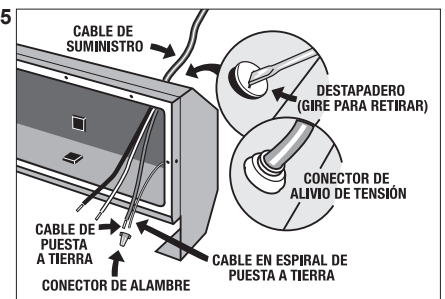
#### PASO 2 Instalación de los cables de suministro

Dirija el cable de suministro desde el cortacircuito al termostato mural y luego a la cámara de pared. Quite un destapadero y fije el cable de suministro mediante un conector de alivio de tensión dejando 10 pulgadas de cable de conexión para utilizarlo más adelante (consulte la figura 4). Conecte el cable de puesta a tierra de suministro al cable en espiral de conexión a tierra situado en la cámara de pared.



**Figura 4**

**Figura 5**



# INSTRUCCIONES PARA LA INSTALACIÓN (continuación)

## Parte Uno

### ¿Cómo se instala el calentador en paredes de construcciones nuevas?

#### PASO 2 Instalación de los cables de suministro

Dirija el cable de suministro desde el cortacircuito al termostato y a la cámara de pared. Quite un destapadero y coloque el cable de suministro mediante un conector de alivio de tensión dejando 10 pulgadas de cable de conexión para utilizarlo más adelante. Conecte el alambre de suministro a tierra al cable espiral de puesta a tierra situado en la cámara de pared (consulte la figura 5).

Continúe con la PARTE DOS.

### ¿Cómo se instala el calentador en una pared existente?

#### PASO 3 Montaje de la cámara de pared

Inserte la cámara de pared, con las patas por delante, en la abertura y gírela para introducirla en la pared. Manteniendo la parte delantera de la cámara al ras con la superficie acabada, fije la cámara al puntal con 2 tornillos a través de los cuatro orificios grandes (de 3/16 de pulgada). (Consulte las figuras 6 y 7).

**IMPORTANTE:** Coloque dos tornillos para paredes de yeso en los orificios pequeños en frente del puntal de la pared de yeso a fin de apoyar el calentador en la parte posterior de la lámina (manteniendo la cámara al ras con la pared).

Continúe con la PARTE DOS.

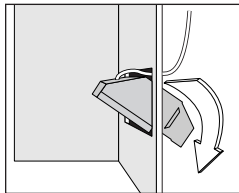


Figura 6

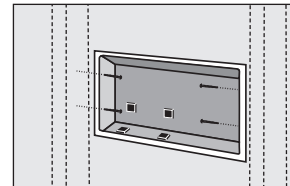


Figura 7

## Parte Dos

Si va a instalar un calentador de vatiaje múltiple, números de modelo RM151, RM162, o RM168 comience por el PASO 1 a continuación. Si va a instalar un RM202, RM208, RM158 o RM108, comience por el PASO 2 a continuación.

### PASO 1 Configuración de alambres del elemento (sólo modelos de vatiaje múltiple RM151, RM162 o RM168)

El calentador Cadet RM de vatiaje múltiple ofrece una gran variedad de opciones de generación de calor. Primero debe determinar el vatiaje deseado y luego configurar las conexiones de alambres del elemento calentador. El calentador viene configurado de fábrica para 1600 vatios (240 V) o (208 V) en el caso del modelo RM162 y RM168, y 1500 vatios (120 V) en el caso del RM151. Si éste es el vatiaje que desea, proceda con el PASO 2.

Como referencia futura para los modelos RM151, RM162 y RM168, anote el vatiaje utilizado en el diagrama de cableado situado en la parte posterior del calentador.

MODELO	VOLTAJE	SI EL VATIAJE QUE DESEA ES:	LOS ALAMBRES SE DEBEN CONFIGURAR ASÍ:	
			Elemento superior <b>A</b>	Elemento inferior <b>C</b>
			<b>900W-240V</b>	<b>700W-240V</b>
RM162	240V	1600	Terminal Amarillo <b>X</b>	Terminal Azul <b>Z</b>
		900	Terminal Amarillo <b>X</b>	Ninguno (*)
		700	Ninguno (*)	Terminal Amarillo <b>X</b>
			<b>900W-208V</b>	<b>700W-208V</b>
RM168	208V	1600	Terminal Amarillo <b>X</b>	Terminal Azul <b>Z</b>
		900	Terminal Amarillo <b>X</b>	Ninguno (*)
		700	Ninguno (*)	Terminal Amarillo <b>X</b>
			<b>1000W-120V</b>	<b>500W-120V</b>
RM151	120V	1500	Terminal Amarillo <b>X</b>	Terminal Azul <b>Z</b>
		1000	Terminal Amarillo <b>X</b>	Ninguno (*)
		500	Ninguno (*)	Terminal Amarillo <b>X</b>

\*Corte el terminal azul del alambre rojo y cúbralo con cinta para uso eléctrico. El terminal amarillo **Y** permanece conectado a **B**. No lo toque. En el diagrama de cableado de la página 8 encontrará las posiciones de los terminales.

Figura 8a Tabla de cableado del modelo RM

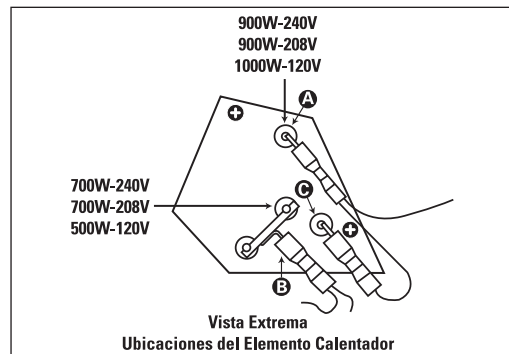


Figura 8b

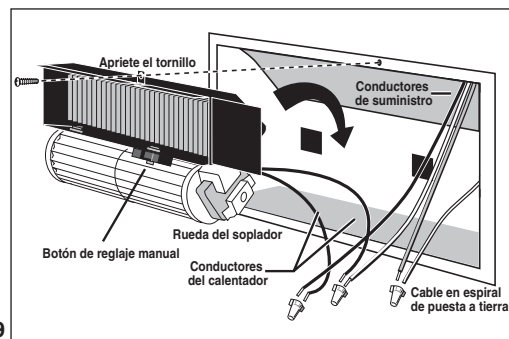


Figura 9

### PASO 2 Instale la unidad del calentador

Instale el conjunto del calentador (rueda del soplador primero) en el costado izquierdo de la cámara de pared. Afíncelo en la parte superior con el tornillo que se proporciona. Desamarre los alambres conductores del calentador. Conecte los alambres de suministro con los del calentador (consulte la figura 9). Mantenga todos los alambres lejos de las conexiones del elemento al introducirlos en el espacio libre a la derecha del calentador.

### PASO 3 Instale la rejilla

Fije la rejilla con los tornillos suministrados. Si tiene un modelo con termostato incorporado, deslice la perilla del termostato hacia el eje. Conecte la alimentación en el tablero del panel eléctrico.

# OPERACIÓN DEL CALENTADOR

**⚠ ADVERTENCIA** Riesgo de electrocución e incendio.

El calentador debe instalarse correctamente antes de usarlo.

1. No lo opere sin la rejilla.
2. Mantenga los cables eléctricos, cortinas, muebles, y demás materiales combustibles a por lo menos 3 pies por delante y a 6 pulgadas de los costados del calentador.
3. No manipule el control limitador de sobretemperatura.
4. Si los limitadores de sobretemperatura se disyuntan más de una vez al día, se debe reemplazar el calentador.

5. Limpie el calentador por lo menos cada seis meses.

6. Después de dejar que el calentador se enfríe, desconecte la electricidad en el panel de cortacircuitos antes de retirar la rejilla.

7. Use una secadora o aspiradora en el ciclo de soplado para quitar la suciedad en el elemento superior (sin tocarlo).

8. Instale la rejilla antes de conectar la energía.

**⚠ ADVERTENCIA:** Toda otra labor no detallada en esta Guía para el propietario la debe efectuar un representante de servicio autorizado.

## Cómo hacer funcionar el calentador

La temperatura ambiente es controlada por un termostato de voltaje de línea situado ya sea en la pared o incorporado en el calentador.

1. Una vez que se haya realizado la instalación y reestablecido la energía eléctrica, gire totalmente la perilla del termostato en el sentido de las manecillas del reloj.
2. Cuando la habitación haya alcanzado un nivel cómodo, gire la perilla del termostato en sentido contrario a las manecillas del reloj hasta que el calentador se apague. El calentador se encenderá y apagará automáticamente según esta temperatura preestablecida.
3. Para reducir la temperatura del ambiente, gire la perilla en sentido contrario a las manecillas del reloj. Para aumentar la temperatura del ambiente, gire la perilla en el sentido de las manecillas del reloj.

## Acerca del control de límite de temperatura de reglaje manual

El calentador está protegido por un control limitador de temperatura con reglaje manual, el cual está diseñado para abrir el circuito del calentador cuando se detectan temperaturas de funcionamiento excesivas. El problema debe evaluarse y el límite debe restablecerse para que el calentador vuelva a funcionar.

## Cómo restablecer el control de límite de reglaje manual

### Cómo restablecer el control limitador de temperatura de reglaje manual

Si el control limitador de reglaje manual ha abierto el circuito del calentador debido a temperaturas de funcionamiento excesivas, el calentador no funcionará sino hasta que se oprima el botón de límite de reglaje manual. Después de dejar que la unidad se enfríe durante unos 10 minutos y resolver el problema que causa que se disyunte el interruptor de límite, utilice un objeto puntiagudo como un bolígrafo para acceder al botón de reglaje manual a través de la sección central inferior derecha de la rejilla del calentador. Oprima el botón **FIRMEMENTE** y asegúrese de escuchar y sentir un chasquido indicando que se ha restablecido.

## Garantía

Para lograr una operación más eficaz y segura y prolongar la vida útil del calentador, lea la Guía del propietario y siga las instrucciones de mantenimiento. Si no le da el mantenimiento adecuado al calentador invalidará la garantía y puede hacer que el aparato funcione incorrectamente. Las garantías no son transferibles y rigen sólo para el comprador original. Los términos de la garantía se indican a continuación.

**GARANTÍA LIMITADA DE CINCO AÑOS:** Cadet reparará o reemplazará todo calentador Register (RM) que se determine esté averiado en un plazo de cinco años a partir de la fecha de compra.

### Estas garantías no son pertinentes para:

1. Daños que sufra el producto por instalación o voltaje de suministro incorrectos;
2. Daños que sufra el producto por mantenimiento incorrecto, uso indebido, abuso, accidente o alteraciones;
3. Servicio que se le haya dado al producto por parte de personas o entidades ajenas a Cadet.
4. Casos en que no se pueda determinar la fecha de fabricación del producto;
5. Casos en que el producto resulte dañado durante el embarque por causas ajenas a Cadet.
6. LA GARANTÍA DE CADET SE LIMITA A LA REPARACIÓN O REEMPLAZO, TAL COMO SE ESTABLECE EN ESTE DOCUMENTO. CADET NO SE HARÁ RESPONSABLE POR DAÑOS A LA PROPIEDAD O DAÑOS CONSECUENTES, COMO TAMPOCO POR GASTOS ACCIDENTALES DEBIDO AL INCUMPLIMIENTO DE ESTAS GARANTÍAS ESCRITAS O DE CUALQUIER GARANTÍA EXPRESA O IMPLÍCITA.

7. EN CASO DE QUE CADET DECIDA REEMPLAZAR ALGUNA PIEZA DEL PRODUCTO CADET, LOS REPUESTOS SE REGISTRARÁN POR LAS MISMAS GARANTÍAS DEL PRODUCTO. LA INSTALACIÓN O REEMPLAZO DE LOS REPUESTOS NO MODIFICA NI PROLONGA LAS GARANTÍAS VIGENTES. EL REEMPLAZO O REPARACIÓN DE TODO PRODUCTO O PIEZA CADET NO ORIGINA NINGÚN TIPO DE NUEVA GARANTÍA.

8. Estas garantías le otorgan derechos legales específicos y es posible que usted tenga otros derechos que varíen de un estado a otro. Cadet no asume ni autoriza a nadie que lo haga en su nombre, ninguna otra obligación o responsabilidad en relación con sus productos que no sean las que se establecen en este documento.

Si durante el período de garantía usted considera que su producto Cadet presenta defectos, comuníquese con Cadet Manufacturing Co. llamando al 360-693-2505 para obtener instrucciones sobre cómo tramitar la reparación o el reemplazo del producto. Los reclamos de garantía presentados después de la finalización del período no serán acogidos. Los productos que se devuelvan sin autorización serán rechazados.

### Repuestos y servicio

En [cadetheat.com/parts-service](http://cadetheat.com/parts-service) encontrará información sobre dónde obtener repuestos y servicio.

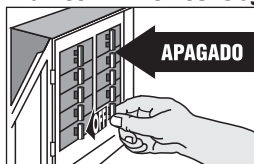


### Reduzca-reutilice-recicle

Este producto está hecho principalmente de materiales reciclables. Puede reducir la cantidad de carbono que contribuye al medio ambiente reciclando este producto al término de su vida útil. Comuníquese con su centro local de reciclaje para obtener mayores instrucciones al respecto.

# MANTENIMIENTO DEL CALENTADOR

**Mantenimiento** Según sea necesario, o cada seis meses como mínimo.



**⚠ ¡ADVERTENCIA!** Desconecte la electricidad en el tablero del panel eléctrico (caja de cortacircuitos o fusibles) y trabe o coloque un cartel en la puerta del tablero del panel para evitar que alguien vuelva a conectar la energía mientras se esté trabajando en el calentador. De lo contrario podrían producirse graves golpes eléctricos, quemaduras e incluso la muerte.

**⚠ ADVERTENCIA:** Toda otra labor no detallada en esta Guía para el propietario la debe efectuar un representante de servicio autorizado.

1. Antes de proceder, es importante que usted verifique que se haya desconectado la alimentación y que el calentador no reciba energía. Los cortacircuitos no suelen estar correctamente marcados, y apagar el incorrecto podría significar que sigue fluyendo electricidad al calentador, aun cuando éste parezca no estar funcionando. Si no se siente cómodo al trabajar con artefactos eléctricos, no está en condiciones de acatar estas pautas o no cuenta con los equipos necesarios, solicite los servicios de un técnico electricista calificado.

2. Una vez que verifique que se ha apagado la alimentación correctamente, prosiga con el paso siguiente.

3. Retire los tornillos y extraiga la rejilla.

4. Lave la rejilla con agua caliente y jabón, y séquela de inmediato.

5. Mientras sujeta la rueda del soplador (para evitar que se dañe o tuerza), utilice una secadora o una aspiradora en el ciclo de soplado para quitar la suciedad en el elemento superior (sin tocarlo).

6. Aspire el área del ventilador sin tocar los elementos.

7. No lubrique el motor.

8. Vuelva a instalar la rejilla y fijela con los tornillos.

9. Coloque el termostato en la graduación deseada.

10. Vuelva a conectar la alimentación en el tablero del panel eléctrico.

## Tabla de resolución de problemas

**\*CONSULTE LOS CÓDIGOS ELÉCTRICOS LOCALES PARA DETERMINAR QUÉ TRABAJOS DEBEN SER REALIZADOS POR PERSONAL DE SERVICIO ELÉCTRICO CALIFICADO.**

Síntoma	Problema	Solución
El interruptor se disyunta inmediatamente al encenderse el calentador.	<ol style="list-style-type: none"> <li>1. Voltaje de suministro incorrecto.*</li> <li>2. Circuito sobrecargado.*</li> <li>3. Hay un cortocircuito en los cables de suministro o del calentador.*</li> <li>4. Cortacircuito defectuoso.*</li> </ol>	<ol style="list-style-type: none"> <li>1. Compruebe que el voltaje de suministro coincida con la calificación del calentador.</li> <li>2. El amperaje total de todos los calentadores en un circuito de rama no debe sobrepasar el 80% de la calificación de amperaje del cortacircuito y de las calificaciones de los cables de suministro. Utilice un calentador de voltaje inferior o reduzca la cantidad de calentadores en el circuito.</li> <li>3. Los cables de suministro o del calentador que presentan cortocircuitos pueden ocasionar chispas peligrosas. Revise el aislamiento de todos los cables de suministro y del calentador para comprobar que no estén dañados. No reestablezca el cortacircuito sino hasta que se hayan reparado todos los cortocircuitos eléctricos.</li> <li>4. Reemplace el cortacircuito.</li> </ol>
El ventilador del calentador funciona pero no envía aire caliente.	<ol style="list-style-type: none"> <li>1. Temperatura insuficiente del elemento.</li> <li>2. Voltaje de suministro incorrecto.*</li> <li>3. El elemento ha fallado.*</li> </ol>	<ol style="list-style-type: none"> <li>1. Espere unos momentos para que el elemento alcance la temperatura de funcionamiento.</li> <li>2. Compruebe que el voltaje de suministro coincida con la calificación del calentador.</li> <li>3. Reemplace el elemento.</li> </ol>
El calentador no se apaga.	<ol style="list-style-type: none"> <li>1. La fuga de calor de la habitación es superior a la capacidad del calentador.*</li> <li>2. Termostato defectuoso.</li> <li>3. Termostato cableado al calentador de forma incorrecta.*</li> </ol>	<ol style="list-style-type: none"> <li>1. Cierre las puertas y ventanas. Coloque aislamiento adicional o instale un calentador de mayor vatiaje o múltiples calentadores si fuese necesario (si su circuito es apto para mayor capacidad).</li> <li>2. Ajuste el termostato a la graduación más baja. Si el calentador continúa funcionando (espere un par de minutos para que el termostato tenga tiempo de responder al ajuste) y la temperatura del ambiente es superior a 50 grados, reemplace el termostato.</li> <li>3. Consulte la documentación del termostato y cableado correcto.</li> </ol>
El calentador emite humo o un olor a quemado.	<ol style="list-style-type: none"> <li>1. Se han acumulado polvo, pelusas u otros materiales dentro del calentador.</li> <li>2. Conexiones eléctricas deficientes o sueltas.</li> </ol>	<ol style="list-style-type: none"> <li>1. Limpie el calentador (consulte las instrucciones en la sección "Mantenimiento del Calentador").</li> <li>2. Desconecte la energía en el cortacircuito. Inspeccione todas las conexiones de alambres del suministro y del calentador para cerciorarse de que no haya nada suelto ni mal conectado. Afiance o reconecte todas las conexiones sueltas. No restablezca el cortacircuito sino hasta haber revisado y reparado todas las conexiones.</li> </ol>
El elemento calienta por un momento sin que gire el ventilador y luego deja de calentar.	<ol style="list-style-type: none"> <li>1. Motor o conexión interna defectuosos.*</li> <li>2. Ventilador o motor trabado.</li> </ol>	<ol style="list-style-type: none"> <li>1. Debe reemplazarse el calentador o el motor del ventilador.</li> <li>2. Retire la obstrucción y oprima el botón de reglaje manual del calentador (vea las instrucciones en la sección "Operación del Calentador").</li> </ol>
El calentador no funciona.	<ol style="list-style-type: none"> <li>1. El termostato se ha graduado muy bajo.</li> <li>2. El calentador ha disyuntado el control limitador de temperatura de reglaje manual.</li> <li>3. La energía no está conectada en el cortacircuito.</li> <li>4. El o los cables que van al calentador están rotos o mal conectados.</li> <li>5. Termostato defectuoso.</li> </ol>	<ol style="list-style-type: none"> <li>1. Ajuste el termostato a una temperatura más alta hasta que el calentador funcione (vea el Problema No. 5 si la dificultad persiste).</li> <li>2. Oprima el botón de reglaje manual (vea las instrucciones en la sección "Operación del Calentador").</li> <li>3. Conecte el cortacircuito correcto en el panel principal.</li> <li>4. Desconecte la energía en el cortacircuito. Revise la continuidad del cable de suministro y la conexión apropiada a los cables del calentador.</li> <li>5. Se debe revisar la continuidad de todo el calentador, o bien de sus componentes a fin de determinar la causa de cualquier problema. Repare o reemplace el calentador o termostato.</li> </ol>
El calentador disyunta continuamente el control limitador de temperatura de reglaje manual.	<ol style="list-style-type: none"> <li>1. Se han acumulado polvo, pelusas u otros materiales dentro del calentador.</li> <li>2. El flujo de aire está bloqueado.</li> <li>3. El ventilador o el motor está trabado.</li> <li>4. Ninguna de las anteriores.</li> </ol>	<ol style="list-style-type: none"> <li>1. Limpie el calentador (vea las instrucciones en la sección "Mantenimiento del Calentador").</li> <li>2. Retire la obstrucción. Mantenga una distancia mínima de 6 pulgadas de las superficies adyacentes, 4.5 pulgadas del piso y 3 pies de los muebles u otros objetos situados directamente delante del calentador.</li> <li>3. Retire la obstrucción y oprima el botón de reglaje manual del calentador (vea las instrucciones en la sección "Operación del Calentador").</li> <li>4. Reemplace el conjunto del calentador.</li> </ol>