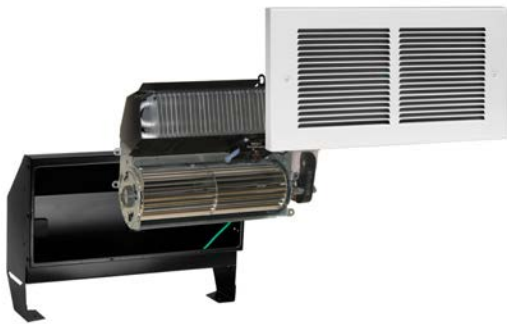


REGISTER

Powerful performance
for any room



- Enjoy complete warmth, thanks to a powerful air fan
- Vent-style grill blends in with any décor
- Rest easy—includes high-temperature safety shutoff feature
- Pre-formed, bendable legs make mounting and installation easy
- Offers fixed and multi-watt capabilities
- One-screw mounting for fast installation into the recessed wall can
- Count on years of reliable operation with a heavy-duty steel heating element and blower

Safe, durable, and powerful—the Register heater operates quietly with outstanding warm air circulation. A grill design similar to most central system air vents makes it a perfect fit in any room.

ARCHITECTURAL - ENGINEERING INFORMATION

Fan forced up flow electric air heaters are UL listed, factory rated at 120V, 208V or dual field rated 208V/240V. A powder coated 20 gauge wall mounting can with four knockouts is provided with each complete heater. The element and blower are of unitized construction and attach to the wall can with a single screw. Element construction is a coiled nichrome heating wire sealed in a steel sheath with steel fins brazed to the sheath, finished with a high temperature paint to prevent rust and corrosion. A manual reset, 25 amp rated, at 240V, thermal overload limit switch is standard. A tangential cylindrical blower delivering approximately 40 to 55 CFM is driven by an impedance protected motor with permanently lubricated vibration isolated with dust sealed bearings. Metal grill is of one piece construction and finished with a powder coated paint system.

TECHNICAL INFORMATION

UL safety standards require the heater to be placed a minimum distance of 6 inches (15.2 cm) from adjacent surfaces and 4-1/2 inches (11.4 cm) from the floor. Cadet recommends a 12-inch clearance from all surfaces for longer and cleaner performance. A 3-foot (91.44 cm) minimum clearance is required for furniture or other objects placed directly in front of the heater. This model is not approved for ceiling installation. Electric wall heaters and thermostats work best when installed on an inside wall. We recommend installing the heater assembly after walls are finished. Heater must be cleaned every six months minimum. A thermostat is required. For optimal comfort use a Cadet electronic wall stat. These models work best at elevations under 7500 feet.

CADET 
INVITING WARMTH

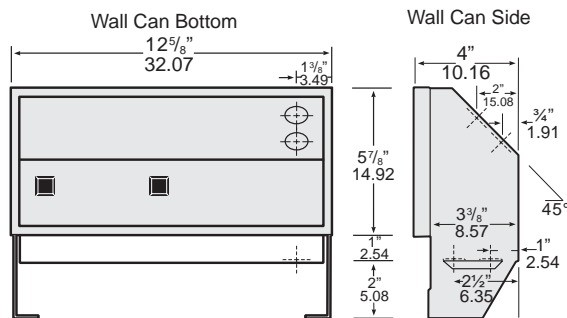
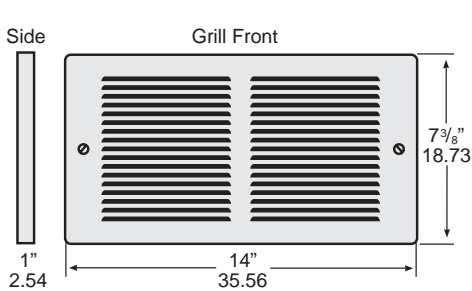
cadetheat.com
855.CADET.US
Vancouver, Washington



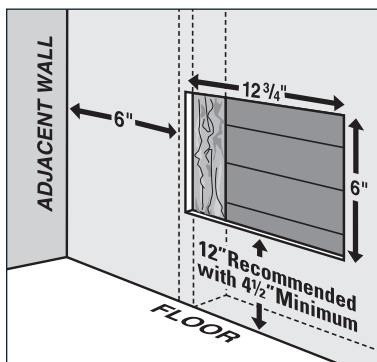
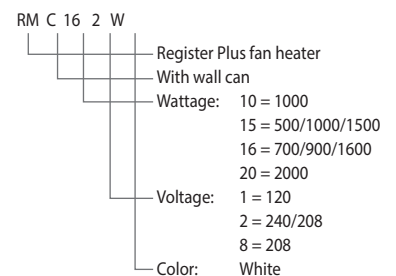
REGISTER

Grill: 14"W x 7-3/8"H x 1"D • Rough-in: 12-3/4"W x 6"H x 4"D
Heater assemblies require RMC wall can, grill kit and thermostat

| PART | MODEL | DESCRIPTION | WATTS | VOLTS | AMPS | BTUS | WT/LBS |
|-------|---------|--|------------------------------|-------------|----------------------------|----------------------------------|--------|
| 63315 | RMC151W | Complete unit with wall can and grill | 500/1000/1500 | 120 | 4.2/8.3/12.5 | 1710/3415/5120 | 9 |
| 63316 | RMC208W | " | 2000 | 208 | 9.6 | 6825 | 9 |
| 63314 | RMC162W | " | 700/900/1600 525/675/1200 | 240/208 | 2.9/3.8/6.7 2.5/3.3/5.8 | 2390/3075/5460 1795/2305/4095 | 9 |
| 63313 | RMC202W | " | 2000/1500 | 240/208 | 8.3/7.2 | 6825/5120 | 9 |
| 00308 | RM151 | Heater assembly without thermostat | 500/1000/1500 | 120 | 4.2/8.3/12.5 | 1710/3415/5120 | 4.5 |
| 00310 | RM108 | " | 1000 | 208 | 4.8 | 3415 | 4.5 |
| 00323 | RM158 | " | 1500 | 208 | 7.2 | 5120 | 4.5 |
| 00313 | RM168 | " | 700/900/1600 | 208 | 3.4/4.3/7.7 | 2390/3175/5460 | 4.7 |
| 00309 | RM208 | " | 2000 | 208 | 9.6 | 6825 | 4.5 |
| 00311 | RM102 | " | 1000/750 | 240/208 | 4.2/3.6 | 3415/2560 | 4.5 |
| 00307 | RM162 | " | 700/900/1600 525/675/1200 | 240/208 | 2.9/3.8/6.7 2.5/3.3/5.8 | 2390/3075/5460 1795/2305/4095 | 4.5 |
| 00306 | RM202 | " | 2000/1500 | 240/208 | 8.3/7.2 | 6825/5120 | 4.5 |
| 00322 | RM222 | " | 2250/1687 | 240/208 | 9.4/8.1 | 7680/5760 | 4.5 |
| 00275 | RMGW | Grill kit for model RM, single pack, white or almond | | | | | 1.5 |
| 00276 | RMGA | | | | | | |
| 63113 | RMGW5 | Grill kit for model RM, 5-pack, white or almond | | | | | 7.5 |
| 63114 | RMGA5 | | | | | | |
| 63115 | RMC | Wall can for model RM, single pack or 5-pack | | | | | 3.3 |
| 63116 | RMC5 | | | | | | |
| 63123 | RMT2W | Built-in thermostat kit for model RM, double pole, | | 240/208/120 | 25 | | .5 |
| 63124 | RMT2A | 40°F to 85°F, white or almond | | | | | |
| 63118 | RMS4W | Surface mount adapter for model RM, 4" deep, white | | | | | 6 |



Model No. Code



ROUGH-IN: 12-3/4"W x 6"H x 4"D