

Mirabelle®

UNDERMOUNT LAVATORY

Dimensions: 17-1/8" x 13-9/16" (interior)

Dimensions: 19-7/8" x 15-15/16" (exterior)

Product Codes:

MIRU1713WH (white)

MIRU1713BS (biscuit)

- Vitreous china with overflow
- Cutout template included
- Installation, operating, care and maintenance instructions included
- 1 year limited warranty
- Meets ASME Standard: A112.19.2M
- cUPC/IAPMO listed



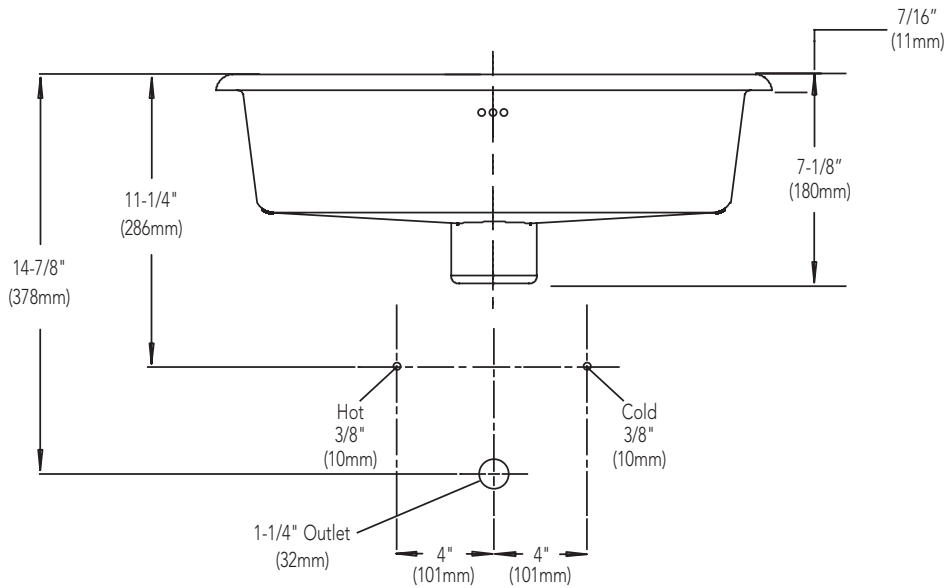
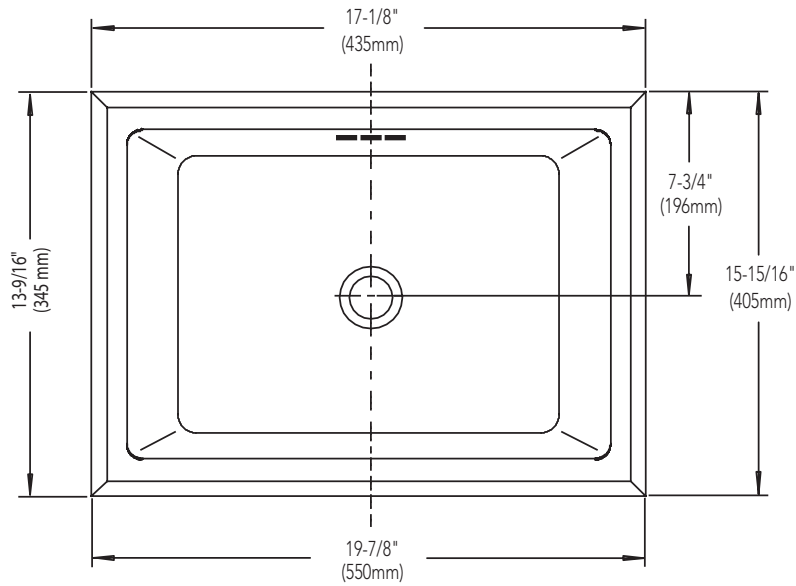
Mirabelle®

UNDERMOUNT LAVATORY

Product Codes:

MIRU1713WH (white)

MIRU1713BS (biscuit)



Note: All dimensions and specifications are nominal and may vary +/- 1/4". Use actual products for accuracy in critical situations.