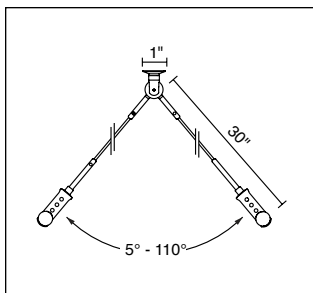


ENZIS INSTALLATION INSTRUCTIONS



DELTA SUPPORT

ART. NO.
140 150bz bronze
140 150mc matte chrome

TECHNICAL DATA

Description: Swivel joint support with dual support arms for connection at two points.
Design: Jorg Westerheide
Dimensions: length 30"
Material: brass, matte chrome plated

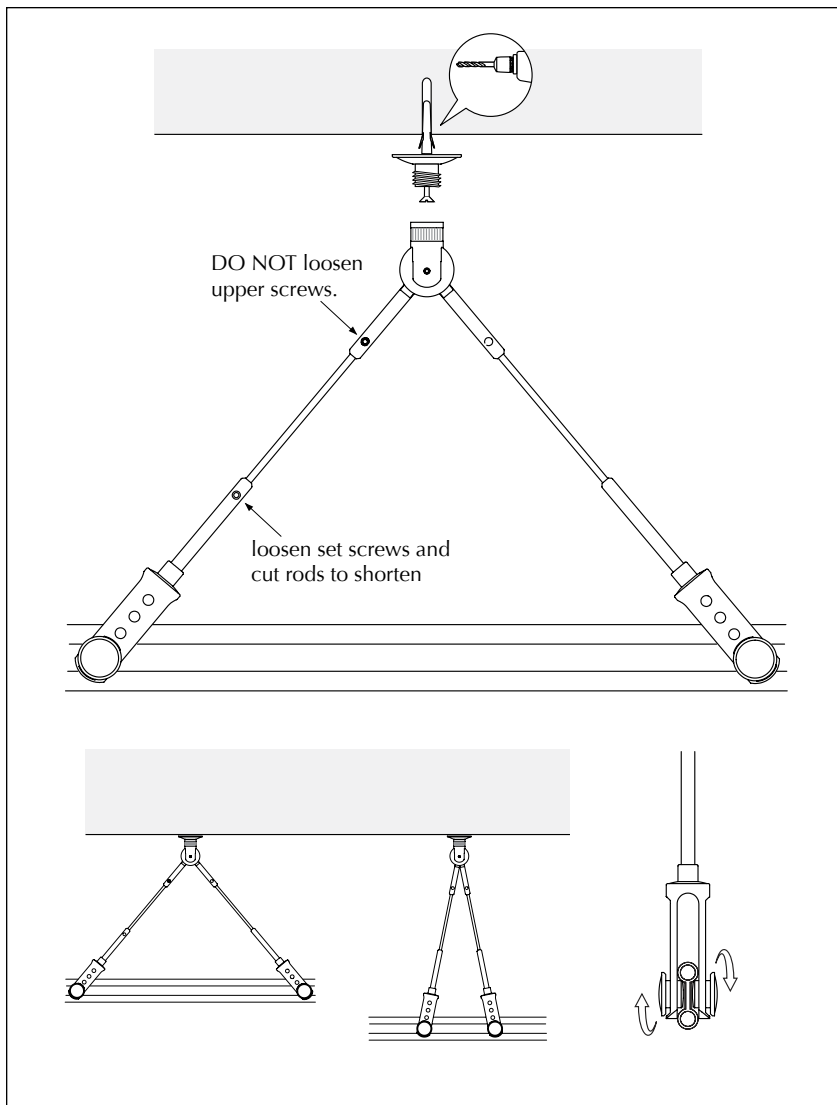
IMPORTANT SAFETY INSTRUCTIONS

1. THIS PRODUCT MUST BE INSTALLED BY A PERSON FAMILIAR WITH THE CONSTRUCTION AND OPERATION OF THE PRODUCT AND THE HAZARDS INVOLVED, IN ACCORDANCE WITH LOCAL NEC CODE.
2. FOR USE WITH ENZIS RAIL NETWORK ONLY.
3. The Enzis rail system is not intended for use with a power supply cord or convenience receptacle adaptor. This rail system is to be supplied by Bruck Lighting.
4. Do not install the Enzis rail system in damp or wet locations.
5. Do not install any part of a rail system less than 5 feet above the floor.
6. Do not install any fixture assembly closer than 6 inches from any curtain, or similar combustible material.
7. Disconnect electrical power before adding to or changing the configuration of the rail.
8. Do not attempt to energize anything other than lighting rail fixtures on the rail. To reduce the risk of fire and electric shock, do not attempt to connect power tools, extension cords, appliances, and the like to the rail.
9. This track system MUST BE HARD WIRED. For all the wire connections, use Listed Wire Nuts.
10. Do not connect a rail to more than one circuit unless the rail is constructed so that it can be used with more than on circuit. Check with a qualified electrician. Although the rail lighting system may seem to operate acceptably, a dangerous overload of the neutral may occur and result in a risk of fire.
11. Secondary connections must be clean and tight to avoid arcing and overheating!
12. Power Feed must be 3 inches away from any support and 6 inches away from fixture.
13. Warranty is void in case of unauthorized modifications and/ or improper use.

SAVE THESE INSTRUCTIONS AND REFER TO THEM WHEN ADDITIONS TO OR CHANGES IN THE TRACK CONFIGURATION ARE MADE

CONTENTS OF DELIVERY

- 1 delta support with wood screw and allen wrench.



USER MANUAL

PLANNING AID

- Use planning grid to decide all mounting locations prior to installation.
- Mark drill points on the ceiling.

INSTALLING SUPPORT

- Unscrew the base from the delta support and mount it to the ceiling with the screw.
- Screw the support back onto the base. Rotate the support so that it is in line with your track run before tightening the mounting screw completely.
- Shorten the support arms if desired. Loosen the set screws on the side of the arm to separate it from the support and cut to desired length. DO NOT loosen upper set screws.
- Loosen the thumb screws so that the Enzis track can be inserted. Adjust the distance between support arms to raise or lower the track.
- Tighten the thumb screws to complete the installation.