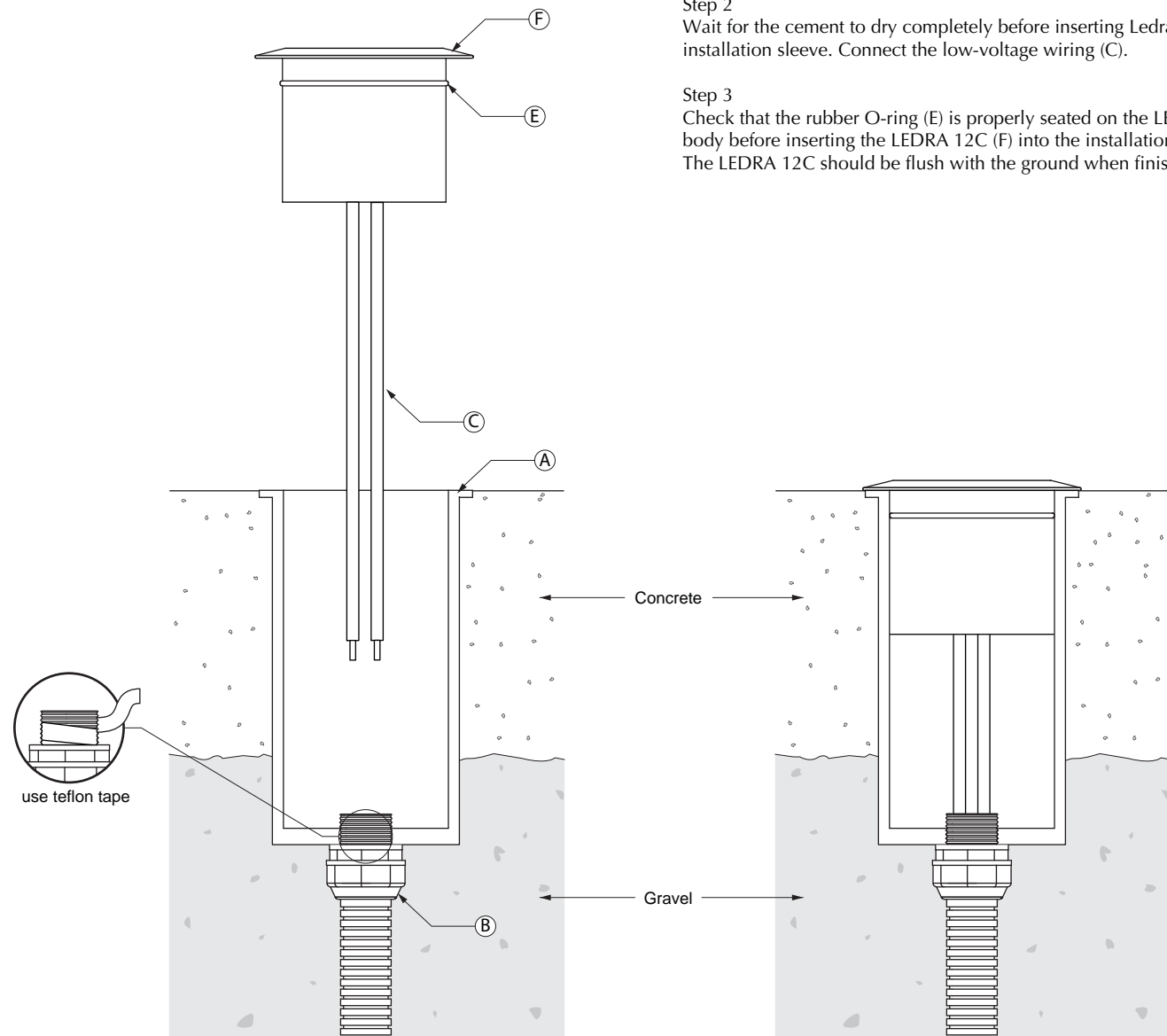


INSTALLATION INSTRUCTIONS

Step 1
For cement floor applications the installation sleeve (A) and conduit (B), must be ready for installation prior to cement pour. Feed the low-voltage wire (C) from the rigid PVC through the conduit (B). Leave about 5" of wire extended from the conduit. Connect the conduit (B) to the installation sleeve (A). Sink the installation sleeve (A) approximately 2" or more into the gravel. Pour the cement so that the top of the can is completely flush with the cement surface when complete.

Step 2
Wait for the cement to dry completely before inserting Ledra 12C into the installation sleeve. Connect the low-voltage wiring (C).

Step 3
Check that the rubber O-ring (E) is properly seated on the LEDRA 12C body before inserting the LEDRA 12C (F) into the installation sleeve (A). The LEDRA 12C should be flush with the ground when finished.



Part Identification:

- (A) Installation sleeve
- (B) Flexible conduit (supplied by others)
- (C) Low-voltage wire
- (E) Rubber O-ring
- (F) Stainless steel Ledra ARA12C body

BRUCK LIGHTING SYSTEMS
15774 Gateway Circle Tustin, CA. 92780
www.brucklighting.com

For more assistance with technical questions please call our technical support staff at (714) 259-9959. You can also contact us by email at info@brucklightingsystems.com.

BRUCK

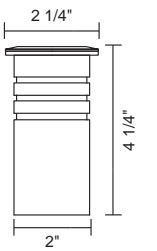
USA

INSTALLATION AND WIRING DIAGRAM

LEDRA

LEDRA™ 12C

| | | | | |
|----------|--------------|-----------------------|----------------|-----------------------|
| ART. NO. | 135 655/s/c | white 5000K, 10° lens | 135 655-1/s/c | white 3000K, 10° lens |
| | 135 655/s/f | white 5000K, 10° lens | 135 655-1/s/f | white 3000K, 10° lens |
| | 135 655/m/c | white 5000K 30° lens | 135 655-1/m/c | white 3000K 30° lens |
| | 135 655/m/f | white 5000K 30° lens | 135 655-1/m/f | white 3000K 30° lens |
| | 135 655/fl/c | white 5000K 45° lens | 135 655-1/fl/c | white 3000K 45° lens |
| | 135 655/fl/f | white 5000K 45° lens | 135 655-1/fl/f | white 3000K 45° lens |



IMPORTANT SAFETY INSTRUCTIONS

1. THIS PRODUCT MUST BE INSTALLED BY A PERSON FAMILIAR WITH THE CONSTRUCTION AND OPERATION OF THE PRODUCT AND THE HAZARDS INVOLVED, IN ACCORDANCE WITH THE LOCAL AND NATIONAL CODE.
2. This product must be wired in series to a Class 2 LED driver only with 700mA output.
3. Must use UL Listed 1/2" conduit (not provided).
4. SUITABLE FOR GROUND-MOUNTED RECESSED.
5. SUITABLE FOR USE IN POURED CONCRETE.
6. Turn off power prior to any work on the systems.
7. Warranty is void in case of unauthorized modifications and/ or improper use.

READ ALL OF THESE INSTALLATION INSTRUCTIONS BEFORE INSTALLING THE FIXTURE

Contents of Delivery:
LEDRA 12C - qty.1

Preinstallation notes:
The LEDRA 12C is not designed for use in under water applications and must not be placed in a location prone to water immersion. (fig a.) To ensure proper water drainage in a location susceptible to water accumulation a minimum of 12" of loose gravel and rocks should be used under the LEDRA 12C. (fig b.) Rigid PVC conduit and flexible conduit must be installed prior to installing the fixture. (fig c.)

