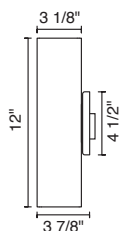
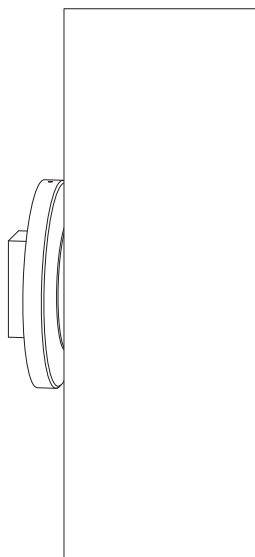


HOUSTON LED SCONCE



CONTENTS OF DELIVERY

fixture complete



IMPORTANT SAFETY INSTRUCTIONS



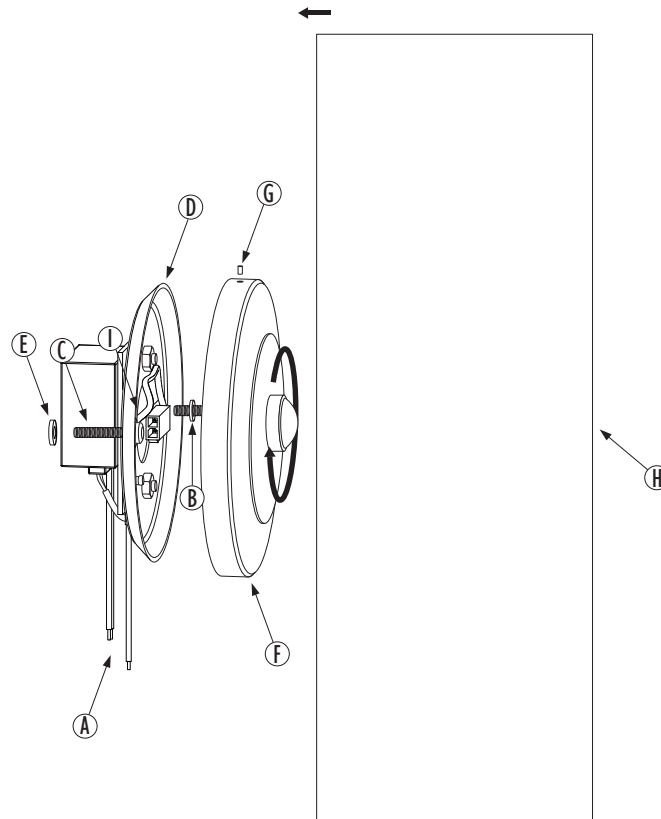
1. Save these instructions and refer to them when additions to or changes to the fixture are made.
2. THIS PRODUCT MUST BE INSTALLED BY A PERSON FAMILIAR WITH THE CONSTRUCTION AND OPERATION OF THE PRODUCT AND THE HAZARDS INVOLVED, IN ACCORDANCE WITH THE APPLICABLE NEC CODE.
3. Do not install this fixture in damp or wet locations.
4. CAUTION - Do not install any fixture assembly closer than 6 inches from any curtain, or similar combustible material.
5. Turn off power prior to any work on the systems.
6. Warranty is void in case of unauthorized modifications and/ or improper use.

READ ALL OF THESE INSTRUCTIONS BEFORE INSTALLATION

PART NUMBERS

102 850bz/MP	bronze, white glass	102 852bz/MP	bronze, red glass
102 850ch/MP	chrome, white glass	102 852ch/MP	chrome, red glass
102 850mc/MP	matte chrome, white glass	102 852mc/MP	matte chrome, red glass
102 851bz/MP	bronze, vanilla glass	102 853bz/MP	bronze, orange glass
102 851ch/MP	chrome, vanilla glass	102 853ch/MP	chrome, orange glass
102 851mc/MP	matte chrome, vanilla glass	102 853mc/MP	matte chrome, orange glass

INSTALLATION INSTRUCTIONS



INSTRUCTIONS FOR USE

- The Sconce has to be mounted to a 3 1/2" - 4" round J-box with access to the power cables.
- Connect the two wires from the transformer/ driver (A) to the power cables in the wall. Then slide the notched plastic washer (B) through the mounting screw (C). Insert the screw (C) into the mounting plate (D) and slide the plastic washer (E) onto the end of the screw. Align the screws (C) with the J-box and tighten until firmly connected.
- Connect quick connect (I) then place the canopy cover (F) over the mounting plate (D) and secure it with the allen screw (G) located on the side of the base.
- Screw glass (H) on to the canopy

NOTE: Do not over tighten glass