

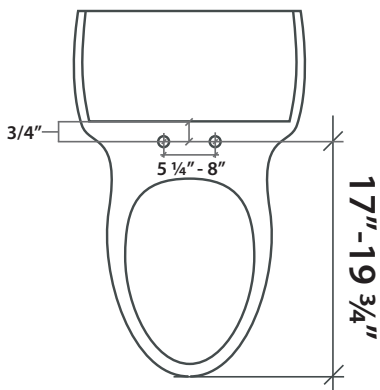
## Swash<sup>®</sup> ecoseat 100

S100-EW (Elongated, White)



### Swash Ecoseat 100 Key Features

- Hygienic dual wash wands
- Sterilizing water filter
- Hydro powered non-electric operation
- Ergonomic design
- Self-cleaning hygienic wands
- Aerated washing stream
- Easy installation
- Gentle closing seat and lid



\* Note: the Swash Ecoseat 100 is designed to fit elongated toilets only, however this model will in fact fit select round fixtures. Please reference fit diagram for size verification. The Swash Ecoseat 100 will not fit French curve fixtures.

### Features and Specifications

<b>Hygiene</b>	Rear Cleanse (Posterior)	●
	Front Cleanse (Feminine)	●
	Positionable nozzles	
	Adjustable Water Pressure	●
	Adjustable Water Temperature	
	Hygienic, Filtered Water	●
	Dual Stainless Steel Wash Nozzles	
	Oscillating Cleanse (massage)	
	Nozzle Sterilization	

<b>Comfort</b>	Water Heating	
	Endless Warm Water	
	Wide Wash Spray (3 Levels)	
	Aerated Wash Spray	●
	Gentle Closing Seat and Lid	●
	Ergonomic Heated Seat	
	Automatic Deodorizer	
Warm Air Dryer		

<b>Convenience</b>	Safety On/Off Seat Sensor	
	Self-Cleaning Nozzles	●
	Quick Release Seat, Easy Cleaning	
	"Sittable" Lid	●
	Automatic Eco Mode	
	Power Requirement	N/A
	Personalized Controls	Side
	Universal Design	(Elongated Only)
Easy Installation	Less Than One Hour	

<b>Selection</b>	<b>Round</b>	White	N/A
		Biscuit	N/A
		Dimensions	N/A
	<b>Elongated</b>	White	S100-EW
		Biscuit	N/A
		Dimensions	18.3"W x 20.4"L x 6.1"H

<b>Specifications</b>	<b>Limited Warranty</b>	<b>1 Year</b>
	<b>Seat Temperature</b>	<b>N/A</b>
	<b>Water Temperature</b>	<b>N/A</b>
	<b>Air Dryer Temperature</b>	<b>N/A</b>
	<b>Power Cord Length</b>	<b>N/A</b>
	<b>Max. Power Consumption</b>	<b>N/A</b>
	<b>Power Supply</b>	<b>N/A</b>