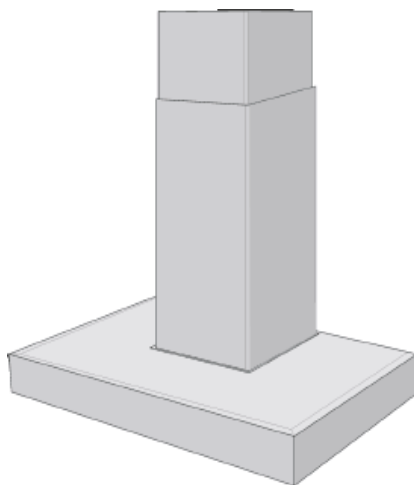


RANGEMASTER[®]
by Broan – NuTone

RM53000 Series



ENGLISH	2
FRANÇAIS	16
ESPAÑOL	30

Broan-NuTone LLC. 926 West State Street, Hartford, WI 53027

NuTone, Inc. 4820 Red Bank Road, Cincinnati, OH 45227

Broan-NuTone Canada, Inc. 1140 Tristar Drive, Mississauga, Ontario, L5T 1H9

99043478A

READ AND SAVE THESE INSTRUCTIONS

⚠ INTENDED FOR DOMESTIC COOKING ONLY ⚠

⚠ ⚠ WARNING

TO REDUCE THE RISK OF FIRE, ELECTRIC SHOCK, OR INJURY TO PERSONS, OBSERVE THE FOLLOWING:

1. Use this unit only in the manner intended by the manufacturer. If you have questions, contact the manufacturer at the address or telephone number listed in the warranty.
2. Before servicing or cleaning unit, switch power off at service panel and lock service panel to prevent power from being switched on accidentally. When the service disconnecting means cannot be locked, securely fasten a prominent warning device, such as a tag, to the service panel.
3. Installation work and electrical wiring must be done by a qualified person(s) in accordance with all applicable codes and standards, including fire-rated construction codes and standards.
4. Sufficient air is needed for proper combustion and exhausting of gases through the flue (chimney) of fuel burning equipment to prevent backdrafting. Follow the heating equipment manufacturer's guidelines and safety standards such as those published by the National Fire Protection Association (NFPA), and the American Society for Heating, Refrigeration and Air Conditioning Engineers (ASHRAE), and the local code authorities.
5. When cutting or drilling into wall or ceiling, do not damage electrical wiring and other hidden utilities.
6. Ducted fans must always be vented to the outdoors.
7. Do not use this unit with any separate solid-state speed control device.
8. To reduce the risk of fire, use only metal ductwork.
9. This unit must be grounded.

TO REDUCE THE RISK OF A RANGE TOP GREASE FIRE:

- A. Never leave surface units unattended at high settings. Boilovers cause smoking and greasy spillovers that may ignite. Heat oils slowly on low or medium settings.
- B. Always turn hood ON when cooking at high heat or when flambeing food (i.e. Crepes Suzette, Cherries Jubilee, Peppercorn Beef Flambé).
- C. Clean ventilating fans frequently. Grease should not be allowed to accumulate on fan or filter.
- D. Use proper pan size. Always use cookware appropriate for the size of the surface element.

WARNING

TO REDUCE THE RISK OF INJURY TO PERSONS IN THE EVENT OF A RANGE TOP GREASE FIRE, OBSERVE THE FOLLOWING:*

1. SMOTHER FLAMES with a close-fitting lid, cookie sheet, or metal tray, then turn off the burner. BE CAREFUL TO PREVENT BURNS. If the flames do not go out immediately, EVACUATE AND CALL THE FIRE DEPARTMENT.
2. NEVER PICK UP A FLAMING PAN - You may be burned.
3. DO NOT USE WATER, including wet dishcloths or towels - violent steam explosion will result.
4. Use an extinguisher ONLY if:
 - A. You know you have a Class ABC extinguisher and you already know how to operate it.
 - B. The fire is small and contained in the area where it started.
 - C. The fire department is being called.
 - D. You can fight the fire with your back to an exit.

* Based on "Kitchen Fire Safety Tips" published by NFPA.

CAUTION

1. To reduce risk of fire and to properly exhaust air, be sure to duct air outside. Do not vent exhaust air into spaces within walls or ceilings or into attics, crawl spaces, or garages.
2. Take care when using cleaning agents or detergents.
3. Avoid using food products that produce flames under the Range Hood.
4. For general ventilating use only. Do not use to exhaust hazardous or explosive materials and vapors.
5. To avoid motor bearing damage and noisy and/or unbalanced impellers, keep drywall spray, construction dust, etc. off power unit.
6. Your hood motor has a thermal overload which will automatically shut off the motor if it becomes overheated. The motor will restart when it cools down. If the motor continues to shut off and restart, have the hood serviced.
7. For best capture of cooking impurities, the bottom of the hood should be a minimum of 24" and a maximum of 30" above the cooking surface. See "Install Mounting Bracket" section for mounting restrictions.
8. Two installers are recommended because of the large size and weight of this hood.
9. This product is equipped with a thermostat which may start blower automatically. To reduce the risk of injury and to prevent power from being switched on accidentally, switch power off at service panel and lock or tag service panel.
10. Do not use the top of the hood as a shelf.
11. Please read specification label on product for further information and requirements.

OPERATION

Controls

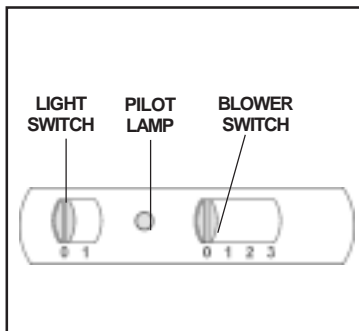
The hood is operated using the slide controls under the bottom of the hood.

The **light switch** turns the lamps on and off.

The **blower switch** turns the blower on to three speed settings:

- 0 - OFF
- 1 - LOW SPEED
- 2 - MEDIUM SPEED
- 3 - HIGH SPEED

The **pilot lamp** lights up whenever the blower is on.



HEAT SENTRY™

Your hood is equipped with a HEAT SENTRY™ thermostat. This thermostat is a device that will turn on or speed up the blower if it senses excessive heat above the cooking surface.

1. If blower is OFF - it turns blower ON to HIGH speed.
2. If blower is ON at a lower speed setting - it turns blower up to HIGH speed.

When the temperature level drops to normal, the blower will return to its original setting.

⚠ WARNING: The HEAT SENTRY thermostat can start the blower even if the hood is turned OFF. When this occurs, it is impossible to turn the blower OFF with its switch. If you must stop the blower, do it from the main electrical panel.

HALOGEN BULBS

This range hood requires two halogen bulbs (Type JC, 12Volt, 20 Watt Max, G-4 Base).

⚠ WARNING: Always switch off the electrical supply before carrying out any operation on the appliance.

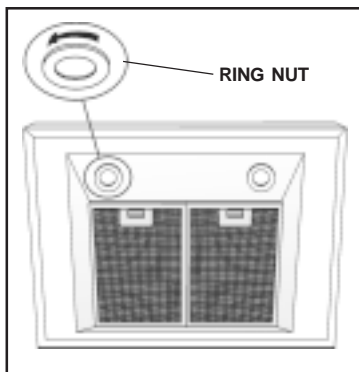
To change bulbs:

1. Loosen the ring nut by turning it counter-clockwise.
2. Remove the bulb by pulling sideward (DO NOT ROTATE).

⚠ CAUTION: Bulb may be hot.

3. Replace with Type JC, 12Volt, 20 Watt Max, G-4 Base halogen bulb. Do not touch replacement bulb with bare hands!

Do not use bulbs greater than 20 Watts. Bulbs greater than 20 Watts will cause fuse to open.



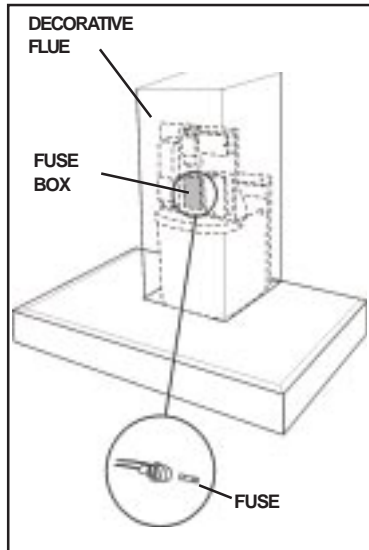
FUSE REPLACEMENT

IF LIGHTS FAIL TO OPERATE, DISCONNECT POWER AT THE SERVICE ENTRANCE. CHECK THE FUSE AND REPLACE IF NECESSARY.

1. Raise or remove the lower decorative flue.
2. Remove the cover from the fuse box.
3. Unscrew the cap from the fuse holder and remove the fuse.
4. Replace the fuse with the same size and amperage (5 x 20mm, 4 amp, 125 volt).

Do not use fuses greater than 4 amps. Fuses greater than 4 amps may damage the transformer.

5. Reinstall the fuse holder cap, fuse box cover and flue.
6. Reconnect power at the service entrance.



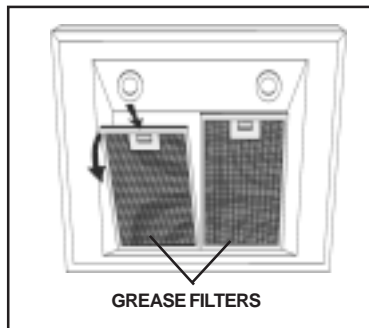
MAINTENANCE

Proper maintenance of the Range Hood will assure proper performance of the unit.

Grease Filters

The **grease filters** should be cleaned frequently. Use a warm detergent solution. Grease filters are dishwasher safe.

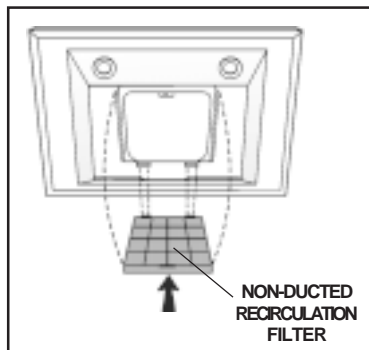
See "INSTALL FILTERS" section for removal and installation instructions.



Non-Ducted Recirculation Filter

The non-ducted recirculation filter should be changed every 6 months.

See "INSTALL FILTERS" section for removal and installation instructions.



MAINTENANCE, CONT'D

Hood Cleaning

Stainless steel is one of the easiest materials to keep clean. Occasional care will help preserve its fine appearance.

Cleaning tips:

1. Hot water with soap or detergent is all that is usually needed.
2. Follow all cleaning by rinsing with clear water. Wipe dry with a clean, soft cloth to avoid water marks.
3. For discolorations or deposits that persist, use a non-scratching household cleanser or stainless steel polishing powder with a little water and a soft cloth.
4. For stubborn cases, use a plastic scouring pad or soft bristle brush together with cleanser and water. Rub lightly in direction of polishing lines or “grain” of the stainless finish. Avoid using too much pressure which may mar the surface.
5. **DO NOT** allow deposits to remain for long periods of time.
6. **DO NOT** use ordinary steel wool or steel brushes. Small bits of steel may adhere to the surface causing rust.
7. **DO NOT** allow salt solutions, disinfectants, bleaches, or cleaning compounds to remain in contact with stainless steel for extended periods. Many of these compounds contain chemicals which may be harmful. Rinse with water after exposure and wipe dry with a clean cloth.

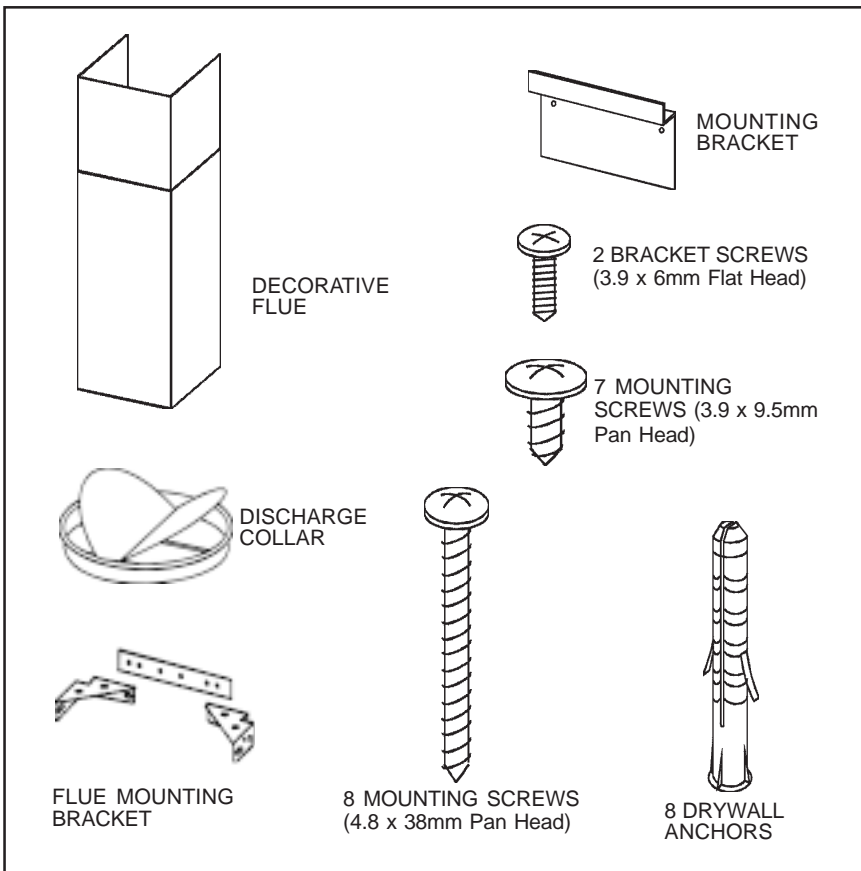
Painted surfaces should be cleaned with warm water and mild detergent only.

PREPARE THE HOOD

Unpack hood and check contents.

You should receive:

- 1 - Hood
- 1 - Decorative Flue Assembly
- 1 - Parts Bag :
 - 1 - Mounting Bracket
 - 1 - Discharge Collar
 - 1 - Flue Mounting Bracket
 - 8 - Mounting Screws (4.8 x 38mm Pan Head)
 - 7 - Mounting Screws (3.9 x 9.5mm Pan Head)
 - 2 - Bracket Screws (3.9 x 6 mm Flat Head)
 - 8 - Drywall Anchors
- 1 - Installation Instructions
- 1 - Warranty Card

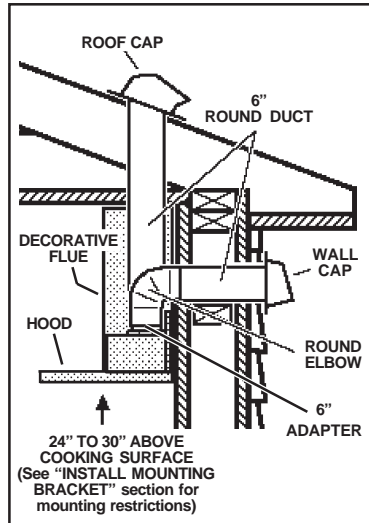


INSTALL THE DUCTWORK

(DUCTED HOODS ONLY)

⚠ CAUTION: To reduce the risk of fire, use only metal ductwork.

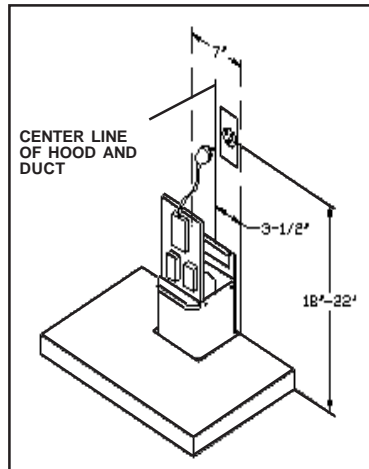
1. Decide where the ductwork will run between the hood and the outside.
2. A straight, short duct run will allow the hood to perform most efficiently.
3. Long duct runs, elbows, and transitions will reduce the performance of the hood. Use as few of them as possible. Larger ducting may be required for best performance with longer duct runs.
4. Install a roof or wall cap. Connect round metal ductwork to cap and work back towards hood location. Use duct tape to seal the joints between ductwork sections.



INSTALL ELECTRICAL

⚠ WARNING: Electrical wiring must be done by a qualified person(s) in accordance with all applicable codes and standards. This range hood must be properly grounded. Turn off electrical power at service entrance before wiring.

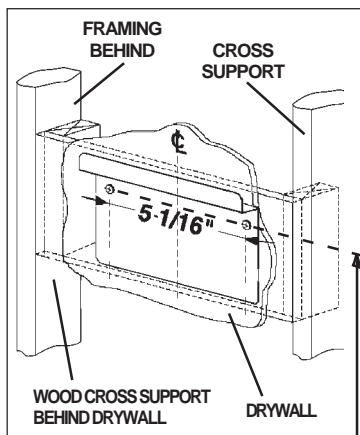
1. Plan where the hood will be located above the cook top. Refer to the "INSTALL MOUNTING BRACKET" section for hood mounting height options.
2. Install a standard 2" x 4" wall outlet box and 3-blade 125 volt, 15Amp grounded receptacle.
3. Mount the receptacle 18" to 22" above the bottom of the hood.
4. Locate the receptacle within boundary shown and off center of the ductwork (to allow for power cord plug and flue clearance).



INSTALL MOUNTING BRACKET

(DUCTED AND NON-DUCTED HOODS)

- Construct wood wall framing that is flush with interior surface of wall studs. Make sure:
 - the framing is centered over installation location.
 - the height of the framing will allow the mounting bracket to be secured to the framing within the dimensions shown.
- After wall surface is finished, secure mounting bracket to framing using dimensions shown.



CEILING HEIGHT	HOOD DISTANCE ABOVE 36" HIGH COOKTOP (SEE NOTE)						
	24"	25"	26"	27"	28"	29"	30"
	MOUNTING BRACKET LOCATION ABOVE 36" HIGH COOKTOP						
8 FEET	37"	38"	39"	40"	41"		
9 FEET		38"	39"	40"	41"	42"	43"
10 FEET (Note 2)		38"	39"	41"	42"	43"	44"

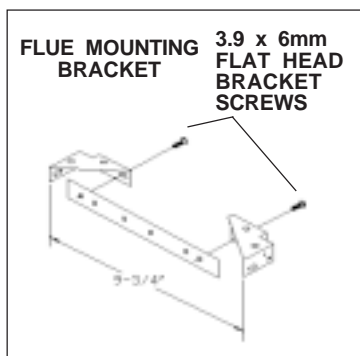
NOTES:

- Minimum hood distance above cooktop must not be less than 24".
A maximum of 30" above the cooktop is highly recommended for best capture of cooking impurities.
Distances over 30" above the cooktop are at the installer's and user's discretion - providing that ceiling height and flue length permit.
- Requires optional 10-foot flue extension model RFX5304 (ducted) or RFXN5304 (non-ducted).

INSTALL FLUE MOUNTING BRACKET

(DUCTED AND NON-DUCTED HOODS)

- Assemble the flue mounting bracket, adjusting outside width as shown. See Figure 10.
- Carefully** center the mounting bracket directly over the range hood location.
- Secure the bracket assembly to the ceiling using (2) 3.9 x 6mm mounting screws and drywall anchors. Make sure the bracket is pushed into the corner, tight against the wall and centered over the hood.



PREPARE THE HOOD

NOTE: On stainless steel hoods, carefully remove the plastic protective film from all exterior surfaces of the hood, decorative flues, and filter frames prior to final installation.

(DUCTED HOODS ONLY)

1. Install the discharge collar into the duct connector of the range hood.
2. Attach an adequate length of 6" round steel ducting to the range hood duct connector.
3. Duct tape all joints to make them secure and air tight.
4. Secure the electrical system plate to the range hood with (2) mounting screws.
5. Carefully place the lower decorative flue into the recessed area of the range hood top.
6. Carefully slide the upper decorative flue down inside the lower flue.

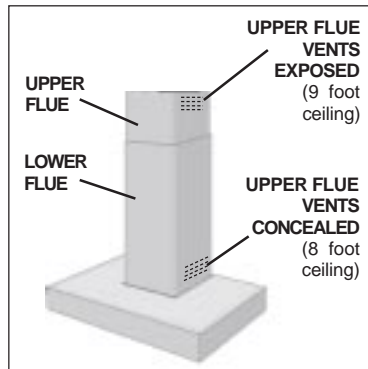
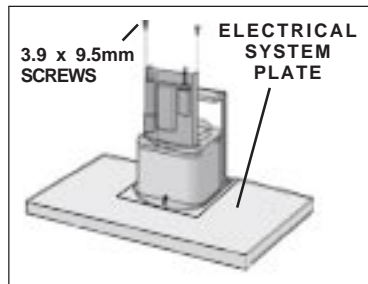
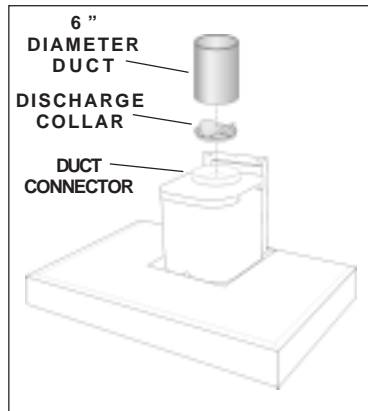
Note: On 8-foot ceilings the air vents on the upper flue are concealed by installing the flue with air vents down.

Note: On 9-foot ceilings the air vents on the upper flue will be exposed after installation.

ROOMS WITH 10-FOOT CEILINGS

Rooms with 10-foot ceilings require flue extension model RFX5304, available from your local dealer.

7. Discard the upper flue supplied with the product. Replace it with the flue extension RFX5304.



PREPARE THE HOOD

(NON-DUCTED HOODS ONLY)

Note: The following materials must be purchased separately for non-ducted recirculation installations.

Non - Ducted Recirculation Kit, Model RRK51.

5" diameter expandable / flexible aluminum duct.

1/16" diameter twist drill.

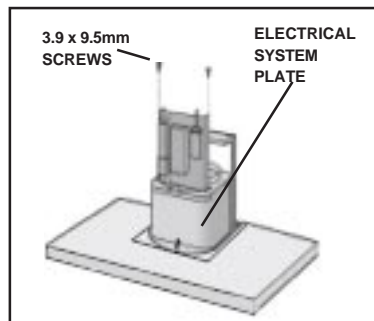
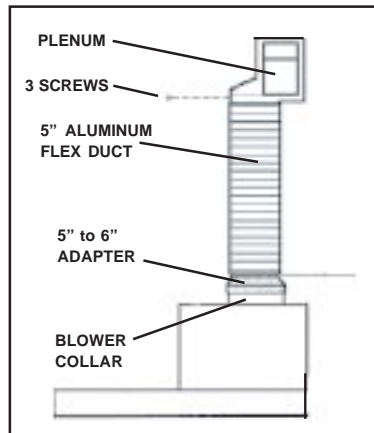
⚠ CAUTION: Do not use plastic or rigid metal ducting.

1. Determine the length of the compressed flexible aluminum ducting using the following formula:

34" **MINUS** Distance above cook top. See Page 9, height restrictions table. **PLUS** 12" If ceiling height is 9-feet. (or 24" If ceiling height is 10 feet) = Length of compressed flexible aluminum ductwork.

Worksheet: 34" - _____ + _____ (for 9' or 10' ceiling only) = _____

2. Discard the discharge collar/damper supplied with the hood. Install the 5" to 6" adapter supplied with the Non-Ducted Recirculation Kit.
3. Attach aluminum flexible duct to the 5" adapter. Securely tape all joints with duct tape to prevent separation of components as flex ducting is expanded.
4. Assemble the recirculation plenum to the flexible duct.
5. Drill three (3) 1/16" diameter equally spaced holes through the duct and duct connector of the recirculation plenum.
6. Secure duct to the plenum's connector with (3) sheet metal screws: (3.9 x9.5 mm) Tape all joints with duct tape.
7. Secure electrical system plate to the range hood with (2) mounting screws.



PREPARE THE HOOD (CONT'D)

(NON-DUCTED HOODS ONLY)

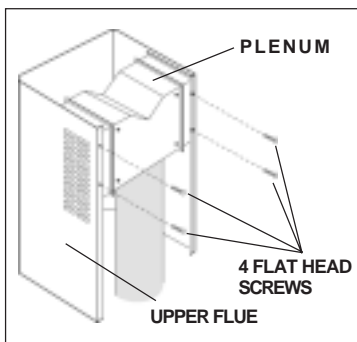
- Carefully slide the upper decorative flue down inside the lower flue.
- Carefully place the decorative flues into the recessed area of the range hood top.

Note: Air vents must be up.

ROOMS WITH 10-FOOT CEILINGS

Rooms with 10-Foot ceilings require flue extension model RFXN5304, available from your local dealer.

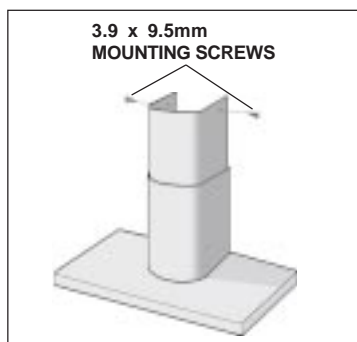
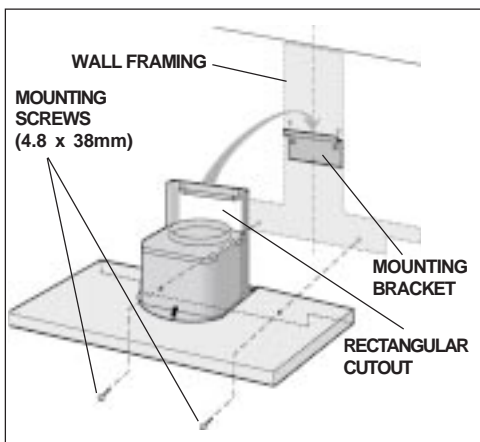
- Discard upper flue supplied with product. Replace with flue extension RFXN5304.
- Secure the recirculation plenum to the upper flue with (4) flat head screws.



INSTALL THE HOOD

Note: At least two people will be required to mount the hood.

- Align the rectangular opening on the back of the hood with the wall-mounting bracket. Gently lower the hood until it securely engages the bracket.
- Level the hood and secure with (2) mounting screws under the hood. Use drywall anchors provided if wall studs or framing are not available.
- Raise the upper flue until its holes align with holes in the flue mounting bracket (located on ceiling).
- Secure the flue with (2) mounting screws.



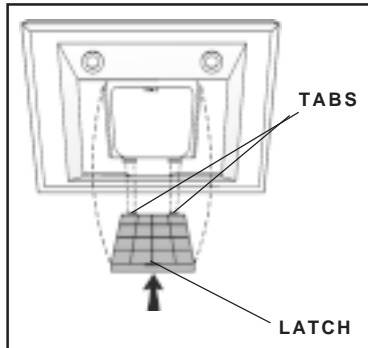
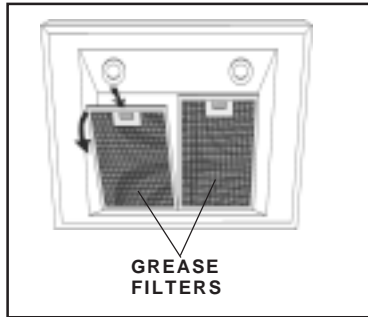
INSTALL FILTERS

(DUCTED AND NON-DUCTED HOODS)

1. To remove the GREASE filter, push in on the metal latch tab. This will disengage the filter from the hood. Tilt the filter downward and remove.
2. To install the GREASE filter, align rear filter tabs with slots in the hood. Push in the metal latch tab, push filter into position and release. Make sure the filter is securely engaged after assembly.

(NON-DUCTED HOODS ONLY)

1. To remove the CHARCOAL filter, push in on the front filter latch. Pull the filter down to disengage the rear filter tabs.
2. To install the CHARCOAL filter, align the rear filter tabs with slots in the hood. Push the filter up into place until the front latch snaps securely into the slot. Make sure the filter is securely engaged after assembly.
3. Install GREASE filter after charcoal filter is installed.



WARRANTY

BROAN-NUTONE LLC ONE YEAR LIMITED WARRANTY

Broan-NuTone LLC warrants to the original consumer purchaser of its products that such products will be free from defects in materials or workmanship for a period of one year from the date of original purchase. THERE ARE NO OTHER WARRANTIES, EXPRESS OR IMPLIED, INCLUDING, BUT NOT LIMITED TO, IMPLIED WARRANTIES OR MERCHANTABILITY OR FITNESS FOR A PARTICULAR PURPOSE.

During this one-year period, Broan-NuTone LLC will, at its option, repair or replace, without charge, any product or part which is found to be defective under normal use and service.

THIS WARRANTY DOES NOT EXTEND TO FLUORESCENT LAMP STARTERS, TUBES, HALOGEN AND INCANDESCENT BULBS. This warranty does not cover (a) normal maintenance and service or (b) any products or parts which have been subject to misuse, negligence, accident, improper maintenance or repair (other than by Broan-NuTone LLC), faulty installation or installation contrary to recommended installation instructions.

The duration of any implied warranty is limited to the one-year period as specified for the express warranty. Some states do not allow limitation on how long an implied warranty lasts, so the above limitation may not apply to you.

BROAN-NUTONE LLC'S OBLIGATION TO REPAIR OR REPLACE, AT BROAN-NUTONE LLC'S OPTION, SHALL BE THE PURCHASER'S SOLE AND EXCLUSIVE REMEDY UNDER THIS WARRANTY. BROAN-NUTONE LLC SHALL NOT BE LIABLE FOR INCIDENTAL, CONSEQUENTIAL OR SPECIAL DAMAGES ARISING OUT OF OR IN CONNECTION WITH PRODUCT USE OR PERFORMANCE. Some states do not allow the exclusion or limitation of incidental or consequential damages, so the above limitation or exclusion may not apply to you.

This warranty gives you specific legal rights, and you may also have other rights, which vary from state to state. This warranty supersedes all prior warranties.

To qualify for warranty service, you must (a) notify Broan-NuTone LLC at the address stated below or telephone: 1-800-637-1453, (b) give the model number and part identification and (c) describe the nature of any defect in the product or part. At the time of requesting warranty service, you must present evidence of the original purchase date.

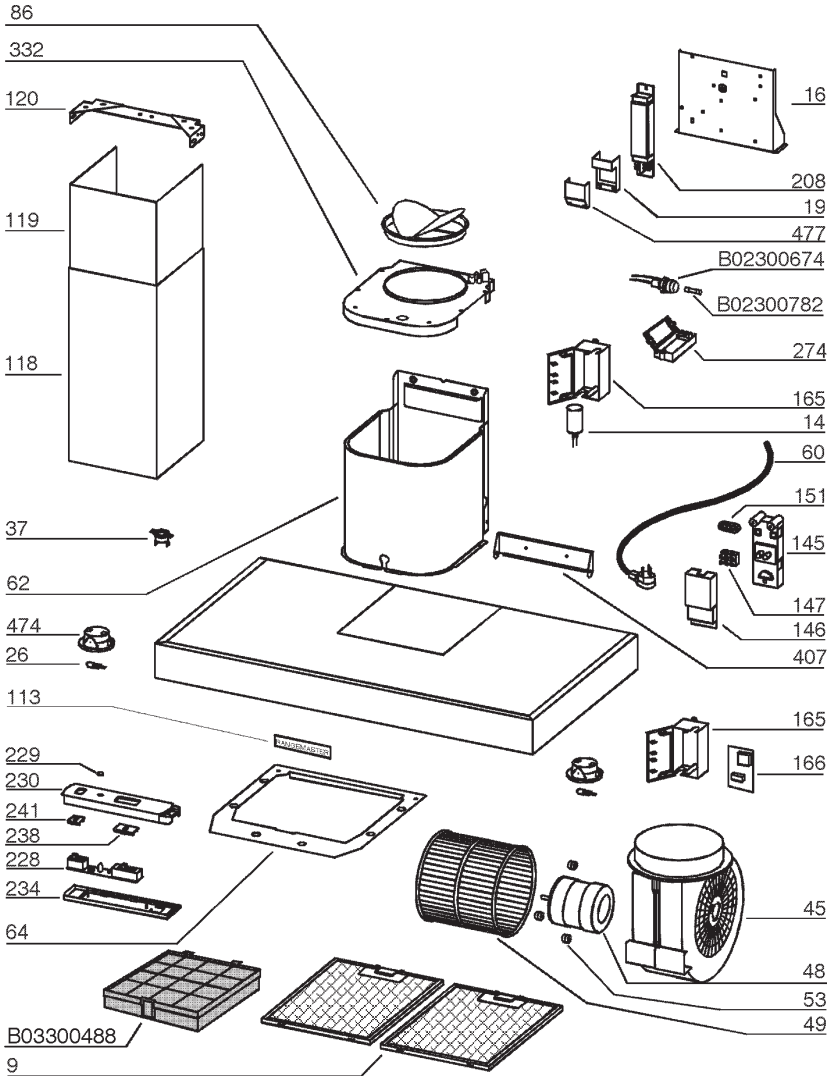
Broan-NuTone LLC, 926 West State Street, Hartford, WI 53027 (1-800-637-1453)

NuTone, Inc., 4820 Red Bank Road, Cincinnati, OH 45227 (1-800-543-8687)

Broan-NuTone Canada, Inc. 1140 Tristar Drive, Mississauga, Ontario, L5T 1H9 (1-888-882-7626)

SERVICE PARTS

MODEL RM53000



SERVICE PARTS

MODEL RM53000

KEY NO.	PART NO.	DESCRIPTION
9	B08087294	Grease Filter
14	B02300233	Motor Capacitor
16	BE3346354	Electrical Box Support
19	B03295005	Terminal Box
26	B02300891	Halogen Lamp Bulb
37	B02300787	Heat Sentry
45	BW0000019	Blower
48	B02310203	Motor
49	B03295076	Blower Wheel
53	B03202007	Rubber Washer
60	B02300249	Feeder Cable
62	B08091462	Blower Mounting Cover
64	BE3347000	Filter Support
86	B08088378	Discharge Collar
113	B03202433	Nameplate
118	BE3347192	Decorative Flue Bottom
119	BE3347193	Decorative Flue Top
120	B08091367	Flue Mounting Bracket
145	B032920170	Feeder Cable Connection Box
146	B032920180	Feeder Cable Connection Box Cover
147	BR2300132	Junction Clamp
151	B032920200	Electrical Box Wires Stop
166	B08086668	Board
165	B03295008	Control Board Box
208	B02300783	Transformer
228	B08086279	Controls Board
229	B03201014	Warning Lamp
230	B03295075	Switch Board Box Cover
234	B03295072	Control Board Box
238	B03295074	Motor Switch Button
241	B03295073	Light Switch Button
274	B03295035	Fuse Box
332	B03295009	Cover
407	BE3344985	Blower Support Bracket
474	B02300791	Halogen Lamp Housing
477	B03295006	Terminal Cover
998	B080810501	Hardware Package
*	B06002013	Blower Assembly (Includes Key Nos. 45, 48, 49, 53)
-	B03300488	Non-Ducted Recirculation Filter
-	B08999634	Non-Ducted Recirculation KIT
-	B02300782	Fuse
-	B02300674	Fuse Holder

* Not shown assembled.

VEUILLEZ LIRE CES DIRECTIVES ET LES CONSERVER

⚠ POUR USAGE DOMESTIQUE SEULEMENT ⚠

⚡ ⚠ AVERTISSEMENT

AFIN DE RÉDUIRE LES RISQUES D'INCENDIE, DE CHOC ÉLECTRIQUE OU DE BLESSURES CORPORELLES, VEUILLEZ OBSERVER LES DIRECTIVES SUIVANTES :

1. N'utilisez cet appareil que de la manière prévue par le fabricant. Si vous avez des questions, communiquez avec le fabricant à l'adresse ou au numéro de téléphone indiqués dans la garantie.
2. Avant de procéder à la réparation ou à l'entretien de l'appareil, coupez l'alimentation du panneau d'entrée d'électricité et verrouillez l'interrupteur principal afin d'empêcher que le courant ne soit accidentellement rétabli. S'il est impossible de verrouiller l'interrupteur principal, fixez solidement un message d'avertissement, par exemple une étiquette, au panneau d'entrée d'électricité.
3. La pose de l'appareil et les travaux d'électricité doivent être effectués par des personnes qualifiées conformément à la réglementation en vigueur, notamment les normes de la construction ayant trait à la protection contre les incendies.
4. Pour éviter les refoulements, l'apport d'air doit être suffisant pour brûler les gaz produits par les appareils à combustion et les évacuer dans le conduit de fumée (cheminée). Respectez les directives du fabricant de l'appareil de chauffage et les normes de sécurité, notamment celles publiées par la NFPA (Association nationale de protection contre l'incendie), l'ASHRAE (Société américaine des ingénieurs en chauffage, réfrigération et climatisation) et les codes des autorités locales.
5. Veillez à ne pas endommager le câblage électrique ou d'autres équipements non-apparents lors de la découpe ou du perçage du mur ou du plafond.
6. Les ventilateurs canalisés doivent toujours être ventilés à l'air libre.
7. N'utilisez pas de commande de régime à semi-conducteurs conjointement avec cet appareil.
8. Pour réduire les risques d'incendie, utilisez seulement des conduits en métal.
9. Cet appareil doit être mis à la terre.

POUR RÉDUIRE LES RISQUES D'INCENDIE CAUSÉS PAR DE LA GRAISSE SUR LE PLAN DE CUISSON :

- A. Ne laissez jamais les éléments de surface allumés à haute température. Les débordements peuvent causer de la fumée et occasionner des écoulements de graisse inflammables. L'huile doit être chauffée graduellement à basse ou à moyenne température.
- B. Mettez toujours la hotte en MARCHE lors de la cuisson à feu vif ou lors de la cuisson d'aliments à flamber (par ex., crêpes Suzette, cerises jubilé, boeuf au poivre flambé).
- C. Nettoyez souvent la hotte. Ne laissez pas la graisse s'accumuler sur le ventilateur ou le filtre.
- D. Utilisez des casseroles de dimension appropriée. Utilisez toujours une batterie de cuisine adaptée à la dimension des éléments de surface.

AVERTISSEMENT

OBSERVEZ LES CONSIGNES SUIVANTES DE MANIÈRE À RÉDUIRE LES RISQUES DE BLESSURES CORPORELLES EN CAS D'INCENDIE CAUSÉ PAR DE LA GRAISSE SUR LE PLAN DE CUISSON* :

1. **ÉTOUFFEZ LES FLAMMES** à l'aide d'un couvercle étanche, d'une tôle à biscuits ou d'un plateau en métal puis éteignez le brûleur. **FAITES ATTENTION DE NE PAS VOUS BRÛLER**. Si les flammes ne s'éteignent pas immédiatement, **QUITTEZ LES LIEUX ET APPELEZ LE SERVICE DES INCENDIES**.
2. **NE SOULEVEZ JAMAIS UNE CASSEROLE EN FLAMMES** - vous pourriez vous brûler.
3. **N'UTILISEZ PAS D'EAU**, ni de serviettes ou de linges mouillés - une violente explosion de vapeur pourrait survenir.
4. Utilisez un extincteur **SEULEMENT** si :
 - A. Vous savez qu'il est de classe ABC et vous connaissez déjà son mode de fonctionnement.
 - B. L'incendie n'est pas très important et ne se propage pas.
 - C. Vous avez déjà téléphoné au service des incendies.
 - D. Vous pouvez combattre l'incendie en faisant dos à une sortie.

* Conseils tirés de la publication de la NFPA « Kitchen Fire Safety Tips ».

ATTENTION

1. Pour réduire les risques d'incendie et évacuer l'air correctement, assurez-vous qu'il est canalisé à l'extérieur. N'évacuez pas l'air dans des espaces enfermés par des murs ou un plafond ou dans un grenier, un vide sanitaire ou un garage.
2. Faites attention lorsque vous utilisez des agents nettoyants ou des détergents.
3. Évitez d'utiliser des produits alimentaires pouvant produire des flammes sous la hotte.
4. Cet appareil ne doit servir qu'à la ventilation générale. Il ne doit pas être utilisé pour éliminer des matières ou des vapeurs dangereuses ou explosives.
5. Pour éviter d'endommager les roulements de moteur, de déséquilibrer les pales ou de les rendre bruyantes, débarrassez l'appareil de la poussière de plâtre, de construction, etc.
6. Le moteur de la hotte est muni d'un dispositif de protection de surcharge électrique qui coupe automatiquement le moteur en cas de surchauffe. Il se remet en marche lorsqu'il a refroidi. Faites réparer la hotte si le moteur continue à fonctionner par intermittence.
7. Pour mieux capter les vapeurs de cuisson, le bas de la hotte doit être au minimum à 61 cm (24 po) et au maximum à 76 cm (30 po) de la surface de cuisson. Pour les restrictions s'appliquant au montage, référez-vous à la section « Installation des brides de montage ».
8. Il est recommandé que les installateurs soient deux, compte tenu de la taille et du poids de cette hotte.
9. Ce produit est doté d'un thermostat qui peut faire démarrer automatiquement le ventilateur. Pour réduire les risques de blessures, coupez l'alimentation électrique sur le panneau d'électricité et verrouillez-le ou accrochez-y une étiquette de manière à éviter que le courant ne soit rétabli par accident.
10. N'employez pas le dessus du hotte comme étagère.
11. Veuillez lire l'étiquette de spécifications du produit pour obtenir plus de renseignements, notamment sur les normes.

UTILISATION

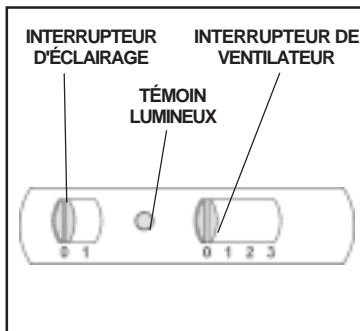
Commandes

La hotte fonctionne à l'aide de la commande par curseur située sous le dessous de la hotte.

L'**interrupteur d'éclairage** allume et éteint les lampes.

L'**interrupteur de ventilateur** fait démarrer le ventilateur à trois régimes différents :

- 0 - ARRÊT
- 1 - RÉGIME LENT
- 2 - RÉGIME MOYEN
- 3 - RÉGIME ÉLEVÉ



Le **témoin lumineux** s'allume dès que le ventilateur est en marche.

THERMOSTAT HEAT SENTRY^{MC}

Votre hotte est équipée d'un thermostat HEAT SENTRY^{MC}. Il s'agit d'un détecteur de chaleur qui actionne le ventilateur ou en augmente le régime en cas de chaleur excessive dégagée par les éléments de cuisson.

1. En position ARRÊT, le ventilateur est mis en MARCHÉ au régime MAXIMUM.
2. En position MARCHÉ à régime lent, le ventilateur passe au régime MAXIMUM.

Une fois la température revenue à la normale, le ventilateur revient à son réglage d'origine.

⚠ AVERTISSEMENT : Le thermostat HEAT SENTRY peut faire démarrer le ventilateur même si la hotte est sur ARRÊT. Lorsque cela se produit, il est impossible d'ARRÊTER le ventilateur avec son interrupteur. Si vous devez arrêter le ventilateur, coupez le disjoncteur du panneau d'alimentation électrique.

AMPOULES HALOGÈNES

Cette hotte requiert deux ampoules halogènes (type JC, 12 volts, 20 watts max., base G-4).

⚠ AVERTISSEMENT : Coupez toujours l'alimentation électrique avant d'effectuer tous travaux sur l'appareil.

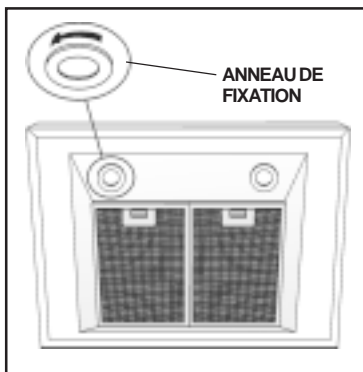
Pour remplacer les ampoules :

1. Desserrez l'anneau de fixation en le tournant dans le sens antihoraire.
2. Retirez l'ampoule en la tirant sur le côté (ET NON EN LA TOURNANT).

⚠ ATTENTION : L'ampoule peut être très chaude.

3. Remplacez-la par une ampoule halogène de type JC, 12 volts, 20 watts max., base G-4. Ne touchez pas l'ampoule de rechange avec les mains nues !

N'employez pas watts plus grands que d'ampoules les 20. Watts plus grands que d'ampoules les 20 feront ouvrir le fusible.



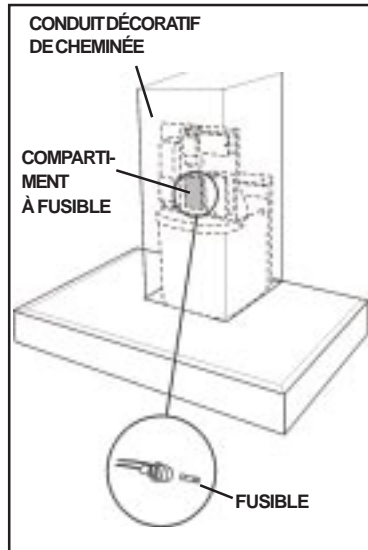
REPLACEMENT DU FUSIBLE

SI LES LUMIÈRES NE S'ALLUMENT PAS, COUPEZ LE COURANT AU PANNEAU D'ALIMENTATION ÉLECTRIQUE. VÉRIFIEZ LE FUSIBLE ET REMPLACEZ-LE, LE CAS ÉCHÉANT.

1. Soulevez ou enlevez le conduit décoratif inférieur.
2. Enlevez le couvercle de la boîte à fusibles.
3. Dévissez le capuchon du porte-fusible et retirez le fusible.
4. Remplacez-le par un fusible de même taille et de même intensité (5 x 20 mm, 4 A, 125 V).

N'utilisez pas les fusibles 4 ampères plus grands que. Les fusibles 4 ampères plus grands que peuvent endommager le transformateur.

5. Remplacez le capuchon du porte-fusible, le couvercle du compartiment à fusible et le conduit décoratif.
6. Rétablissez le courant au panneau électrique.



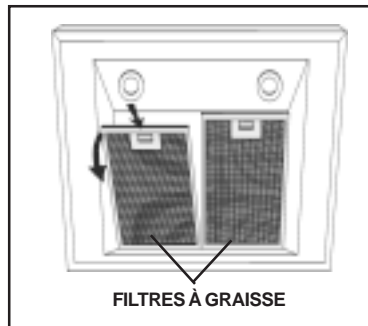
ENTRETIEN

Un entretien adéquat de la hotte assurera son bon fonctionnement.

Filtres à graisse

Les **filtres à graisse** doivent être nettoyés fréquemment. Utilisez une solution tiède de détergent. Ces filtres peuvent aller au lave-vaisselle.

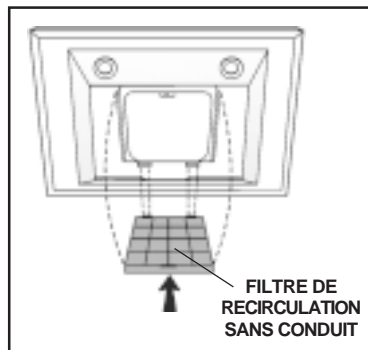
Référez-vous à la section « INSTALLATION DES FILTRES » pour leur enlèvement et leur pose.



Filtre de recirculation pour installation sans conduit

Dans une installation sans conduit, le filtre de recirculation doit être remplacé tous les six mois.

Référez-vous à la section « INSTALLATION DES FILTRES » pour leur enlèvement et leur pose.



Nettoyage de la hotte

L'acier inoxydable est l'un des matériaux les plus faciles à nettoyer. Quelques soins contribueront à préserver sa belle apparence.

Conseils de nettoyage :

1. Il suffit habituellement d'utiliser de l'eau chaude savonneuse ou additionnée de détergent.
2. Après le nettoyage, rincez toujours à l'eau claire. Essuyez la surface avec un chiffon propre et doux pour éviter les stries.
3. Pour les ternissures ou les dépôts tenaces, utilisez un nettoyant domestique non-abrasif ou une poudre à polir l'acier inoxydable avec un peu d'eau et un chiffon doux.
4. Pour la saleté rebelle, utilisez un tampon à récurer en plastique ou une brosse à poils doux avec un nettoyant et de l'eau. Frottez doucement dans le sens des lignes de polissage ou du « grain » de l'acier. Évitez de trop appuyer au risque de gâcher la surface.
5. **NE LAISSEZ PAS** les dépôts s'accumuler trop longtemps.
6. **N'UTILISEZ PAS** une laine d'acier ordinaire ou une brosse d'acier. De petites particules d'acier risqueraient d'adhérer à la surface et de la faire rouiller.
7. **NE LAISSEZ PAS** une solution saline, un désinfectant, de l'eau de javel ou tout autre produit détachant rester longtemps en contact avec l'acier inoxydable. Bon nombre de ces nettoyants contiennent des produits pouvant en altérer la surface. Après l'utilisation du nettoyant, rincez la surface à l'eau et essuyez-la avec un chiffon propre.

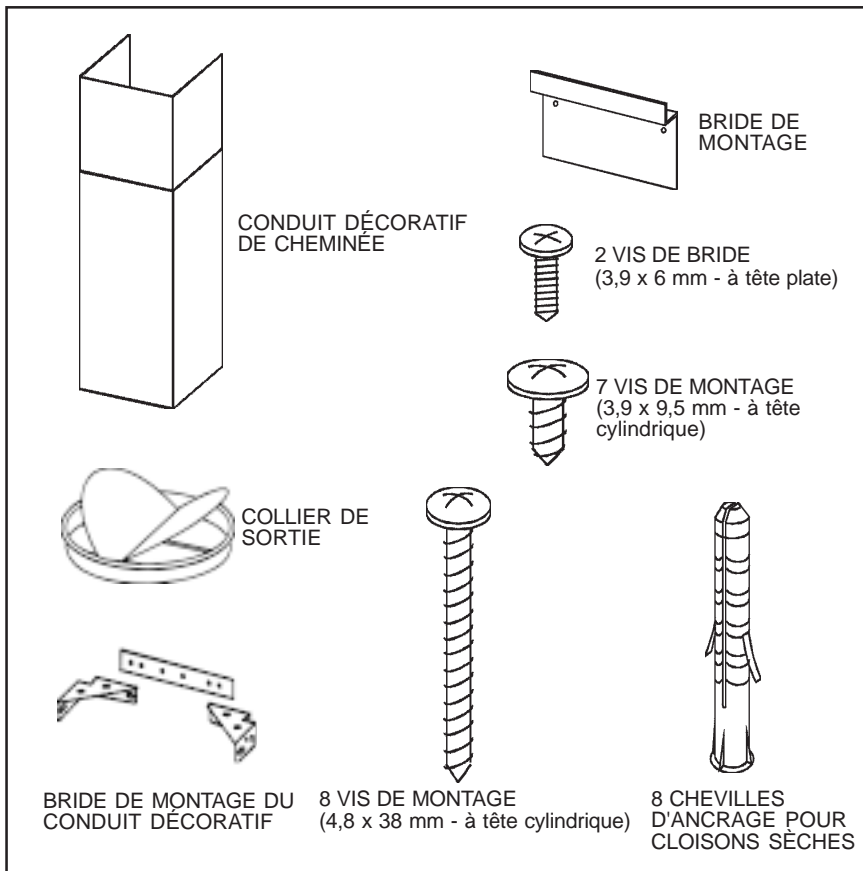
Nettoyez les surfaces peintes uniquement à l'eau tiède avec un détergent doux.

PRÉPARATION DE LA HOTTE

Déballer la hotte et vérifier le contenu de la boîte.

Celle-ci doit contenir les éléments suivants :

- 1 - Hotte
- 1 - Conduit décoratif de cheminée
- 1 - Sac de pièces :
 - 1 - Bride de montage
 - 1 - Collier de sortie
 - 1 - Bride de montage du conduit décoratif
 - 8 - Vis de montage (4,8 x 38 mm - à tête cylindrique)
 - 7 - Vis de montage (3,9 x 9,5 mm - à tête cylindrique)
 - 2 - Vis de bride (3,9 x 6 mm - à tête plate)
 - 8 - Chevilles d'ancrage pour cloisons sèches
- 1 - Directives d'installation
- 1 - Carte de garantie

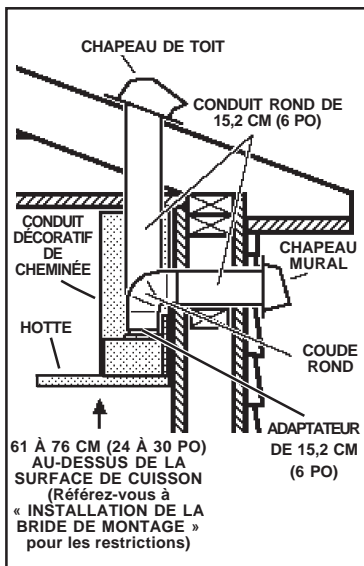


POSE DU CONDUIT

(HOTTES AVEC CONDUIT SEULEMENT)

⚠ ATTENTION : Pour réduire les risques d'incendie, utilisez seulement des conduits en métal.

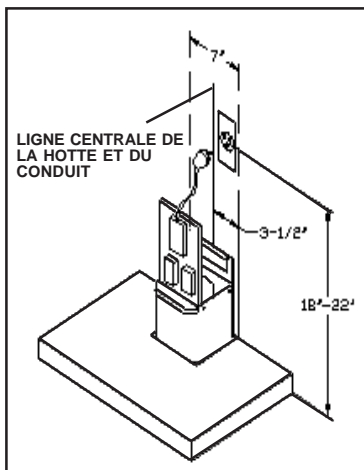
1. Planifiez la pose du conduit en déterminant son tracé entre la hotte et l'extérieur de la maison.
2. Un tracé droit et court permet à la hotte d'être plus efficace.
3. Des conduits longs, des coudes et des transitions réduisent son efficacité. N'en utilisez que le moins possible. Pour plus d'efficacité, des conduits plus gros peuvent être nécessaires si le parcours est trop long.
4. Installez le chapeau mural ou de toit. Connectez un conduit rond en métal au chapeau en progressant vers la hotte. Scellez les joints avec du ruban pour conduit à chaque section.



CÂBLAGE

⚠ AVERTISSEMENT : Les travaux d'électricité doivent être effectués par des personnes qualifiées en respectant les codes et les normes en vigueur. Cette hotte de cuisine doit être correctement mise à la terre. Avant d'effectuer le câblage, coupez le courant sur le panneau d'alimentation électrique.

1. Planifiez l'emplacement de la hotte au-dessus de la surface de cuisson. Consultez la section « INSTALLATION DE LA BRIDE DE MONTAGE » pour les différentes hauteurs de montage.
2. Installez une boîte électrique standard de 5 x 10 cm (2 x 4 po) et une prise de courant à 3 broches, 125 V, 15 A avec mise à la terre.
3. Posez la prise à 46 à 56 cm (18 à 22 po) au-dessus du bas de la hotte.
4. Placez la prise en respectant les limites indiquées et décentrée par rapport au conduit (pour permettre le branchement du cordon électrique et le passage du conduit).



INSTALLATION DE LA BRIDE DE MONTAGE

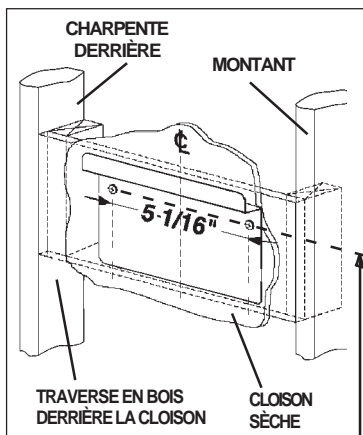
(HOTTES AVEC OU SANS CONDUIT)

1. Construisez une **charpente** de bois qui **affleure** la surface intérieure des montants du mur.

Prenez soin :

- a) de centrer cette charpente avec l'emplacement d'installation.
- b) de donner une hauteur suffisante à la charpente afin de pouvoir y fixer solidement la **bride de montage** selon les mesures indiquées.

2. **Une fois la surface du mur finie**, fixez la bride de montage à la charpente selon les mesures indiquées.



HAUTEUR DU PLAFOND	HOTTE À PLUS DE 90 CM (36 PO) AU-DESSUS DE LA SURFACE DE CUISSON (RÉFÉREZ-VOUS À LA REMARQUE 1)						
	60 cm (24 po)	63,5 cm (25 po)	66 cm (26 po)	68,6 cm (27 po)	71,1 cm (28 po)	73,6 cm (29 po)	76,2 cm (30 po)
	BRIDE DE MONTAGE À PLUS DE 90 CM (36 PO) AU-DESSUS DE LA SURFACE DE CUISSON						
244 CM (8 PI)	94 cm (37 po)	96,5 cm (38 po)	99,1 cm (39 po)	101,6 cm (40 po)	104,1 cm (41 po)		
274 CM (9 PI)		96,5 cm (38 po)	99,1 cm (39 po)	101,6 cm (40 po)	104,1 cm (41 po)	106,7 cm (42 po)	109,2 cm (43 po)
305 CM (10 PI) (REMARQUE 2)		96,5 cm (38 po)	99,1 cm (39 po)	101,6 cm (40 po)	104,1 cm (41 po)	106,7 cm (42 po)	109,2 cm (43 po)

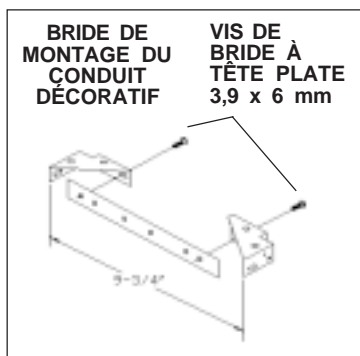
Remarques :

1. La distance minimale de la hotte au-dessus de la surface de cuisson ne doit pas être inférieure à 61 cm (24 po). Un maximum de 76,2 cm (30 po) est également fortement recommandé pour mieux capter les vapeurs de cuisson.
Une distance supérieure à 76,2 cm (30 po) est laissée à la discrétion de l'installateur et de l'utilisateur si la hauteur du plafond et la longueur du conduit décoratif le permettent.
2. Nécessite la rallonge de conduit décoratif de 305 cm (10 pi) modèle RFX5304 (avec conduit) ou RFXN5304 (sans conduit).

INSTALLATION DE LA BRIDE DE MONTAGE DU CONDUIT DÉCORATIF

(HOTTES AVEC OU SANS CONDUIT)

1. Assemblez la bride de montage du conduit décoratif en réglant sa largeur, tel qu'illustré. Référez-vous à la Figure 10.
2. Centrez **soigneusement** la bride de montage directement au-dessus de l'emplacement de la hotte.
3. Fixez la bride au plafond à l'aide de deux (2) vis de montage de 3,9 x 6 mm et des chevilles d'ancrage pour cloisons sèches.



PRÉPARATION DE LA HOTTE

REMARQUE : Sur les hottes d'acier inoxydable, retirez soigneusement la pellicule protectrice en plastique sur toutes les surfaces extérieures de la hotte, du conduit décoratif de cheminée, et armatures de filtre avant l'installation finale.

(HOTTES AVEC CONDUIT SEULEMENT)

1. Installez le collier de sortie dans dans le raccord de conduit de la hotte.
2. Fixez un conduit rond en métal de 15,2 cm (6 po) d'une longueur adéquate au raccord de conduit de la hotte.
3. Scellez tous les joints au ruban pour conduit.
4. Fixez la plaque d'installation électrique à la hotte avec (2) vis de montage.
5. Placez soigneusement le conduit décoratif inférieur sur le dessus de la hotte.
6. Glissez soigneusement le conduit décoratif supérieur à l'intérieur du conduit décoratif inférieur.

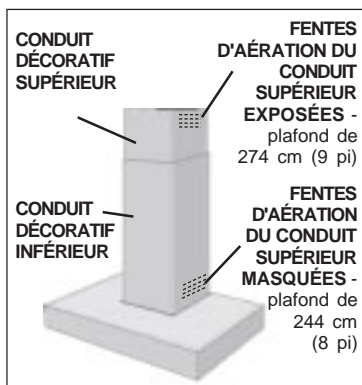
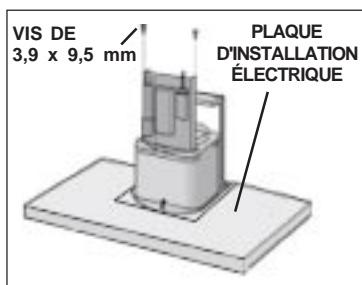
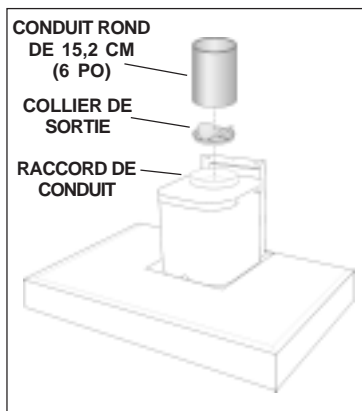
Remarque : Pour les plafonds de 244 cm (8 pi), les fentes d'aération du conduit décoratif supérieur peuvent être masquées en installant le conduit, les fentes vers le bas.

Remarque : Pour les plafonds de 274 cm (9 pi), les fentes d'aération du conduit décoratif supérieur demeurent visibles après l'installation.

CUISINE AVEC PLAFOND DE 305 CM (10 PI)

Les pièces ayant un plafond de 305 cm (10 pi) nécessitent la rallonge de conduit décoratif modèle RFX5304, disponible chez votre marchand local.

7. Dans ce cas, jetez le conduit décoratif supérieur fourni avec le produit. Remplacez-le par la rallonge RFX5304.



PRÉPARATION DE LA HOTTE

(HOTTES SANS CONDUIT SEULEMENT)

Remarque : Le matériel suivant doit être acheté séparément pour les installations sans conduit avec recirculation.

Ensemble de recirculation pour installation sans conduit, modèle RRK51.

Conduit d'aluminium flexible / extensible de 12,7 cm (5 po) de diamètre

Mèche de 1,6 mm (1/16 po) de diamètre.

⚠ ATTENTION : N'utilisez pas de conduit en métal rigide ou en plastique.

1. Déterminez la longueur du conduit d'aluminium flexible comprimé à l'aide de la formule suivante :

86,4 cm (34 po) **MOINS** Distance au dessus de la surface de cuisson. Référez-vous à la page 23, tableau des restrictions. **PLUS** 30,5 cm (12 po) = Longueur comprimée du conduit d'aluminium flexible. si le plafond a une hauteur de 2,74 m (9 pi) ou 61 cm (24 po) si le plafond a une hauteur de 3,05 (10 pi)

Calcul : 86,4 cm (34 po) - _____ + _____ (pour plafond de 2,74 m (9 pi) ou 3,05

(10 pi) uniquement) = _____

2. Jetez le collier/clapet de sortie fourni avec la hotte. Installez l'adaptateur 12,7 à 15,2 cm (5 à 6 po) fourni avec l'ensemble de recirculation pour installation sans conduit.

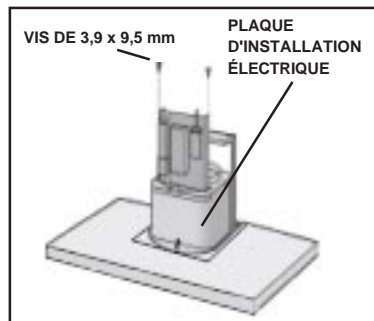
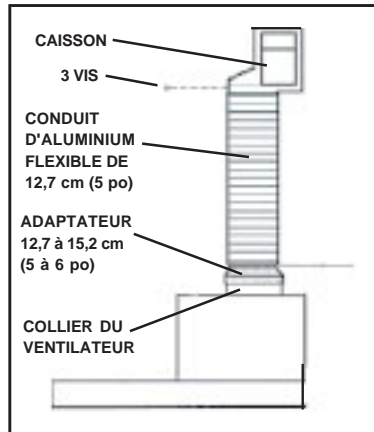
3. Fixez le conduit d'aluminium flexible de 12,7 cm (5 po) à l'adaptateur. Scellez tous les joints avec du ruban pour conduit afin d'empêcher les parties de se détacher lors de l'étirement du conduit flexible.

4. Montez le caisson de recirculation sur le conduit flexible.

5. Percez (3) trous également espacés de 1,6 mm (1/16 po) de diamètre à travers le conduit et le raccord du caisson de recirculation.

6. Fixez le conduit au raccord du caisson avec (3) vis à tôle : (3,9 x 9,5 mm) Scellez tous les joints avec du ruban pour conduit.

7. Fixez la plaque d'installation électrique à la hotte avec (2) vis de montage.



PRÉPARATION DE LA HOTTE (SUITE)

(HOTTES SANS CONDUIT SEULEMENT)

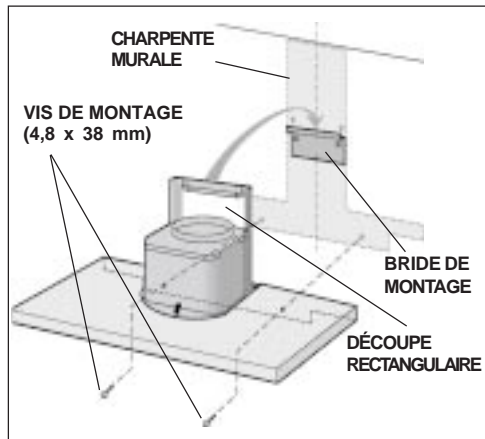
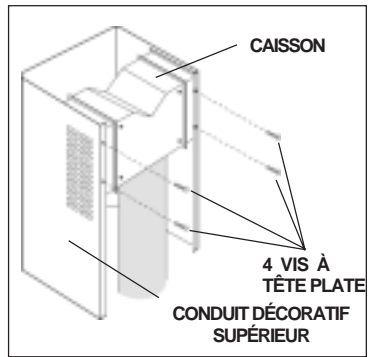
8. Glissez soigneusement le conduit décoratif supérieur à l'intérieur du conduit décoratif inférieur.
9. Placez soigneusement le conduit décoratif inférieur sur le dessus de la hotte.

Remarque : Les fentes d'aération doivent être en haut.

CUISINE AVEC PLAFOND DE 305 CM (10 PI)

Les pièces ayant un plafond de 305 cm (10 pi) nécessitent la rallonge de conduit décoratif modèle RFX5304, disponible chez votre marchand local.

10. Dans ce cas, jetez le conduit décoratif supérieur fourni avec le produit. Remplacez-le par la rallonge RFXN5304.
11. Fixez le caisson de recirculation au conduit décoratif supérieur avec (4) vis cruciformes à tête plate.



INSTALLATION DE LA HOTTE

Remarque : L'installation de la hotte nécessite au moins deux personnes.

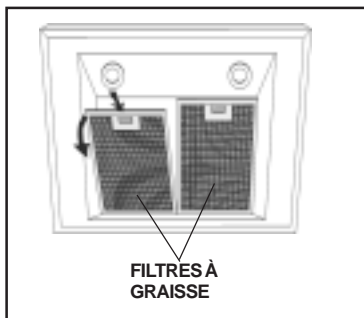
1. Alignez les ouvertures rectangulaires à l'arrière de la hotte avec la bride de montage murale. Abaissez doucement la hotte jusqu'à ce qu'elle s'engage solidement dans la bride.
2. Placez la hotte de niveau et fixez-la avec (2) vis de montage sous la hotte. Utilisez les chevilles d'ancrage pour cloisons sèches fournies si les montants ou la charpente ne sont pas accessibles.
3. Soulevez le conduit décoratif supérieur jusqu'à ce que ses trous s'alignent avec ceux de la bride de montage du conduit (située contre le plafond).
4. Fixez le conduit décoratif avec (2) vis de montage.



INSTALLATION DES FILTRES

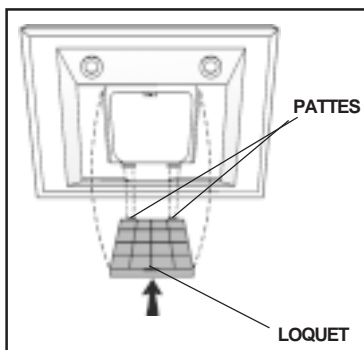
(HOTTES AVEC OU SANS CONDUIT)

1. Pour enlever le filtre à GRAISSE, enfoncez la languette métallique. Le filtre se dégagera de la hotte. Inclinez le filtre vers le bas et enlevez-le.
2. Pour installer le filtre à GRAISSE, alignez les pattes arrière du filtre dans les fentes de la hotte. Enfoncez la languette métallique, poussez le filtre en place et relâchez la languette. Vérifiez si le filtre est bien fixé une fois replacé.



(HOTTES SANS CONDUIT SEULEMENT)

1. Pour enlever le filtre à GRAISSE, enfoncez le loquet avant. Tirez le filtre vers le bas pour dégager les pattes arrière du filtre.
2. Pour installer le filtre au CHARBON, alignez les pattes arrière du filtre dans les fentes de la hotte. Poussez le filtre en place jusqu'à ce que le loquet s'engage fermement dans la fente. Vérifiez si le filtre est bien fixé une fois replacé.
3. Installez le filtre à GRAISSE une fois le filtre au charbon posé.



GARANTIE

GARANTIE LIMITÉE D'UN AN BROAN-NUTONE LLC

Broan-NuTone LLC garantit à l'acheteur original que les produits vendus en vertu de la présente sont libres de tout vice de matériau ou de fabrication pour une période d'un an à compter de la date d'achat originale. CETTE GARANTIE NE COMPORTE AUCUNE AUTRE GARANTIE, EXPRESSE OU TACITE, Y COMPRIS, MAIS SANS S'Y LIMITER, LES GARANTIES TACITES DE VALEUR MARCHANDE OU D'ADAPTATION À UN USAGE PARTICULIER.

Durant cette période d'un an, Broan-NuTone LLC réparera ou remplacera gratuitement, à sa discrétion, tout produit ou toute pièce jugés défectueux dans des conditions normales d'utilisation. CETTE GARANTIE NE S'APPLIQUE PAS AUX TUBES FLUORESCENTS ET AUX DÉMARREURS, NI AUX AMPOULES HALOGÈNES OU INCANDESCENTES. Cette garantie ne couvre pas (a) les frais d'entretien ou de service normaux ni (b) tout produit ou toute pièce soumis à un abus, une négligence, un accident, un entretien ou une réparation inadéquats (autres que ceux effectués par Broan-NuTone LLC), une mauvaise installation ou une installation contraire aux instructions recommandées.

La durée de toute garantie tacite est limitée à la période d'un an stipulée pour la garantie expresse. Certains territoires ou provinces interdisent les restrictions relatives à la durée d'une garantie implicite. La restriction susmentionnée peut donc ne pas s'appliquer dans votre cas.

L'OBLIGATION POUR BROAN-NUTONE LLC DE RÉPARER OU DE REMPLACER LE PRODUIT, À SA DISCRÉTION, CONSTITUE LE SEUL RECOURS DE L'ACHETEUR EN VERTU DE CETTE GARANTIE. BROAN-NUTONE LLC NE PEUT ÊTRE TENUE RESPONSABLE DE TOUT DOMMAGE INDIRECT, CONSÉCUTIF OU ACCESSOIRE DÉCOULANT DE L'UTILISATION OU DU RENDEMENT DU PRODUIT. Certains territoires ou provinces interdisent l'exclusion ou la restriction des dommages indirects ou consécutifs. La restriction susmentionnée peut donc ne pas s'appliquer dans votre cas.

La présente garantie vous confère des droits spécifiques reconnus par la loi. D'autres droits pourraient également vous être accordés selon la législation locale en vigueur. La présente garantie remplace toutes les autres garanties précédentes.

Pour le service sous garantie, vous devez (a) aviser Broan-NuTone LLC à l'adresse mentionnée ci-dessous ou au numéro de téléphone suivant : 1 800 637-1453, (b) indiquer le numéro de modèle et d'identification de la pièce et (c) décrire la défektivité du produit ou de la pièce. Lors de votre demande de garantie, vous devez présenter une preuve de la date d'achat originale.

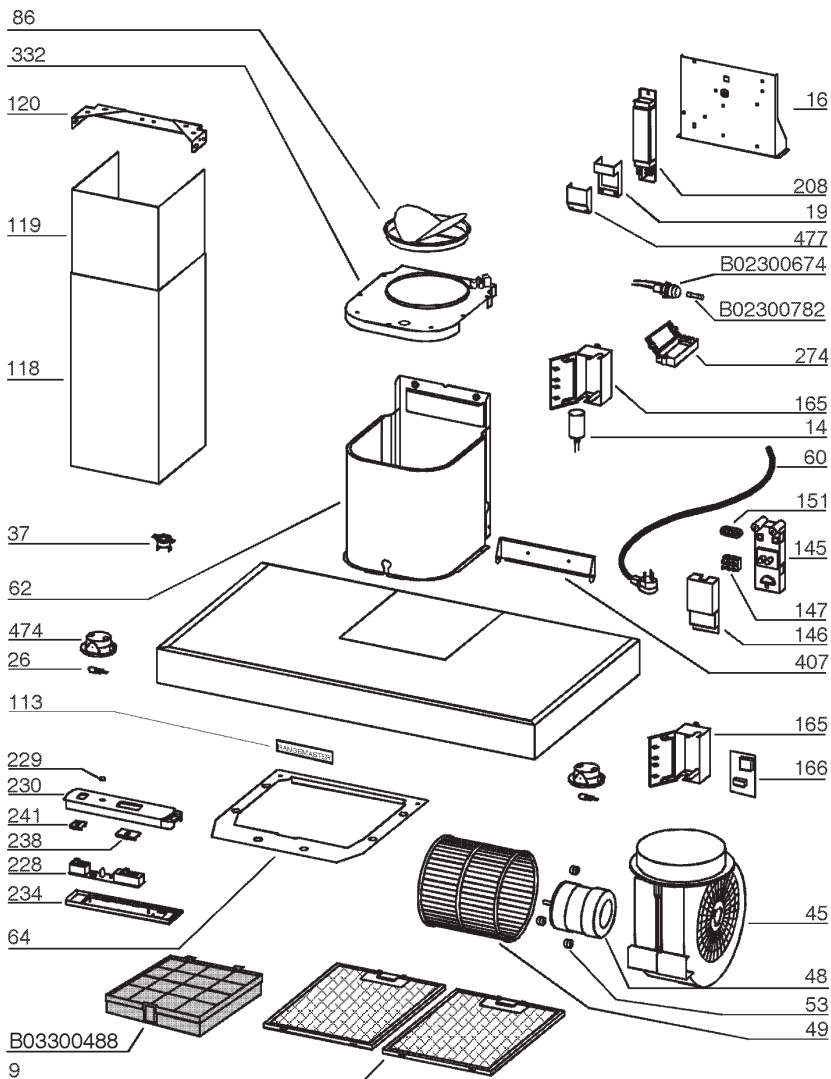
Broan-NuTone LLC, 926 West State Street, Hartford, WI 53027 (1 800 637-1453)

NuTone, Inc., 4820 Red Bank Road, Cincinnati, OH 45227 (1 800 543-8687)

Broan-NuTone Canada, Inc. 1140 Tristar Drive, Mississauga, Ontario, L5T 1H9 (1 888 882-7626)

LISTE PIÈCES DE RECHANGE

MODÈLE RM53000



PIÈCES DE RECHANGE

MODÈLE RM53000

REPÈRE	N° de PIÈCE	DESCRIPTION
9	B08087294	Filtre à graisse
14	B02300233	Condensateur pour moteur
16	BE3346354	Support du boîtier de connexion électrique
19	B03295005	Boîtier de jonction
26	B02300891	Ampoule halogène
37	B02300787	Thermostat Heat Sentry
45	BW0000019	Ventilateur
48	B02310203	Moteur
49	B03295076	Roue à ailettes
53	B03202007	Rondelle de caoutchouc
60	B02300249	Cordon d'alimentation
62	B08091462	Plaque de montage du ventilateur
64	BE3347000	Support de filtre
86	B08088378	Collier de sortie
113	B03202433	Plaque signalétique
118	BE3347192	Conduit décoratif inférieur
119	BE3347193	Conduit décoratif supérieur
120	B08091367	Bride de montage du conduit décoratif
145	B032920170	Boîtier de connexion du cordon d'alimentation
146	B032920180	Couvercle du boîtier de connexion du cordon d'alimentation
147	BR2300132	Pince de jonction
151	B032920200	Serre-câble du boîtier de connexion électrique
166	B08086668	Circuit
165	B03295008	Boîte de commande
208	B02300783	Transformateur
228	B08086279	Panneau de commande
229	B03201014	Témoin lumineux
230	B03295075	Couvercle du panneau de commande
234	B03295072	Boîte de commande
238	B03295074	Interrupteur du moteur
241	B03295073	Interrupteur d'éclairage
274	B03295035	Compartiment à fusible
332	B03295009	Couvercle
407	BE3344985	Support de ventilateur
474	B02300791	Socle d'ampoule halogène
477	B03295006	Couvercle du boîtier de jonction
998	B080810501	Accessoires de quincaillerie
*	B06002013	Ensemble de ventilateur (comprend repères nos 45, 48, 49, 53)
-	B03300488	Filtre de recirculation pour installation sans conduit
-	B08999634	ENSEMBLE de recirculation pour installation sans conduit
-	B02300782	Fusible
-	B02300674	Porte-fusible

* Illustré démonté.

LEA Y CONSERVE ESTAS INSTRUCCIONES

⚠ INDICADA SOLAMENTE PARA COCINAR EN CASA ⚠

⚡ ⚠ ADVERTENCIA

PARA REDUCIR EL RIESGO DE INCENDIOS, DESCARGAS ELÉCTRICAS O LESIONES PERSONALES, OBSERVE LAS SIGUIENTES PRECAUCIONES:

1. Use la unidad sólo de la manera indicada por el fabricante. Si tiene preguntas, comuníquese con el fabricante a la dirección o al número telefónico que se incluye en la garantía.
2. Antes de dar servicio o limpiar la unidad, interrumpa el suministro eléctrico en el panel de servicio y bloquee el panel de servicio para evitar que la electricidad se active accidentalmente. Cuando no sea posible bloquear los medios de desconexión del servicio, fije firmemente en un lugar prominente del panel de servicio un dispositivo de advertencia, como por ejemplo una etiqueta.
3. Una o más personas calificadas deben realizar el trabajo de instalación y el cableado eléctrico, de acuerdo con todos los códigos y normas correspondientes, incluidos los códigos y normas de construcción específicos de protección contra incendios.
4. Se necesita suficiente aire para que se lleve a cabo la combustión y descarga adecuadas de los gases a través del tubo de humos (chimenea) del equipo quemador de combustible, con el fin de evitar los contratiros. Siga las directrices y las normas de seguridad del fabricante del equipo de calentamiento, como aquellas publicadas por la Asociación Nacional de Protección contra Incendios (National Fire Protection Association, NFPA), y la Sociedad Americana de Ingenieros en Calefacción, Refrigeración y Aire Acondicionado (American Society for Heating, Refrigeration and Air Conditioning Engineers, ASHRAE), y las autoridades de los códigos locales.
5. Al cortar o perforar a través de la pared o del cielo raso, no dañe el cableado eléctrico ni otros servicios ocultos.
6. Los ventiladores con conductos siempre se deben conectar hacia el exterior.
7. No use esta unidad junto con ningún dispositivo de estado sólido separado para el control de la velocidad.
8. Para reducir el riesgo de incendio, use solamente conductos metálicos.
9. Esta unidad se debe conectar a tierra.

PARA REDUCIR EL RIESGO DE INCENDIO PROVOCADO POR GRASA PRESENTE EN LA ESTUFA:

- A. Nunca deje las unidades de la superficie desatendidas cuando estén en ajustes altos de calor. Los alimentos en ebullición provocan derrames grasosos y con humo que se pueden inflamar. Caliente el aceite lentamente en ajustes de calor bajo o medio.
- B. Siempre ENCIENDA la campana cuando esté cocinando a altas temperaturas o flamee alimentos (por ejemplo crepas Suzette, cerezas Jubilee, bistec con pimienta flameado).
- C. Limpie frecuentemente los ventiladores. No se debe permitir la acumulación de grasa en el ventilador ni en el filtro.
- D. Use una cacerola del tamaño adecuado. Siempre use utensilios de cocina que sean apropiados para el tamaño del elemento de la superficie.

ADVERTENCIA

PARA REDUCIR EL RIESGO DE LESIONES A LAS PERSONAS EN CASO DE INCENDIO PRODUCIDO POR GRASA PRESENTE EN LA ESTUFA, OBSERVE LO SIGUIENTE:*

1. APAGUE LAS LLAMAS con una tapa de ajuste exacto, una charola para galletas o una bandeja de metal, luego apague el quemador. TENGA CUIDADO PARA PREVENIR QUEMADURAS. Si las llamas no se apagan inmediatamente, EVACÚE EL ÁREA Y LLAME A LOS BOMBEROS.
2. NUNCA LEVANTE UNA CACEROLA INCENDIADA, se puede quemar.
3. NO USE AGUA, ni trapos o toallas de cocina mojados, puede producirse una explosión violenta de vapor.
4. Use un extintor SÓLO si:
 - A. Tiene un extintor de la Clase ABC y ya sabe cómo funciona.
 - B. El incendio es pequeño y está confinado en el área en la que se inició.
 - C. Va a llamar al Departamento de Bomberos.
 - D. Puede combatir el incendio teniendo la espalda orientada hacia una salida.

* Basado en "Kitchen Firesafety Tips" (Sugerencias para la seguridad contra incendios en la cocina) publicado por NFPA.

PRECAUCIÓN

1. Para reducir el riesgo de incendio y para descargar adecuadamente el aire, asegúrese de dirigir el aire hacia el exterior. No descargue el aire hacia espacios contenidos entre paredes o cielos rasos ni en áticos, sótanos bajos ni en la cochera.
2. Tenga cuidado cuando use agentes de limpieza o detergentes.
3. Evite usar bajo la campana de la estufa productos alimenticios que produzcan llamas.
4. Sólo para usarse en ventilación general. No se use para descargar materiales ni vapores peligrosos o explosivos.
5. Para evitar daños a los cojinetes del motor y rotores ruidosos y/o no equilibrados, mantenga el rocío de yeso, el polvo de la construcción, etc. alejados de la unidad de accionamiento.
6. El motor de su campana tiene una protección contra sobrecargas térmicas que automáticamente apagará el motor en caso de sobrecalentamiento. El motor reanudará su funcionamiento cuando se enfríe. Si el motor continúa apagándose y encendiéndose, solicite servicio para la campana.
7. Para capturar mejor las impurezas producidas al cocinar, la parte inferior de la campana debe estar a una altura mínima de 24 pulg. (60 cm) y máxima de 30 pulg. (76.2 cm) sobre la superficie de cocinado. Consulte el apartado "Instalación del soporte de montaje" para ver las restricciones de montaje.
8. Se recomienda que dos personas hagan la instalación debido al gran tamaño y peso de esta campana.
9. Este producto está equipado con un termostato que puede iniciar automáticamente el funcionamiento del ventilador. Para reducir el riesgo de lesiones personales y para evitar que la electricidad sea reanudada accidentalmente, interrumpa el suministro eléctrico en el panel de servicio y bloquee o rotule este panel.
10. No utilice la tapa de la campana como estante.
11. Lea la etiqueta de especificaciones del producto para ver información y requisitos adicionales.

OPERACIÓN

Controles

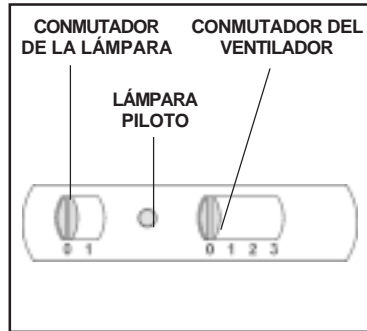
La campana se opera usando los controles de deslizamiento que se encuentran debajo de la parte inferior de la campana.

El **conmutador de la lámpara** enciende y apaga las lámparas.

El **conmutador del ventilador** enciende el ventilador en uno de los siguientes ajustes de velocidad:

- 0 - APAGADO
- 1 - VELOCIDAD BAJA
- 2 - VELOCIDAD MEDIA
- 3 - VELOCIDAD ALTA

La **lámpara piloto** se enciende siempre que el ventilador esté encendido.



Termostato HEAT SENTRY™

Su campana está equipada con un termostato HEAT SENTRY™. Este termostato es un dispositivo que encenderá el ventilador, o aumentará su velocidad, si detecta un calor excesivo sobre la superficie de cocinado.

1. Si el ventilador está APAGADO - ENCIENDE el ventilador a ALTA velocidad.
2. Si el ventilador está ENCENDIDO a una velocidad menor - pone el ventilador a ALTA velocidad.

Cuando la temperatura baja a un nivel normal, el ventilador regresa a su ajuste original.

⚠ ADVERTENCIA: El termostato HEAT SENTRY puede encender el ventilador aunque la campana esté APAGADA. Cuando esto ocurre, es imposible APAGAR el ventilador con su conmutador. Si debe apagar el ventilador, hágalo desde el panel eléctrico principal.

BOMBILLAS DE HALÓGENO

Esta campana de estufa requiere dos bombillas de halógeno (Tipo JC, de 12 Voltios, 20 Watts máximo y base G-4).

⚠ ADVERTENCIA: Siempre apague el suministro eléctrico antes de realizar cualquier operación en el electrodoméstico.

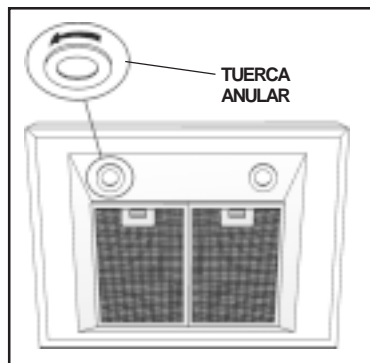
Para cambiar las bombillas:

1. Afloje la tuerca anular girándola hacia la izquierda.
2. Quite la bombilla halándola hacia un lado (NO LA GIRE).

⚠ PRECAUCIÓN: La bombilla puede estar caliente.

3. Reemplace la bombilla de halógeno Tipo JC, de 12 Volt, 20 Watts máximo y base G-4 Base. ¡No toque la bombilla de reemplazo con las manos desnudas!

No utilice los bulbos mayor de 20 vatios. Los bulbos mayor de 20 vatios harán el fusible abrirse.



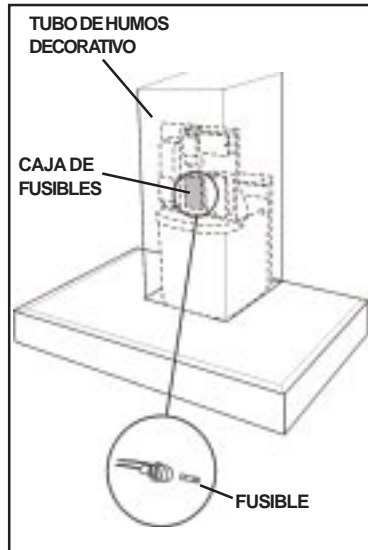
REEMPLAZO DEL FUSIBLE

SI LAS LÁMPARAS NO FUNCIONAN, DESCONECTE LA ENERGÍA EN LA ENTRADA DEL SERVICIO. REVISE EL FUSIBLE Y REEMPLÁCELO SI ES NECESARIO.

1. Eleve o quite el tubo de humos decorativo inferior.
2. Quite la tapa de la caja de fusibles.
3. Desenrosque la tapa del portafusibles y saque el fusible.
4. Reemplace el fusible con otro del mismo tamaño y amperaje (5 x 20 mm, 4 A, 125 V).

No utilice los fusibles mayor de 4 amperios. Los fusibles mayor de 4 amperios pueden dañar el transformador.

5. Vuelva a colocar la tapa del portafusibles, la cubierta de la caja de fusibles y el tubo de humos.
6. Vuelva a conectar la energía en la entrada del servicio.



MANTENIMIENTO

El mantenimiento correcto de la campana de la estufa asegurará el funcionamiento adecuado de la unidad.

Filtros de grasa

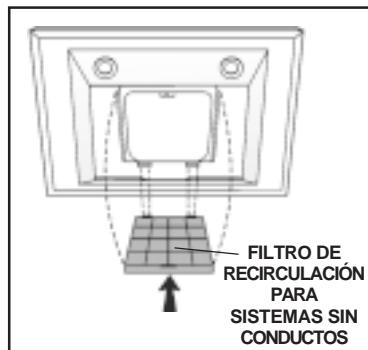
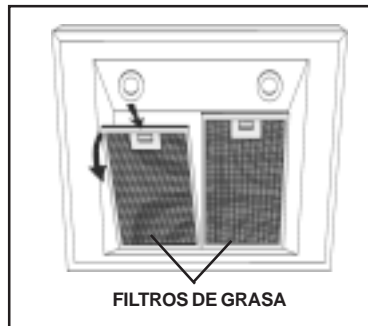
Los **filtros de grasa** se deben limpiar con frecuencia. Use una solución tibia de detergente y agua. Los filtros de grasa se pueden lavar en lavaplatos.

Consulte la sección "INSTALACIÓN DE LOS FILTROS" para ver las instrucciones de instalación y remoción.

Filtro de recirculación para sistemas sin conductos

El filtro de recirculación para sistemas sin conductos se debe cambiar cada 6 meses.

Consulte la sección "INSTALACIÓN DE LOS FILTROS" para ver las instrucciones de instalación y remoción.



Limpieza de la campana

El acero inoxidable es uno de los materiales que se pueden mantener limpios con más facilidad. Un cuidado ocasional ayudará a mantener su buen aspecto.

Consejos útiles de limpieza:

1. Normalmente, todo lo que se necesita es agua caliente con detergente.
2. Enjuague bien con agua clara después de limpiar. Seque con un trapo limpio y suave para no dejar marcas de agua.
3. Si persisten las descoloraciones o los depósitos, use un limpiador casero que no deje arañazos o un polvo de pulir para acero inoxidable con un poco de agua y un trapo suave.
4. En los casos más persistentes, use una esponja desengrasadora o un cepillo de cerdas suaves junto con el limpiador y agua. Frote ligeramente en la misma dirección que las líneas de pulido o "grano" del acabado de acero inoxidable. No aplique demasiada presión porque podría desgastar la superficie.
5. **NO** permita que se acumulen depósitos durante largos periodos de tiempo.
6. **NO** use lana de acero ni cepillos de acero ordinarios. Se podrían adherir pequeños trozos de acero a la superficie y hacer que se oxide.
7. **NO** permita que permanezcan en contacto con el acero inoxidable, durante mucho tiempo, soluciones salinas, desinfectantes, blanqueadores o compuestos de limpieza. Muchos de estos compuestos contienen productos químicos que pueden ser dañinos. Si el acero inoxidable entra en contacto con estos compuestos, enjuague con agua y seque con un trapo limpio.

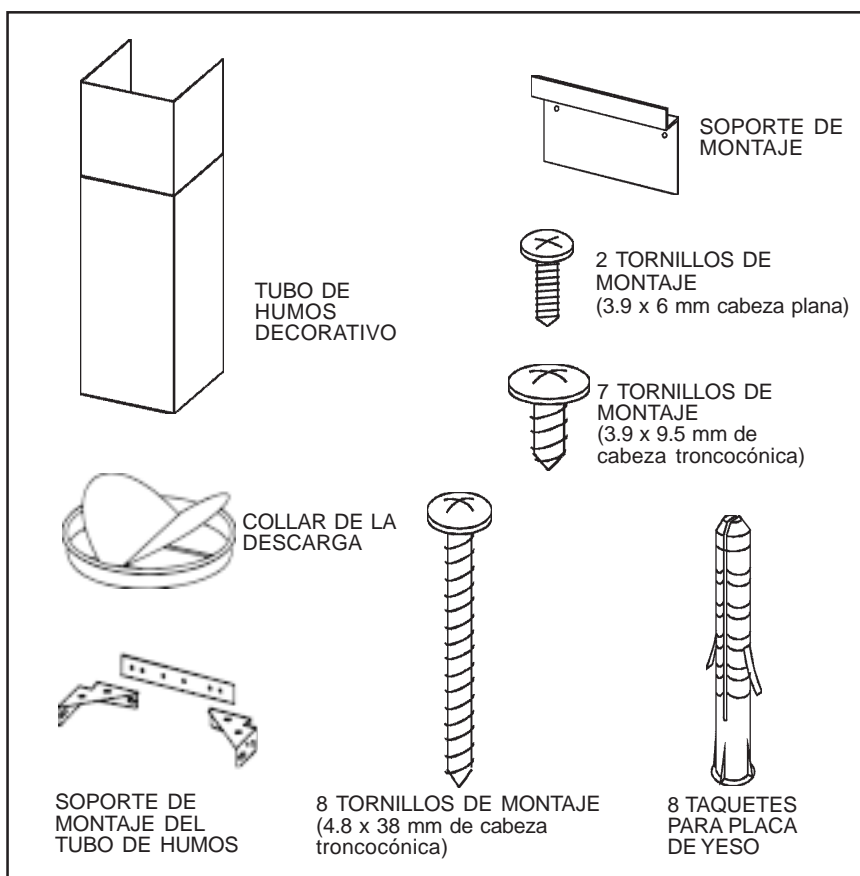
Las superficies pintadas se deben limpiar solamente con agua tibia y un detergente suave.

PREPARACIÓN DE LA CAMPANA

Desempaque la campana y revise el contenido del paquete.

Debe recibir:

- 1 - Campana
- 1 - Conjunto del tubo de humos decorativo
- 1 - Bolsa de piezas
 - 1 - Soporte de montaje
 - 1 - Collar de la descarga
 - 1 - Soporte de montaje del tubo de humos
 - 8 - Tornillos de montaje (4.8 x 38 mm de cabeza troncocónica)
 - 7 - Tornillos de montaje (3.9 x 9.5 mm de cabeza troncocónica)
 - 2 - Tornillos de montaje (3.9 x 6 mm cabeza plana)
 - 8 - Taquetes para placa de yeso
- 1 - Instrucciones de instalación
- 1 - Tarjeta de garantía

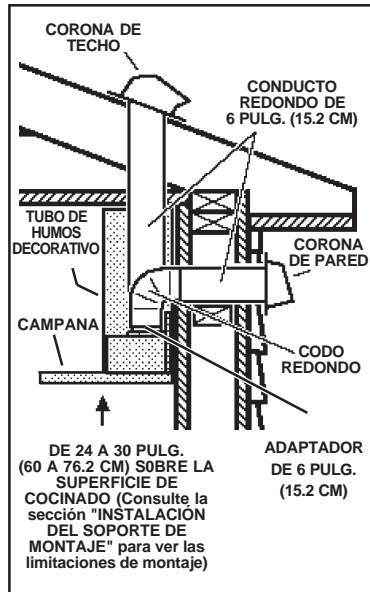


INSTALACIÓN DEL SISTEMA DE CONDUCTOS

(SÓLO CAMPANAS PARA SISTEMAS CON CONDUCTO)

⚠ PRECAUCIÓN: Para reducir el riesgo de incendio, use solamente conductos metálicos.

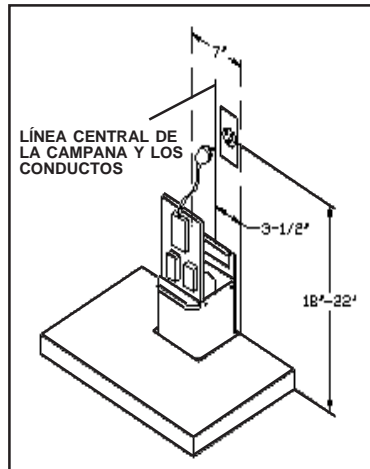
1. Decida dónde instalará el conducto entre la campana y el exterior.
2. Un conducto recto y corto permitirá que la campana funcione más eficientemente.
3. Los tramos largos de conductos, codos y transiciones reducirán el rendimiento de la campana. Use tan pocos de ellos como sea posible. Es posible que se requieran conductos más grandes de para un mejor funcionamiento con tramos más largos de conductos.
4. Instale una corona de techo o una corona de pared. Conecte un conducto metálico redondo en la corona y trabaje hacia atrás, hacia la ubicación de la campana. Use cinta para conductos para sellar las uniones entre las secciones de conductos.



INSTALACIÓN ELÉCTRICA

⚠ ADVERTENCIA: Una o más personas calificadas deben realizar el trabajo de cableado eléctrico, de acuerdo con todos los códigos y normas correspondientes. Esta campana debe estar adecuadamente conectada a tierra. Interrumpa la energía eléctrica a la entrada de servicio antes de comenzar el cableado.

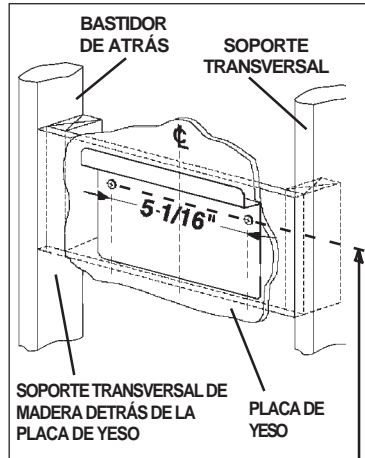
1. Planee la ubicación de la campana sobre la superficie de la estufa. Consulte la sección "INSTALACIÓN DEL SOPORTE DE MONTAJE" para ver las opciones de la altura de montaje de la campana.
2. Instale una caja estándar de tomacorriente de la pared de 2 x 4 pulg. (5 x 10 cm) y un receptáculo de 3 hojas de 125 voltios y 15 A con conexión a tierra.
3. Monte el receptáculo de 18 a 22 pulg. (46 a 56 cm) sobre la parte inferior de la campana.
4. Ubique el receptáculo dentro de los límites mostrados y fuera de la línea central de los conductos (a fin de dejar espacio para el enchufe del cable de alimentación y el tubo de humos).



INSTALACIÓN DEL SOPORTE DE MONTAJE

(CAMPANAS CON Y SIN CONDUCTOS)

1. Construya un **bastidor** de madera en la pared que quede al **ras** de la superficie interior de los montantes de la pared. Asegúrese de que:
 - a) el bastidor esté centrado en el lugar de la instalación.
 - b) la altura del bastidor permita fijar el **sopORTE de montaje** en el bastidor dentro de las dimensiones mostradas.
2. **Después de que se termine la superficie de la pared** fije el soporte de montaje en el bastidor usando las dimensiones mostradas.



ALTURA DEL CIELO RASO	DISTANCIA DE LA CAMPANA POR ENCIMA DE 36 PULG. (90 CM) SOBRE LA SUPERFICIE DE LA COCINA (NOTA 1)						
	24 PULG. (60 CM)	25 PULG. (63.5 CM)	26 PULG. (66 CM)	27 PULG. (68.6 CM)	28 PULG. (71.1 CM)	29 PULG. (73.6 CM)	30 PULG. (76.2 CM)
	ALTURA DEL SOPORTE DE MONTAJE POR ENCIMA DE 36 PULG. (90 CM) SOBRE LA SUPERFICIE DE LA COCINA						
8 PIES (244 CM)	37 PULG. (94 CM)	38 PULG. (96.5 CM)	39 PULG. (99.1 CM)	40 PULG. (101.6 CM)	41 PULG. (104.1 CM)		
9 PIES (274 CM)		38 PULG. (96.5 CM)	39 PULG. (99.1 CM)	40 PULG. (101.6 CM)	41 PULG. (104.1 CM)	42 PULG. (106.7 CM)	43 PULG. (109.2 CM)
10 PIES (305 CM) (NOTA 2)		38 PULG. (96.5 CM)	39 PULG. (99.1 CM)	40 PULG. (101.6 CM)	41 PULG. (104.1 CM)	42 PULG. (106.7 CM)	43 PULG. (109.2 CM)

Notas:

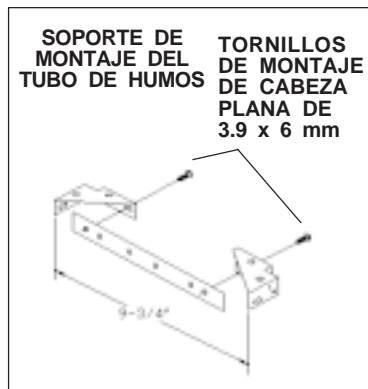
1. La distancia mínima de la campana sobre la superficie de la estufa no debe ser menor de 24 pulg. (60 cm). Se recomienda enfáticamente una distancia máxima de 30 pulg. (76.2 cm) sobre la superficie de la estufa para la mejor captura de las impurezas resultantes del cocinado. Las distancias mayores de 30 pulg. (76.2 cm) se deben manejar a discreción del usuario y de la persona encargada de la instalación, y si la altura del cielo raso y la longitud del tubo de humos lo permiten.

2. Requiere una extensión opcional de tubo de humos de 10 pies (305 cm) modelo RFX5304 (con conducto) o RFXN5304 (sin conducto).

INSTALACIÓN DEL SOPORTE DE MONTAJE DEL TUBO DE HUMOS

(CAMPANAS CON Y SIN CONDUCTOS)

1. Monte el soporte de montaje del tubo de humos, ajustando el ancho exterior como se muestra. Consulte la Figura 10.
2. Centre **cuidadosamente** el soporte de montaje directamente sobre la ubicación de la campana de la estufa.
3. Fije el conjunto del soporte en el cielo raso usando (2) tornillos de montaje de 3.9 x 6 mm y taquetes para placa de yeso. Asegúrese de que el soporte quede presionado sobre la esquina, pegado contra la pared y centrado sobre la campana.



PREPARACIÓN DE LA CAMPANA

NOTA: En campanas de acero inoxidable, quite cuidadosamente la película plástica protectora de todas las superficies exteriores de la campana, del tubo de humos decorativo, y marcos de filtro antes de la instalación final.

(SÓLO CAMPANAS PARA SISTEMAS CON CONDUCTO)

1. Instale el collar de la descarga en el conector del conducto de la campana de estufa.
2. Instale el tramo adecuado de conducto redondo de acero de 6 pulg. (15.2 cm) al conector del conducto de la campana de la estufa.
3. Coloque cinta para conductos en todas las uniones para asegurarlas y hacerlas herméticas.
4. Fije la placa del sistema eléctrico en la campana de la estufa con dos (2) tornillos de montaje.
5. Coloque con cuidado la sección inferior del tubo de humos decorativo en el área empotrada de la superficie de la campana para la estufa.
6. Deslice con cuidado la sección superior del tubo de humos decorativo en el interior de la sección inferior del tubo de humos decorativo.

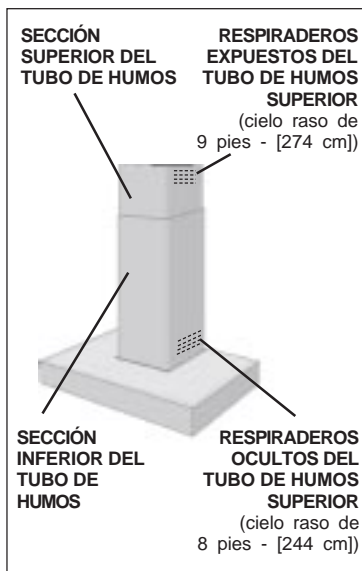
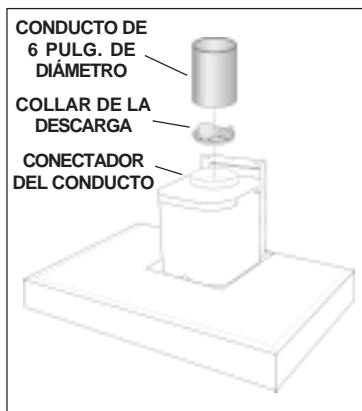
Nota: En cielos rasos de 8 pies (244 cm) los sistemas de ventilación de la sección superior del tubo de humos quedan ocultos al instalar el tubo de humos con los sistemas de ventilación hacia abajo.

Nota: En cielos rasos de 9 pies (274 cm), los sistemas de ventilación de la sección superior del tubo de humos quedarán expuestos después de la instalación.

HABITACIONES CON CIELO RASO DE 10 PIES (305 CM)

Las habitaciones con cielo raso de 10 pies (305 cm) requieren la extensión del tubo de humos modelo RFX5304, disponible en la concesionaria de su localidad.

7. Deseche el tubo de humos superior que se incluye con el producto. Reemplácelo con la extensión del tubo de humos modelo RFX5304.



PREPARACIÓN DE LA CAMPANA

(SÓLO CAMPANAS PARA SISTEMAS SIN CONDUCTO)

Nota: Se deben comprar los siguientes materiales para las instalaciones de recirculación sin conductos.

Juego de recirculación sin conducto, Modelo RRK51

Conducto de aluminio flexible / extensible de 5 pulg. (12.7 cm) de diámetro

Broca giratoria de 1/16 pulg. (1.6 mm) de diámetro

! PRECAUCIÓN: No use conducto de plástico ni de metal rígido.

1. Determine la longitud del conducto de aluminio flexible comprimido usando la siguiente formula:

34 pulg. (86.4 cm)	MENOS Distancia sobre la superficie de la estufa. Consulte la tabla de limitaciones de la altura en la página 37.	MÁS	12 pulg. (30.5 cm) si la altura del cielo raso es de 9 pies (274 cm) o 24 pulg. (61 cm) si la altura del cielo raso es de 10 pies	=	Longitud del conducto de aluminio flexible comprimido.
--------------------	--	------------	---	---	--

Hoja de trabajo: 34 pulg. (86.4 cm) - _____ + _____ (sólo para cielo raso de 9

pies [2.7 cm] o 10 pies [3.05 cm]) = _____

2. Deseche el collar de la descarga/regulador de tiro que se suministra con la campana. Instale el adaptador de 5 a 6 pulg. (12,7 a 15,2 cm) suministrado con el juego de recirculación sin conducto.

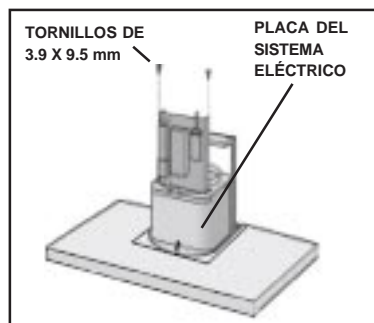
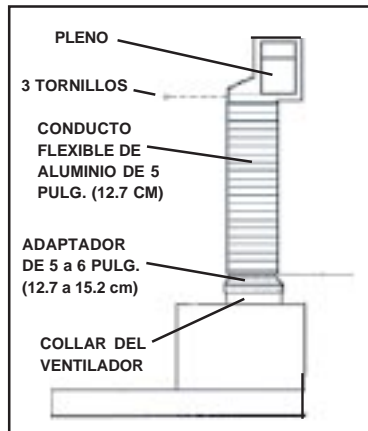
3. Conecte el conducto flexible de aluminio al adaptador de 5 pulg. (12,7 cm). Fije firmemente todas las juntas con cinta para conductos a fin de evitar la separación de los componentes cuando se expandan los conductos flexibles.

4. Monte el pleno de recirculación en el conducto flexible.

5. Haga con el taladro tres (3) orificios de 1/16 pulg. (1.6 mm) de diámetro separados a una distancia igual a través del conducto y del conector del conducto en el pleno de recirculación.

6. Fije el conducto en el conector del pleno con (3) tornillos autorroscantes. (3.9 x 9.5 mm) Coloque cinta para conductos en todas las uniones.

7. Fije la placa del sistema eléctrico en la campana de la estufa con dos (2) tornillos de montaje.

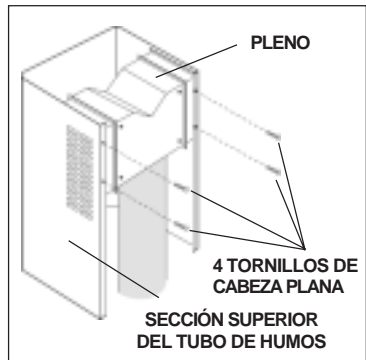


PREPARACIÓN DE LA CAMPANA (CONTINUACIÓN)

(SÓLO CAMPANAS PARA SISTEMAS SIN CONDUCTO)

- Deslice con cuidado la sección superior del tubo de humos decorativo en el interior de la sección inferior del tubo de humos decorativo.
- Coloque con cuidado los tubos de humos decorativos en el área empotrada de la superficie de la campana para la estufa.

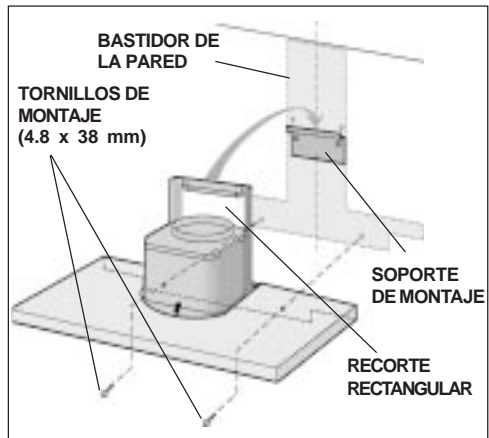
Nota: Los respiraderos deben quedar hacia arriba.



HABITACIONES CON CIELO RASO DE 10 PIES (305 CM)

Las habitaciones con cielo raso de 10 pies requieren la extensión del tubo de humos modelo RFXN5304, disponible en la concesionaria de su localidad.

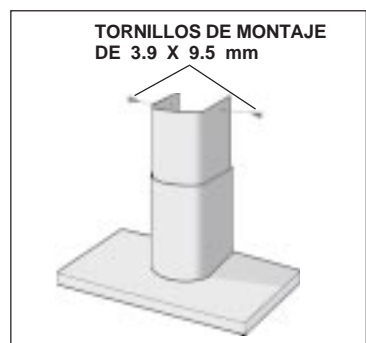
- Deseche el tubo de humos superior que se incluye con el producto. Reemplácelo con la extensión para tubos de humos modelo RFXN5304.
- Fije el pleno de recirculación en la sección superior del tubo de humos con (4) tornillos de cabeza plana.



INSTALACIÓN DE LA CAMPANA

Nota: Se requieren al menos dos personas para montar la campana.

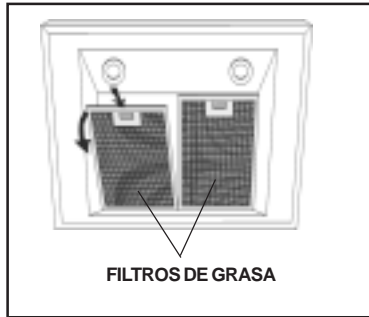
- Alinee la abertura rectangular que se encuentra en la parte posterior de la campana con el soporte de montaje en la pared. Lentamente baje la campana hasta que se fije con seguridad en el soporte.
- Nivele la campana y fíjela con (2) tornillos de montaje debajo de la campana. Use los taquetes para placa de yeso que se proporcionaron si no hay disponibles montantes o un bastidor.
- Eleve la sección superior del tubo de humos hasta que sus orificios queden alineados con los orificios del soporte de montaje del tubo de humos (ubicado en el cielo raso).
- Fije el tubo de humos con (2) tornillos de montaje.



INSTALACIÓN DE FILTROS

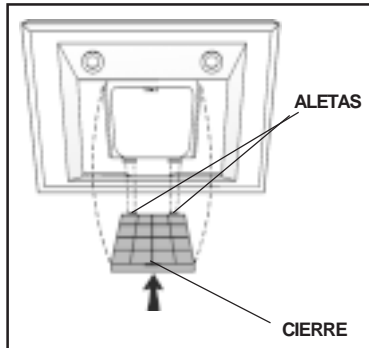
(CAMPANAS CON Y SIN CONDUCTOS)

1. Para quitar el filtro de GRASA, presione sobre la aleta de cierre metálica. Esto desprenderá el filtro de la campana. Inclíne el filtro hacia abajo y quítelo.
2. Para instalar el filtro de GRASA, alinee las aletas posteriores del filtro con las ranuras de la campana. Presione sobre la aleta de cierre metálica, presione el filtro a su posición y libere. Asegúrese de que el filtro esté seguramente instalado después de la instalación.



(SÓLO CAMPANAS PARA SISTEMAS SIN CONDUCTO)

1. Para quitar el filtro de CARBÓN, presione sobre el cierre frontal del filtro. Hale el filtro hacia abajo para desembragar las aletas posteriores del filtro.
2. Para instalar el filtro para CARBÓN, alinee las aletas posteriores del filtro con las ranuras de la campana. Presione el filtro hacia arriba, a su lugar, hasta que el cierre frontal se conecte firmemente en la ranura. Asegúrese de que el filtro esté seguramente instalado después de la instalación.
3. Instale el filtro de GRASA después de haber instalado el filtro de carbón.



GARANTÍA

GARANTÍA LIMITADA DE UN AÑO DE BROAN-NUTONE LLC

Broan-NuTone LLC garantiza al consumidor comprador original de sus productos que tales productos estarán libres de defectos en materiales o mano de obra durante un período de un año a partir de la fecha de la compra original. NO EXISTEN OTRAS GARANTÍAS, EXPRESAS NI IMPLÍCITAS, INCLUIDAS (PERO SIN LIMITARSE A) GARANTÍAS IMPLÍCITAS DE COMERCIALIZACIÓN O IDONEIDAD PARA UN PROPOSITO PARTICULAR.

Durante este período de un año, Broan-NuTone LLC, a su criterio, reparará o reemplazará, sin cargo alguno, cualquier pieza o producto que se encuentre defectuoso bajo condiciones normales de uso y servicio. ESTA GARANTÍA NO SE EXTIENDE A ARRANCADORES Y TUBOS DE LÁMPARAS FLUORESCENTES NI A BOMBILLAS DE HALÓGENO E INCANDESCENTES. Esta garantía no cubre (a) mantenimiento y servicio normales ni (b) ningún producto o piezas que se hayan sometido a uso inadecuado, negligencia, accidente, mantenimiento o reparación inadecuada (no hecha por Broan-NuTone LLC), instalación incorrecta o instalación en contra de las instrucciones de instalación recomendadas.

La duración de cualquier garantía implícita se limita al período de un año como se especifica para la garantía explícita. Algunos estados no permiten la limitación de la duración de una garantía implícita, de manera que las limitaciones antedichas pueden no aplicar a usted.

LA OBLIGACIÓN DE BROAN-NUTONE LLC DE REPARAR O REEMPLAZAR, A OPCIÓN DE BROAN-NUTONE LLC, SERÁ EL ÚNICO Y EXCLUSIVO RECURSO DEL COMPRADOR BAJO ESTA GARANTÍA. BROAN-NUTONE LLC NO SERÁ RESPONSABLE POR DAÑOS INCIDENTALES, RESULTANTES O ESPECIALES QUE SURJAN DE O EN RELACIÓN CON EL USO O RENDIMIENTO DEL PRODUCTO. Algunos estados no permiten la exclusión o la limitación de daños incidentales o resultantes, de manera que es posible que la limitación antedicha no aplique en su caso.

Esta garantía le da derechos legales específicos, y usted puede tener otros derechos que varían entre estados. Esta garantía sustituye a todas las garantías anteriores.

Para tener derecho al servicio cubierto por la garantía, debe (a) notificar a Broan-NuTone LLC a la dirección que se indica abajo, o al teléfono: 1-800-637-1453, (b) dar el número de modelo y la identificación de la pieza y (c) describir la naturaleza de cualquier defecto en el producto o pieza. En el momento de solicitar el servicio de la garantía, debe presentar comprobante de la fecha de la compra original.

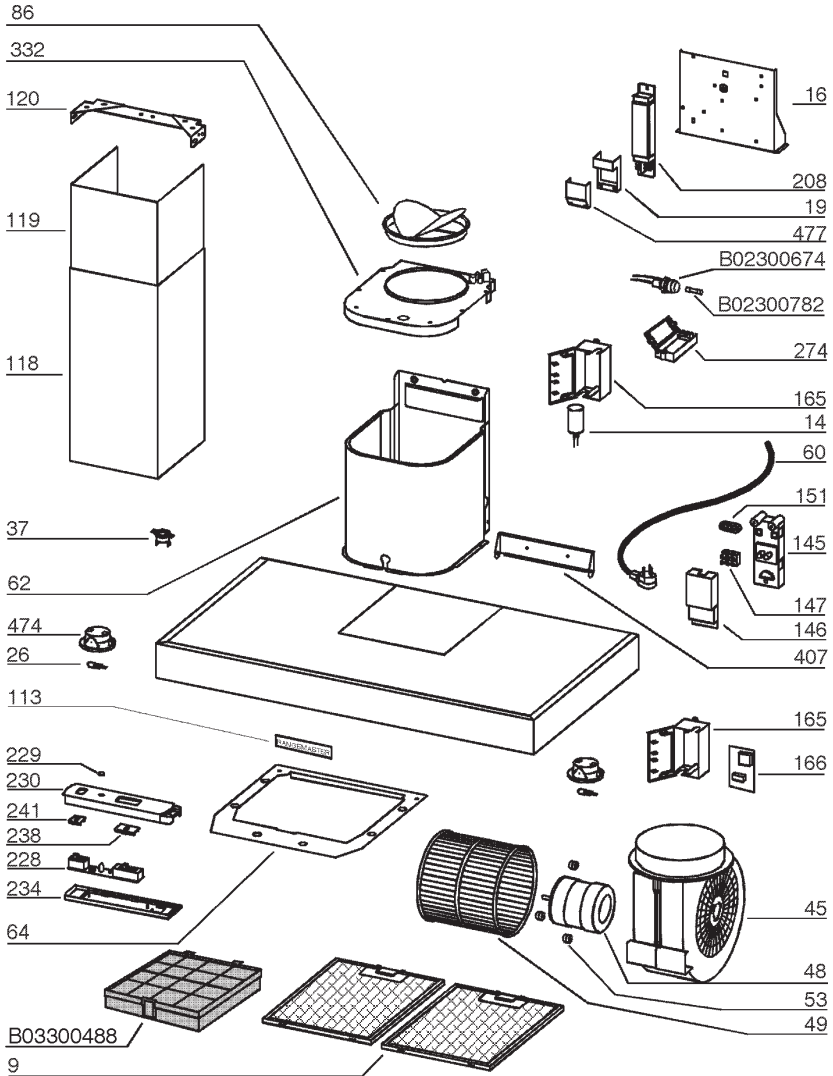
Broan-NuTone LLC. 926 West State Street, Hartford, WI 53027 (1-800-637-1453)

NuTone, Inc., 4820 Red Bank Road, Cincinnati, OH 45227 (1-800-543-8687)

Broan-NuTone Canada, Inc. 1140 Tristar Drive, Mississauga, Ontario, L5T 1H9 (1-888-882-7626)

LISTA DE PIEZAS DE RECAMBIO

MODELO RM53000



PIEZAS DE REPUESTO

MODELO RM53000

CLAVE N°.	PIEZA N°.	DESCRIPCIÓN
9	B08087294	Filtro de grasa
14	B02300233	Capacitor del motor
16	BE3346354	Soporte de la caja eléctrica
19	B03295005	Caja de terminales
26	B02300891	Bombilla para la lámpara de halógeno
37	B02300787	Termostato Heat Sentry
45	BW0000019	Ventilador
48	B02310203	Motor
49	B03295076	Rodete del ventilador
53	B03202007	Arandela de caucho
60	B02300249	Cable de alimentación
62	B08091462	Tapa de montaje del ventilador
64	BE3347000	Soporte del filtro
86	B08088378	Collar de la descarga
113	B03202433	Placa del fabricante
118	BE3347192	Sección inferior del tubo de humos decorativo
119	BE3347193	Sección superior del tubo de humos decorativo
120	B08091367	Soporte de montaje del tubo de humos
145	B032920170	Caja de conexión del cable de alimentación
146	B032920180	Cubierta de la caja de conexión del cable de alimentación
147	BR2300132	Pinza de conexión
151	B032920200	Retenedor de alambres de la caja eléctrica
166	B08086668	Tablero
165	B03295008	Caja del tablero de control
208	B02300783	Transformador
228	B08086279	Tablero de control
229	B03201014	Lámpara de advertencia
230	B03295075	Cubierta de la caja del tablero de conmutación
234	B03295072	Caja del tablero de control
238	B03295074	Pulsador del conmutador del motor
241	B03295073	Pulsador del conmutador de la lámpara
274	B03295035	Caja de fusibles
332	B03295009	Cubierta
407	BE3344985	Soporte de apoyo del ventilador
474	B02300791	Cubierta de la lámpara de halógeno
477	B03295006	Cubierta del terminal
998	B080810501	Paquete de herraje
*	B06002013	Conjunto del ventilador (incluye Claves N°. 45, 48, 49, 53)
-	B03300488	Filtro de recirculación para sistemas sin conductos
-	B08999634	JUEGO de recirculación para sistemas sin conductos
-	B02300782	Fusible
-	B02300674	Portafusibles

* No se muestra montado.

