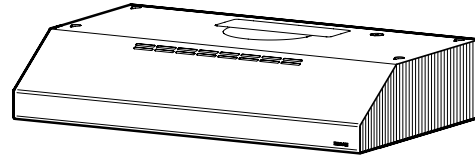


## QML Series Range Hoods

Register your product online  
at: [www.broan.com](http://www.broan.com)



# READ AND SAVE THESE INSTRUCTIONS

## FOR DOMESTIC COOKING ONLY

### WARNING

**TO REDUCE THE RISK OF FIRE, ELECTRIC SHOCK, OR INJURY TO PERSONS, OBSERVE THE FOLLOWING:**

1. Use this unit only in the manner intended by the manufacturer. If you have questions, contact the manufacturer at the address or telephone number listed in the warranty.
2. Before servicing or cleaning unit, switch power off at service panel and lock the service disconnecting means to prevent power from being switched on accidentally. When the service disconnecting means cannot be locked, securely fasten a prominent warning device, such as a tag, to the service panel.
3. Installation work and electrical wiring must be done by a qualified person(s) in accordance with all applicable codes and standards, including fire-rated construction.
4. Sufficient air is needed for proper combustion and exhausting of gases through the flue (chimney) of fuel burning equipment to prevent backdrafting. Follow the heating equipment manufacturer's guideline and safety standards such as those published by the National Fire Protection Association (NFPA), and the American Society of Heating, Refrigeration and Air Conditioning Engineers (ASHRAE), and the local code authorities.
5. This product may have sharp edges. Be careful to avoid cuts and abrasions during installation and cleaning.
6. When cutting or drilling into wall or ceiling, do not damage electrical wiring and other hidden utilities.
7. Ducted fans must always be vented to the outdoors.
8. Use only metal ductwork.
9. Do not use this fan with any solid-state speed control device.
10. As an alternative, this product may be installed with the UL-approved cord kit designated for the product, following instructions packed with the cord kit.
11. This unit must be grounded.

#### **TO REDUCE THE RISK OF A RANGE TOP GREASE FIRE:**

1. Never leave surface units unattended at high settings. Boilovers cause smoking and greasy spillovers that may ignite. Heat oils slowly on low or medium settings.
2. Always turn hood ON when cooking at high heat or when flambéing food (i.e. Crepes Suzette, Cherries Jubilee, Peppercorn Beef Flambé).
3. Clean ventilating fans frequently. Grease should not be allowed to accumulate on fan or filter.
4. Use proper pan size. Always use cookware appropriate for the size of the surface element.

#### **TO REDUCE THE RISK OF INJURY TO PERSONS IN THE EVENT OF A RANGE TOP GREASE FIRE, OBSERVE THE FOLLOWING:\***

1. SMOTHER FLAMES with a close-fitting lid, cookie sheet, or metal tray, then turn off the burner. BE CAREFUL TO PREVENT BURNS. If the flames do not go out immediately, EVACUATE AND CALL THE FIRE DEPARTMENT.

### WARNING

2. NEVER PICK UP A FLAMING PAN — You may be burned or spread the fire.
  3. DO NOT USE WATER, including wet dishcloths or towels - a violent steam explosion will result.
  4. Use an extinguisher ONLY if:
    - A. You know you have a Class ABC extinguisher, and you already know how to operate it.
    - B. The fire is small and contained in the area where it started.
    - C. The fire department is being called.
    - D. You can fight the fire with your back to an exit.
- \* Based on "Kitchen Firesafety Tips" published by NFPA.

### CAUTION

1. For indoor use only.
2. For general ventilating use only. Do not use to exhaust hazardous or explosive materials and vapors.
3. To avoid motor bearing damage and noisy and/or unbalanced impeller, keep drywall spray, construction dust, etc., off power unit.
4. Do not use over cooking equipment greater than 60,000 BTU/hr.
5. Your hood motor has a thermal overload which will automatically shut off the motor if it becomes overheated. The motor will restart when it cools down. If the motor continues to shut off and restart, have the hood serviced.
6. The bottom of the hood MUST NOT BE LESS than 18" and at a maximum of 24" above cooktop for best capture of cooking impurities.
7. Please read specification label on product for further information and requirements.

#### **NOTE**

If hood is to be installed non-ducted:

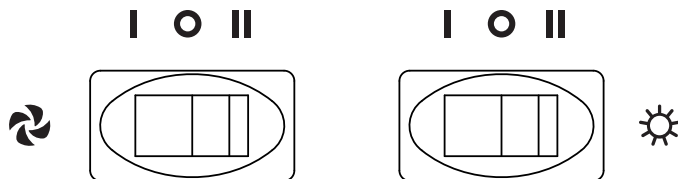
Purchase non-ducted filter (Model BPQTF) from your local distributor or retailer.

**Installer: Leave this manual  
with the homeowner.  
Homeowner: Cleaning, Maintenance and  
Operating instructions on page 2.**

## OPERATION

Always turn the hood ON before cooking in order to establish an air flow in the kitchen. After turning off the range, let the hood run for a few minutes to clear the air.

Operate the hood as follows:



### FAN SWITCH

- I Turns fan on to LOW speed.
- O Turns fan OFF.
- II Turns fan on to HIGH speed.

### LIGHT SWITCH

- I Turns light on to LOW intensity.
- O Turns light OFF.
- II Turns light on to HIGH intensity.

## CLEANING AND MAINTENANCE

Proper maintenance of the Range Hood will assure proper performance of the unit.

### Motor

The motor is permanently lubricated and never needs oiling. If the motor bearings make excessive or unusual noise, replace the motor with the exact service motor. The impeller should also be replaced.

### Grease Filter

The grease filter should be cleaned frequently. Use a warm dishwashing detergent solution. Grease filter is dishwasher safe. Clean all-metal filters in the dishwasher using a non-phosphate detergent. Discoloration of the filter may occur if using phosphate detergents, or as a result of local water conditions - but this will not affect filter performance. This discoloration is not covered by the warranty.

See "INSTALL FILTERS" section for removal and installation instructions.

### Non-ducted Recirculation Filter

The non-ducted recirculation filter should be changed every 6 months. Replace more often if your cooking style generates extra grease, such as frying and wok cooking. See Step 15 on page 4, for removal and installation instructions.

### Stainless Steel Cleaning

#### DO:

- Regularly wash with clean cloth or rag soaked with warm water and mild soap or liquid dish detergent.
- Always clean in the direction of original polish lines.
- Always rinse well with clear water (2 or 3 times) after cleaning. Wipe dry completely.
- You may also use a specialized household stainless steel cleaner.

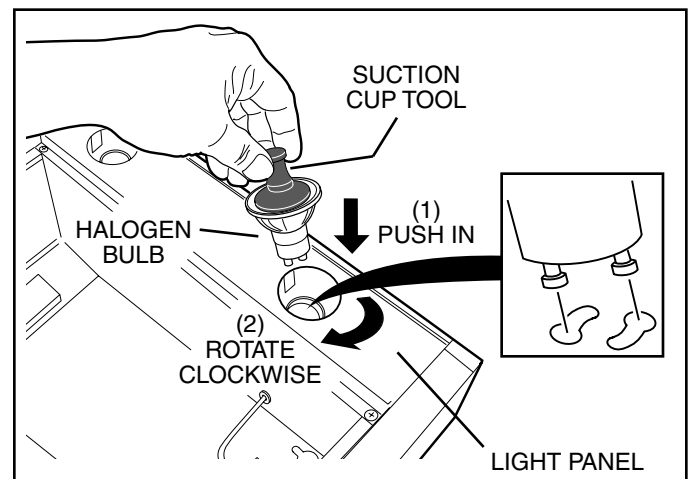
#### DON'T:

- Use any steel or stainless steel wool or any other scrapers to remove stubborn dirt.
- Use any harsh or abrasive cleansers.
- Allow dirt to accumulate.
- Let plaster dust or any other construction residues reach the hood. During construction/renovation, cover the range hood to make sure no dust sticks to the stainless steel surface.

#### Avoid: When choosing a detergent

- Any cleaners that contain bleach will attack stainless steel.
- Any products containing chloride, fluoride, iodide, bromide will deteriorate surfaces rapidly.
- Any combustible products used for cleaning, such as acetone, alcohol, ether, benzol, etc. are highly explosive and should never be used close to a range.

## LIGHT BULB REPLACEMENT



**CAUTION: Bulbs may be hot. Refer to bulb packaging for further information.**

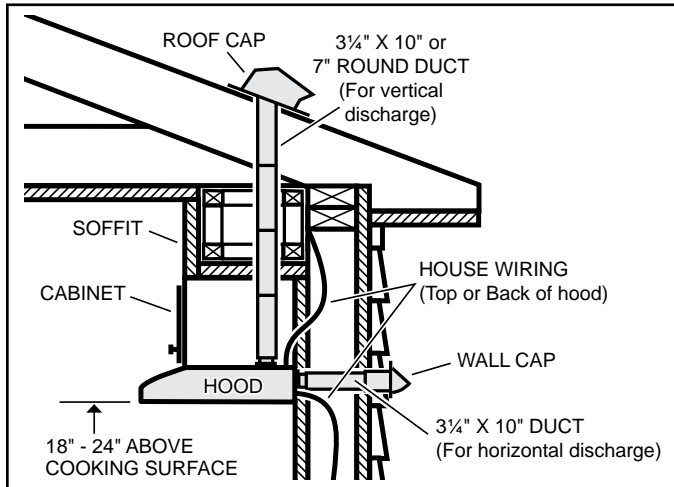
Use 120 V, 35 W, **Halogen Bulbs** - MR16 with GU10 base.

The **Suction Cup Tool** (included with hood) can be used to install and remove light bulbs. Press suction cup tool on to bulb and rotate counterclockwise to remove bulb or clockwise to install bulb.

Align pins on bulb with large diameter opening on socket, then push bulb in towards hood and rotate clockwise until firmly seated. The position of the bulb socket (depth) is adjustable and may require adjustment when:

- a) certain brands of bulbs are difficult to install.
  - b) the bulb protrudes too far below the light panel.
- See Step 24 for bracket adjustment detail.

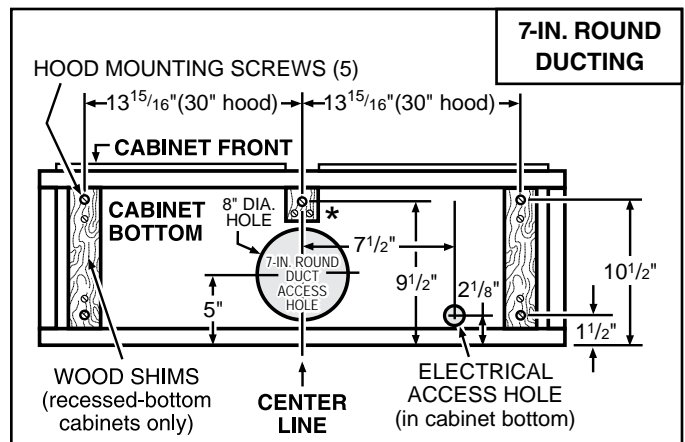
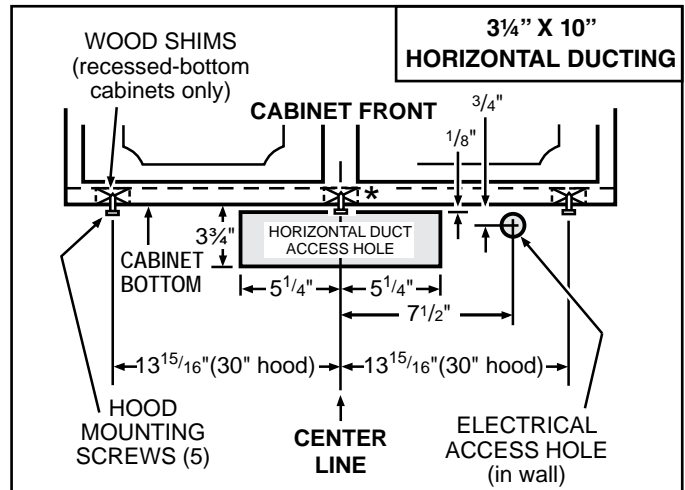
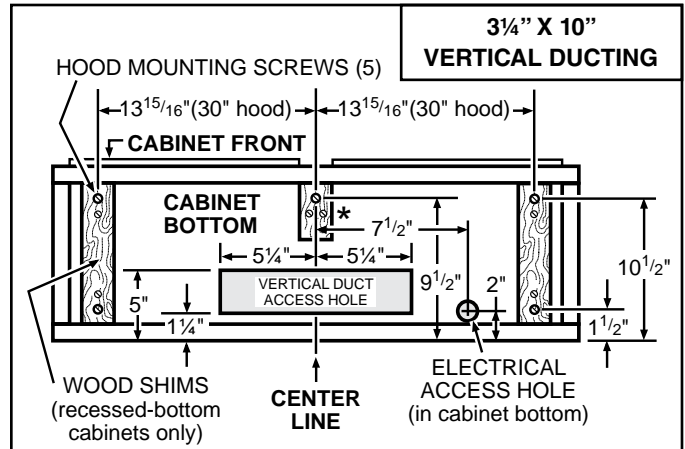
## INSTALL DUCTWORK (Ducted Hoods Only)



- 1 Determine whether hood will discharge vertically (3/4" x 10" or 7" Round), or horizontally (3/4" x 10" only).
- 2 Decide where the ductwork will run between the hood and the outside.
- 3 Choose a straight, short duct run to allow the hood to perform most efficiently. Long duct runs, elbows and transitions will reduce the performance of the hood. Use as few of them as possible. Larger ductwork may be required for best performance with longer duct runs.
- 4 Install wall cap or roof cap. Connect metal ductwork to cap and work back towards the hood location. Use duct tape to seal the joints between ductwork sections.

## PREPARE HOOD LOCATION

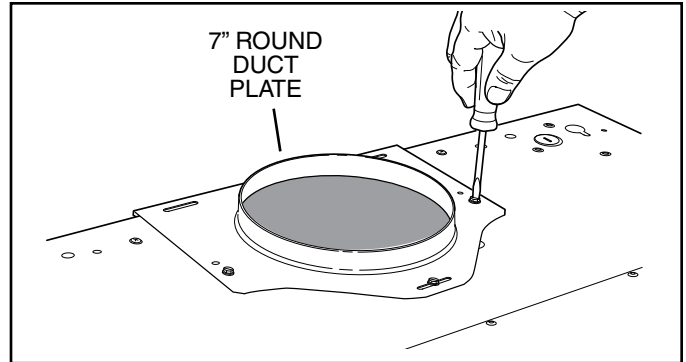
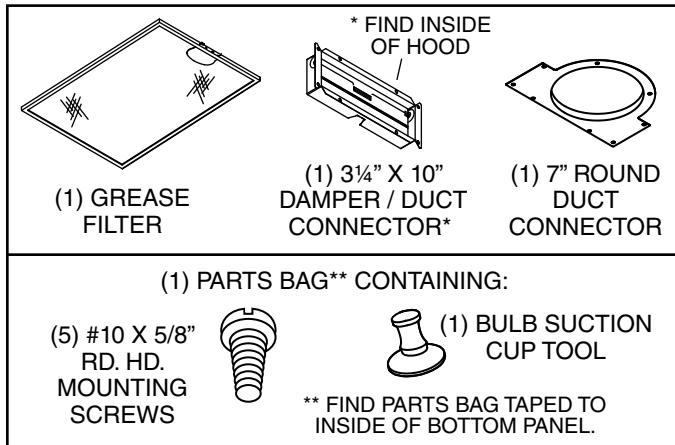
- 5 Use the proper diagram below for placement of ductwork and electrical cutout in cabinet or wall. For a non-ducted installation, DO NOT cut a duct access hole.



\* Note the extra wood shim and mounting screw near the cabinet front, on the cabinet center line.

- 6 Install 4 **Hood Mounting Screws** into shims/cabinet according to proper diagram above. Do not tighten completely. Do not install middle screw until Step 20.

## CONTENTS



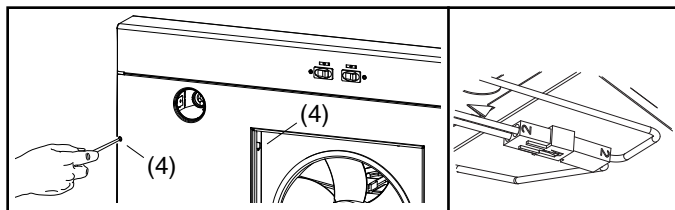
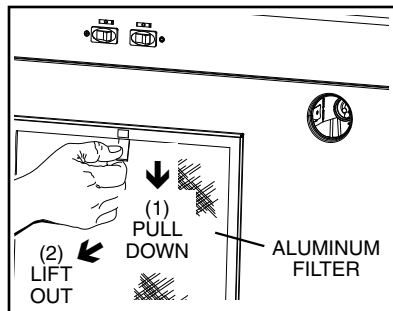
12 Remove **7" Round Duct Plate** from top/back of hood.

**FOR NON-DUCTED INSTALLATIONS - Skip to "INSTALL THE HOOD":**

## PREPARE THE HOOD

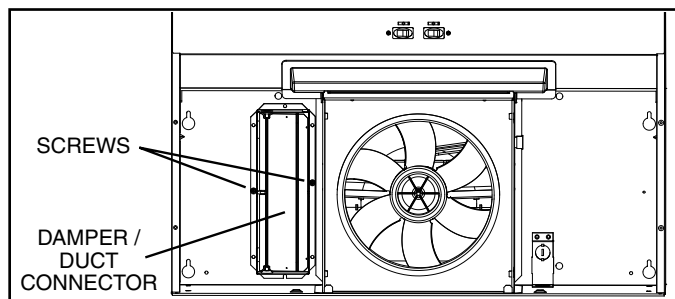
7 Remove all protective polyfilm from the hood (stainless steel hoods only).

8 Remove the **Aluminum Filter** from the hood by pulling the tab down and lifting filter out.

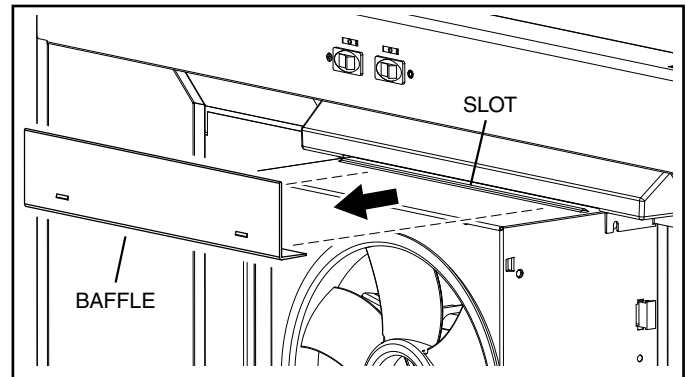


9 Remove 8 **Screws** holding **Bottom Pan** to hood. Disconnect **Light Harness**.

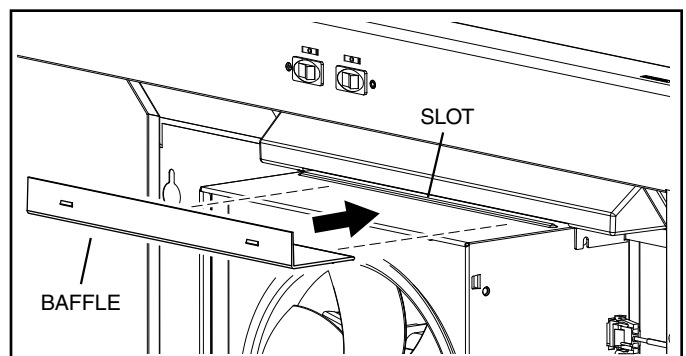
10 Remove parts bag included with the hood. (Parts bag is taped to inside of bottom pan.)



11 Remove 2 **Screws** holding **Damper / Duct Connector** to hood. Remove damper/duct connector from inside the hood.

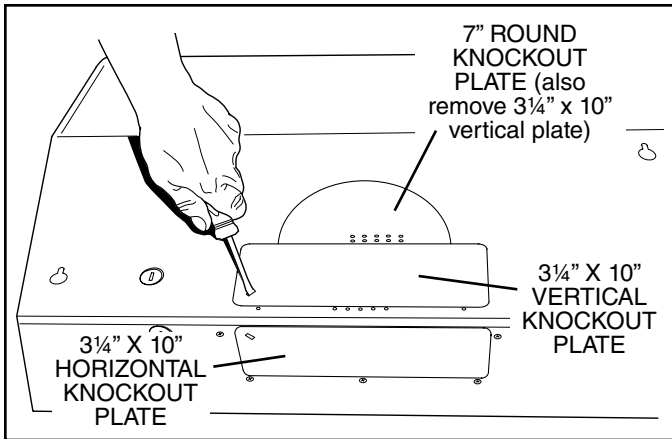


13 **DUCTED INSTALLATION ONLY:** Remove **Baffle** from **Slot** above air box.

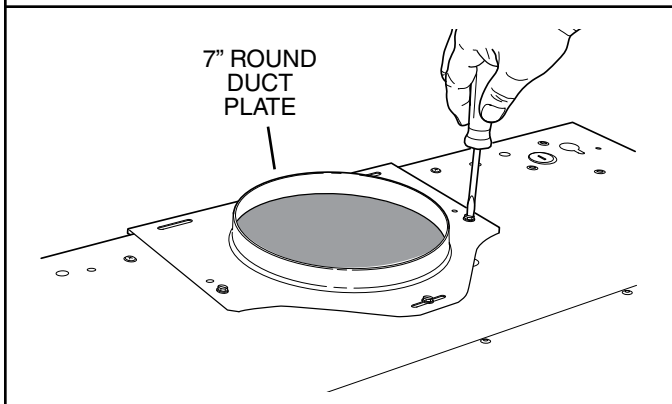
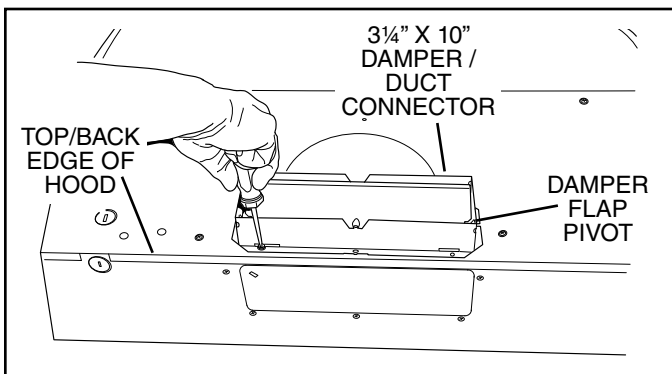


14 **DUCTED INSTALLATION ONLY:** Rotate **Baffle** and insert long side into **Slot** above air box. Baffle is inserted properly when you feel a positive stop.

15 **NON-DUCTED INSTALLATION ONLY:** Purchase a non-ducted filter (Model BPQTF) from your local distributor or retailer. Attach the non-ducted filter following instructions packed with the non-ducted filter.



- 16 DUCTED INSTALLATION ONLY:**  
Remove 3¼" x 10" vertical, 3¼" x 10" horizontal, or 7-inch round **knockout plate(s)** as appropriate for your ducting method.



- 17 DUCTED INSTALLATION ONLY:**  
Attach 3¼" x 10" **Damper/Duct Connector** (if using 3¼" x 10" duct) or **7" Round Duct Plate** (if using 7-inch round duct) over the knockout opening.

**Notes:**

To accommodate off-center ductwork, the 3¼" x 10" damper/duct connector can be installed up to ½" on either side of the hood center and the 7" round duct plate can be installed up to ½" on either side of the hood center.

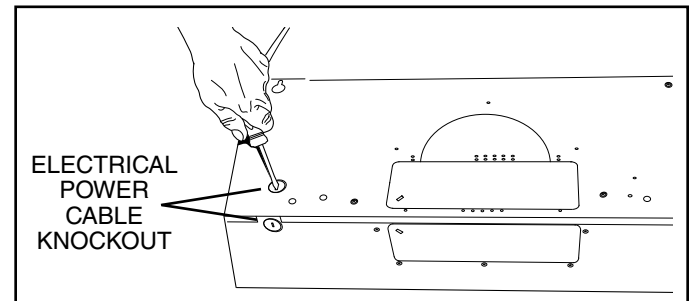
Install the 3¼" x 10" Damper/Duct Connector with the **Damper Flap Pivot** nearest the **Top/Back Edge of Hood**.

## INSTALL THE HOOD

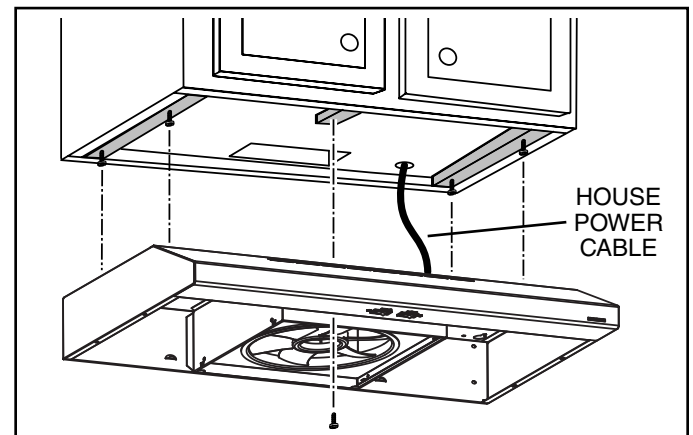


**WARNING**

To reduce the risk of electrical shock, switch power off at service panel. Lock or tag service panel to prevent power from being switched on accidentally.



- 18** Remove **Electrical Power Cable Knockout** from top or back of hood.

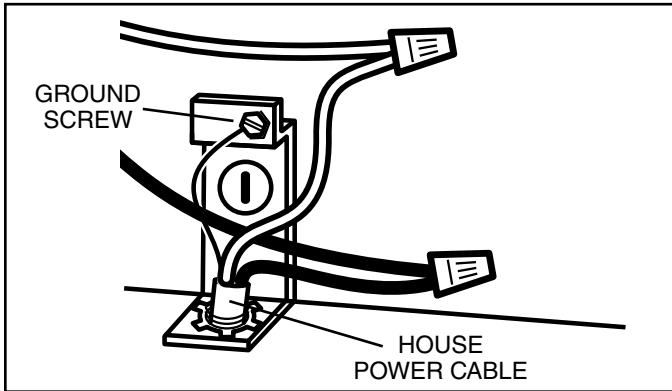


- 19** Run **House Power Cable** between service panel and hood location. Attach power cable to hood using appropriate clamp.

- 20** Hang hood from (4) mounting screws driven part-way into cabinet locations (shown in illustrations under "PREPARE HOOD LOCATION"). Mounting screws are included in parts bag. Slide hood back towards wall until mounting screw heads are engaged in narrow end of keyhole slots in top of hood. Tighten screws securely. Add 5th mounting screw in center hole in hood and tighten securely.

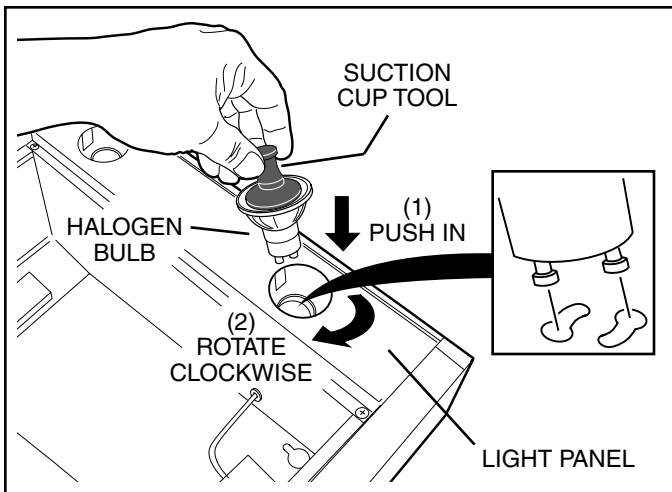
- 21 DUCTED INSTALLATION ONLY:**  
Connect ductwork to hood and use duct tape to make joints secure and air-tight. Make sure the damper / duct connector enters the ductwork and that the damper opens and closes freely.

## CONNECT THE WIRING



- 22** Connect **House Power Cable** to range hood wiring - BLACK to BLACK, WHITE to WHITE, and GREEN or BARE WIRE to **Ground Screw**. Replace electrical wiring box cover.
- 23** Re-connect lamp wire harness and re-attach bottom panel with (8) screws as shown in Step 10.

## INSTALL LIGHT BULBS



**CAUTION:** Bulbs may be hot. Always allow bulbs to cool before removing them.

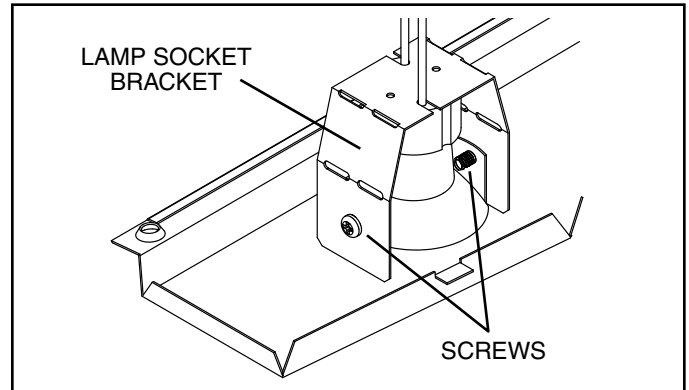
- 24** Install (2) **Halogen Bulbs**. Use 120 V, 35 W, shielded halogen bulbs - MR16 with GU10 base.

NOTE: **Suction Cup Tool** (included with hood) can be used to install and remove light bulbs.

Align pins on bulb with large diameter opening on socket, then push bulb in towards hood and rotate clockwise until firmly seated.

The position of the bulb socket (depth) is adjustable and may require adjustment when:

- certain brands of bulbs are difficult to install.
- the bulb protrudes too far below the light panel.

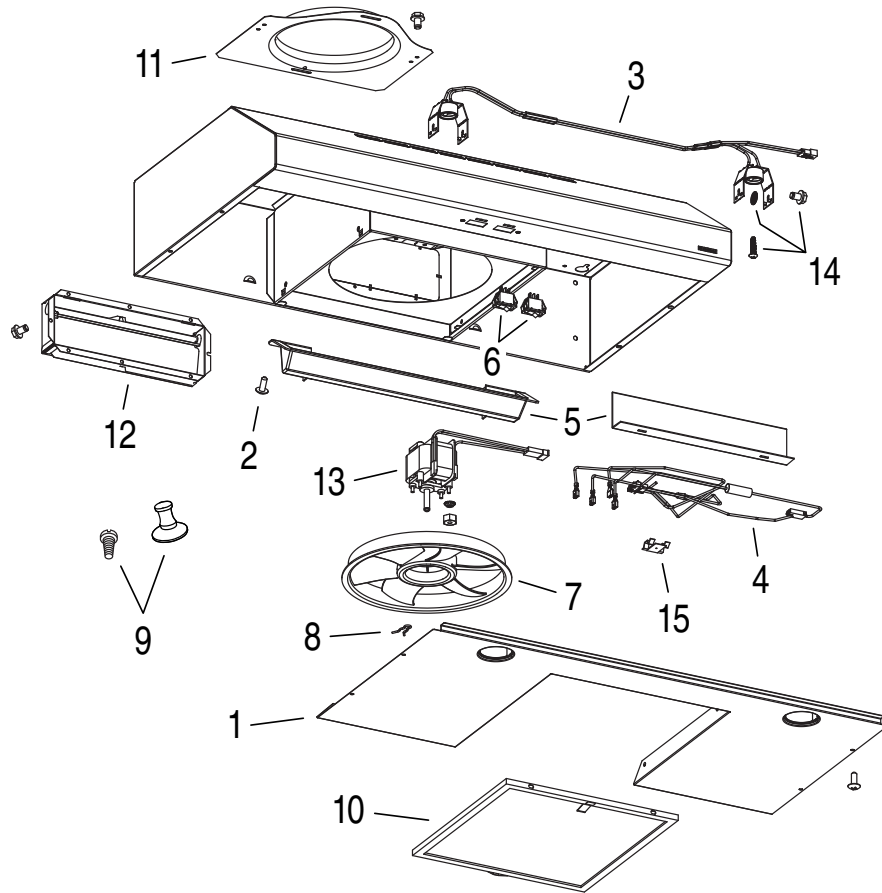


- To change the depth of bulb sockets:
- Remove bottom panel (See Step 10).
  - Disconnect light harness.
  - Loosen 2 **Screws** holding **Lamp Socket Bracket** to **Light Panel**.
  - Adjust socket/bracket to desired depth.
  - Re-tighten screws securely.
  - Re-attach light harness and replace bottom panel.

- 25** **DUCTED INSTALLATION ONLY:**  
Re-install aluminum filters removed in Step 9.

**NON-DUCTED INSTALLATION ONLY:**  
Install non-ducted filter - purchased and assembled in Step 15.

## SERVICE PARTS



KEY NO.	DESCRIPTION	PART NO.
1	BOTTOM PANEL ASSEMBLY, WHITE BOTTOM PANEL ASSEMBLY, BLACK BOTTOM PANEL ASSEMBLY, STAINLESS STEEL	97018651 97018652 97018653
2	SCREW PACKAGE #8-18 X 3/8 (2 SCREWS)	R602534
3	LAMP WIRE HARNESS	97018656
4	MOTOR WIRE HARNESS	97018659
5	AIR CHUTE	97018660
6	SWITCH, WHITE (2 REQUIRED) SWITCH, BLACK (2 REQUIRED)	97017300 97018658
7	FAN BLADE (INCLUDES HAIRPIN CLIP)	R531076
8	HAIRPIN CLIP	R99420635
9	PARTS BAG ASSEMBLY	97018623
10	FILTER, ALUMINUM	R610092
11	7" ROUND DUCT PLATE (INCLUDES MOUNTING HARDWARE)	R680508
12	3-1/4" X 10" DAMPER ASSEMBLY(INCLUDES MOUNTING HARDWARE)	R740014
13	MOTOR	99080666
14	HARDWARE BAG, LIGHT BRACKET	97018665
15	CABLE CLIP, WIRE HARNESS	99680044
*	BULB, 120V 35W MR16 GU10 BASE HALOGEN (2 REQUIRED)	99526798
*	NON-DUCTED FILTER	99010317

\* Not illustrated. Purchase separately.  
Order replacement parts by PART NO. - not by KEY NO.

## WARRANTY

### One Year Limited Warranty

Broan-NuTone warrants to the original consumer purchaser of its products that such products will be free from defects in materials or workmanship for a period of one (1) year from the date of original purchase. THERE ARE NO OTHER WARRANTIES, EXPRESS OR IMPLIED, INCLUDING, BUT NOT LIMITED TO, IMPLIED WARRANTIES OF MERCHANTABILITY OR FITNESS FOR A PARTICULAR PURPOSE.

During this one year period, Broan-NuTone will, at its option, repair or replace, without charge, any product or part which is found to be defective under normal use and service. THIS WARRANTY DOES NOT EXTEND TO FLUORESCENT LAMP STARTERS, TUBES, HALOGEN AND INCANDESCENT BULBS, FUSES, FILTERS, DUCTS, ROOF CAPS, WALL CAPS AND OTHER ACCESSORIES FOR DUCTING. This warranty does not cover (a) normal maintenance and service or (b) any products or parts which have been subject to misuse, negligence, accident, improper maintenance or repair (other than by Broan-NuTone), faulty installation or installation contrary to recommended installation instructions.

The duration of any implied warranty is limited to the one year period as specified for the express warranty. Some states do not allow limitation on how long an implied warranty lasts, so the above limitation may not apply to you.

BROAN-NUTONE'S OBLIGATION TO REPAIR OR REPLACE, AT BROAN-NUTONE'S OPTION, SHALL BE THE PURCHASER'S SOLE AND EXCLUSIVE REMEDY UNDER THIS WARRANTY. BROAN-NUTONE SHALL NOT BE LIABLE FOR INCIDENTAL, CONSEQUENTIAL OR SPECIAL DAMAGES ARISING OUT OF OR IN CONNECTION WITH PRODUCT USE OR PERFORMANCE. Some states do not allow the exclusion or limitation of incidental or consequential damages, so the above limitation or exclusion may not apply to you. This warranty gives you specific legal rights, and you may also have other rights, which vary from state to state. This warranty supersedes all prior warranties.

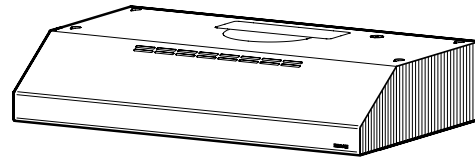
To qualify for warranty service, you must (a) notify Broan-NuTone at the address or telephone number below, (b) give the model number and part identification and (c) describe the nature of any defect in the product or part. At the time of requesting warranty service, you must present evidence of the original purchase date.

Broan-NuTone LLC, 926 W. State Street, Hartford, Wisconsin 53027    [www.broan.com](http://www.broan.com)    800-558-1711



## Campanas Serie QML

Registre su producto en el  
sitio web [www.broan.com](http://www.broan.com)



Página 9

# LEA Y CONSERVE ESTAS INSTRUCCIONES



## SOLAMENTE PARA COCINAR EN CASA



### ADVERTENCIA



**PARA REDUCIR EL RIESGO DE INCENDIO, DESCARGA ELÉCTRICA O LESIONES CORPORALES, OBSERVE LO SIGUIENTE:**

1. Use la unidad sólo de la manera indicada por el fabricante. Si tiene preguntas, comuníquese con el fabricante a la dirección o al número telefónico que se incluye en la garantía.
2. Antes de dar servicio a la unidad o de limpiarla, interrumpa el suministro eléctrico en el panel de servicio y bloquee los medios de desconexión del servicio para evitar que la electricidad se reanude accidentalmente. Cuando no sea posible bloquear los medios de desconexión del servicio, fije firmemente una señal de advertencia (como una etiqueta) en un lugar visible del panel de servicio.
3. Una o más personas calificadas deben realizar el trabajo de instalación y el cableado eléctrico siguiendo todos los códigos y normas correspondientes, incluidos los códigos y las normas de construcción específicos para incendios.
4. Se necesita suficiente aire para que se lleve a cabo una combustión y una extracción adecuadas de los gases a través del tubo de humos (chimenea) del equipo quemador de combustible, con el fin de evitar el contratiro. Siga las directrices y las normas de seguridad del fabricante del equipo de calefacción, como las publicadas por la Asociación Nacional de Protección contra Incendios (National Fire Protection Association, NFPA), y la Sociedad Americana de Ingenieros en Calefacción, Refrigeración y Aire Acondicionado (American Society of Heating, Refrigeration and Air Conditioning Engineers, ASHRAE), y las autoridades de los códigos locales.
5. Este producto podría tener bordes afilados. Trabaje con cuidado para evitar cortes y abrasiones durante la instalación y la limpieza.
6. Al cortar o perforar a través de la pared o del techo, tenga cuidado de no dañar el cableado eléctrico ni otros servicios ocultos.
7. Los ventiladores en conductos siempre deben ventearse hacia el exterior.
8. Utilice únicamente conductos metálicos.
9. No use este ventilador junto con ningún dispositivo de control de velocidad de estado sólido.
10. Como alternativa, se puede instalar este producto con el juego de cable de alimentación aprobado por UL y diseñado para el producto, siguiendo las instrucciones incluidas con el cable.
11. Esta unidad debe estar conectada a tierra.

**PARA REDUCIR EL RIESGO DE INCENDIO PROVOCADO POR GRASA PRESENTE EN LA ESTUFA:**

1. Nunca deje desatendidas las unidades de la superficie cuando estén en ajustes altos de calor. Los alimentos en ebullición provocan derrames grasosos y con humo que se pueden incendiar. Caliente el aceite lentamente en ajustes de calor bajo o medio.
2. Siempre ENCIENDA la campana cuando esté cocinando a altas temperaturas o flamee alimentos (por ejemplo crepas Suzette, cerezas Jubilee, bistec con pimienta flameado).
3. Limpie frecuentemente los ventiladores. No permita la acumulación de grasa en el ventilador ni en el filtro.
4. Use una cacerola del tamaño adecuado. Siempre use utensilios de cocina que sean apropiados para el tamaño del elemento de la superficie.

### ADVERTENCIA



**PARA REDUCIR EL RIESGO DE LESIONES A LAS PERSONAS EN CASO DE UN INCENDIO PRODUCIDO POR GRASA EN UNA ESTUFA, OBSERVE LO SIGUIENTE\*:**

1. APAGUE LAS LLAMAS con una tapa de ajuste exacto, una charola para galletas o una bandeja de metal, y después apague el quemador. PROCEDA CON CUIDADO PARA EVITAR QUEMADURAS. Si las llamas no se apagan inmediatamente, EVACUE EL ÁREA Y LLAME A LOS BOMBEROS.
2. NUNCA LEVANTE UNA CACEROLA INCENDIADA porque podría sufrir quemaduras o propagar el incendio.
3. NO USE AGUA, incluidos trapos o toallas de cocina mojados; puede producirse una explosión violenta de vapor.
4. Use un extintor SÓLO si:
  - A. Sabe que tiene un extintor clase ABC, y ya sabe cómo usarlo.
  - B. El incendio es pequeño y está confinado al área en la que se inició.
  - C. Se está llamando al Departamento de Bomberos.
  - D. Puede combatir el incendio teniendo la espalda orientada hacia una salida.

\*Basado en "Consejos útiles de seguridad en incendios en la cocina" ("Kitchen Fire Safety Tips"), publicado por NFPA.

### PRECAUCIÓN



1. Sólo debe usarse bajo techo.
2. Sólo para usarse como medio de ventilación general. No debe usarse para la extracción de materiales o vapores peligrosos o explosivos.
3. Para evitar daños a los cojinetes del motor y rotores ruidosos o desbalanceados, mantenga la unidad eléctrica al resguardo de rociados de yeso, polvo de construcción, etc.
4. No use equipo para cocinar mayor de 60,000 BTU/hr.
5. Este motor de campana tiene una protección contra sobrecargas térmicas que automáticamente apagará el motor en caso de sobrecalentamiento. El motor reanudará su funcionamiento cuando se enfríe. Si el motor continúa apagándose y encendiéndose, solicite servicio para la campana.
6. La parte inferior de la campana NO DEBE ESTAR A MENOS de 18 pulg. (45.7 cm) y a un máximo de 24 pulg. (61 cm) por arriba de la estufa, para captar mejor las impurezas que surgen al cocinar.
7. Lea la etiqueta de especificaciones que tiene el producto para ver información y requisitos adicionales.

#### NOTA

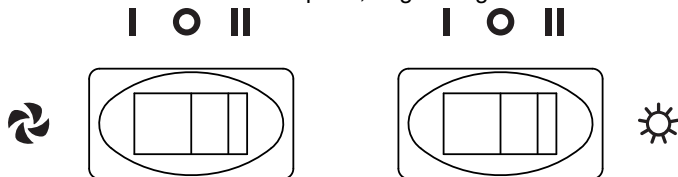
Si la campana se va a instalar en un sistema sin conductos: Compre un filtro sin conductos (Modelo BPQTF) con su distribuidor o tienda minorista local.

**Aviso al instalador: Deje este manual con el dueño de la casa. Aviso al dueño de la casa: En la página 10 encontrará las instrucciones de limpieza, mantenimiento y funcionamiento.**

## FUNCIONAMIENTO

ENCIENDA siempre la campana antes de comenzar a cocinar, con el fin de establecer un flujo de aire en la cocina. Después de apagar la estufa, deje que la campana funcione durante unos cuantos minutos para despejar el aire.

Para hacer funcionar la campana, haga lo siguiente:



### INTERRUPTOR DEL VENTILADOR

- I Enciende el ventilador en velocidad BAJA.
- O APAGA el ventilador.
- II Enciende el ventilador en velocidad ALTA.

### INTERRUPTOR DE LA LUZ

- I Enciende la luz en intensidad BAJA.
- O APAGA la luz.
- II Enciende la luz en intensidad ALTA.

## LIMPIEZA Y MANTENIMIENTO

El mantenimiento correcto de la campana de la estufa asegurará el funcionamiento adecuado de la unidad.

### Motor

El motor está permanentemente lubricado y nunca necesitará ponerle aceite. Si los cojinetes del motor están haciendo ruido excesivo o inusual, reemplace el motor con el motor de servicio exacto. También debe reemplazar el impulsor.

### Filtro de grasa

El filtro de grasa se debe limpiar con frecuencia. Utilice una solución tibia de detergente para platos. El filtro de grasa se puede lavar en lavaplatos. Limpie los filtros completamente metálicos en la lavaplatos con un detergente sin fosfatos. El filtro se puede decolorar si se utilizan detergentes con fosfato o como resultado de la condición del agua local, pero esto no afectará el desempeño del filtro. Esta decoloración no está cubierta por la garantía.

Consulte la sección "INSTALACIÓN DE LOS FILTROS" para ver las instrucciones de instalación y desmontaje.

### Filtro de recirculación para sistemas sin conductos

El filtro de recirculación para sistemas sin conductos se debe cambiar cada 6 meses. Cámbielo con más frecuencia si su estilo de cocinar genera más grasa, como freír los alimentos o cocinar en un wok. Consulte las instrucciones para quitar e instalar en el paso 15 de la página 18.

### Limpieza del acero inoxidable

#### COSAS QUE PUEDE HACER:

- Regularmente, lave con una tela o trapo limpio remojado con agua tibia y jabón o detergente líquido para platos.
- Siempre limpie en la dirección de las líneas originales de pulido.
- Siempre enjuague bien con agua limpia (2 o 3 veces) después de la limpieza. Deje totalmente seco.
- También puede usar un limpiador casero especializado para acero inoxidable.

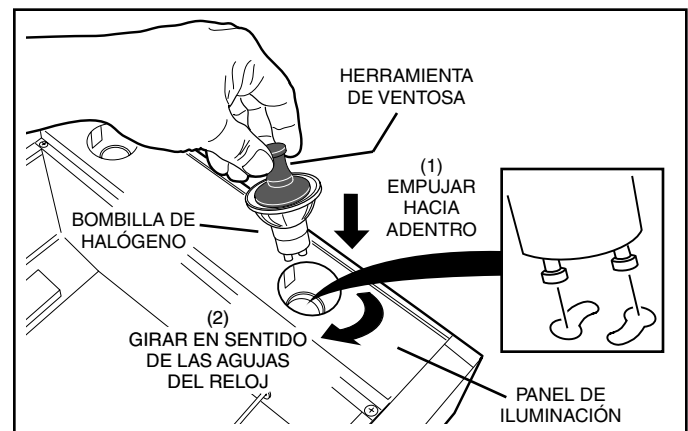
#### COSAS QUE NO DEBE HACER:

- Usar lana de acero o acero inoxidable ni algún otro tipo de raspador para quitar mugre difícil de sacar.
- Usar limpiadores fuertes ni abrasivos.
- Dejar que se acumule la mugre.
- Dejar que el polvo forme plastas ni que quede en la campana algún otro residuo de la construcción. Durante la construcción o la renovación, cubra la campana para estar seguro de que el polvo no se pegue a la superficie de acero inoxidable.

#### Evite: Al elegir un detergente

- Todo limpiador que contenga blanqueador, pues atacará al acero inoxidable.
- Productos que contengan cloruro, fluoruro, yoduro, bromuro, pues deteriorarán las superficies rápidamente.
- Todo producto combustible utilizado para la limpieza, como acetona, alcohol, éter, bencol, etc., pues son altamente explosivos y nunca se deben usar cerca de una estufa.

## REEMPLAZO DE LAS BOMBILLAS



**PRECAUCIÓN:** Las bombillas podrían estar calientes. Consulte la información adicional en los paquetes de las bombillas.

Utilice **bombillas de halógeno** de 120 V, 35 W (MR16 con base GU10).

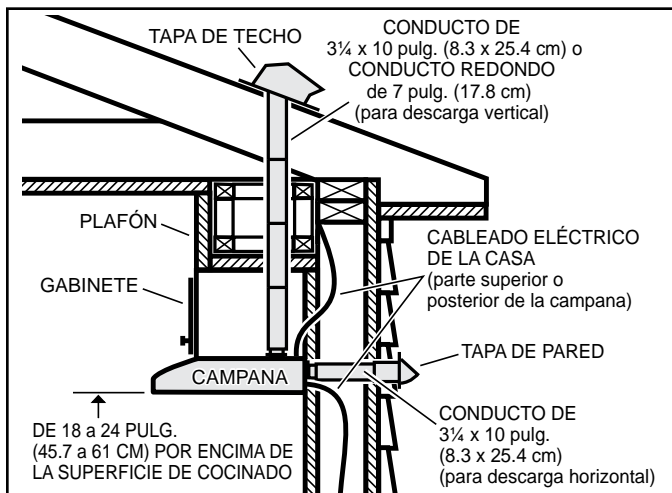
La **herramienta de ventosa** (incluida con la campana) sirve para instalar y quitar bombillas. Prensa herramienta de ventosa a la bombilla y girar a la izquierda para quitar la bombilla o hacia la derecha para instalar la bombilla.

Alinee las clavijas de la bombilla con la abertura de diámetro grande en el receptáculo, empuje la bombilla hacia la campana y luego gire hacia la derecha hasta que esté firmemente asentada.

La posición del receptáculo de la bombilla (profundidad) es ajustable, y podría necesitar ajuste cuando:

- a) Ciertas marcas de bombillas sean difíciles de instalar.
  - b) La bombilla sobresalga demasiado por debajo del panel de la bombilla.
- Vea el paso 24 para el detalle soporte de ajuste.

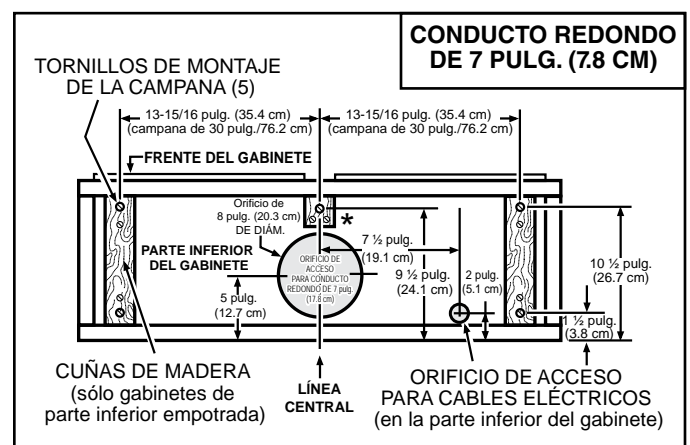
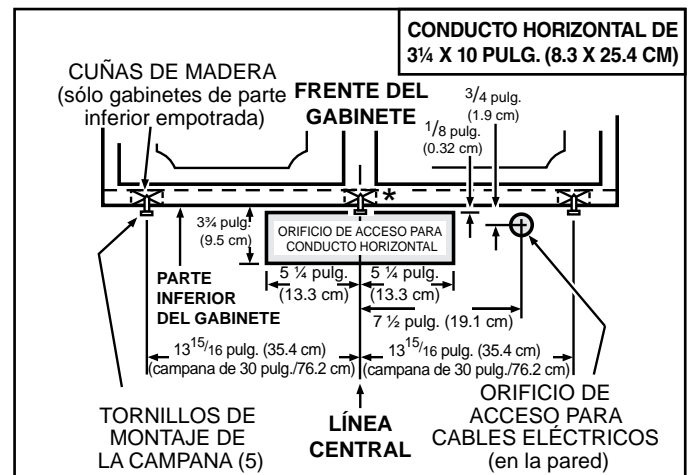
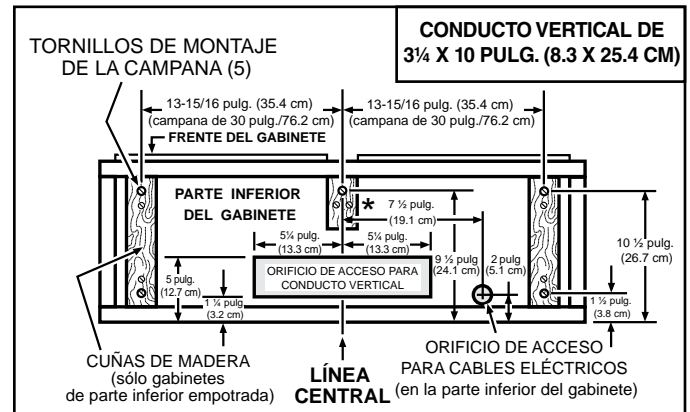
## INSTALE EL SISTEMA DE CONDUCTOS (Sólo campanas para sistemas con conductos)



- 1 Determine si la descarga de la campana va a ser vertical (conducto de 3 1/4 x 10 pulg. [8.3 x 25.4 cm] o redondo de 7 pulg. [17.8 cm]) u horizontal (sólo conducto de 3 1/4 x 10 pulg. [8.3 x 25.4 cm]).
- 2 Decida dónde instalará el conducto entre la campana y el exterior.
- 3 Elija un conducto recto y corto para permitir que la campana funcione más eficientemente. Los tramos largos de conductos, codos y transiciones reducirán el desempeño de la campana. Use tan pocos de ellos como sea posible. Es posible que se requieran conductos más grandes para un mejor funcionamiento con tramos más largos de conductos.
- 4 Instale la tapa para pared o para techo. Conecte un conducto metálico en la tapa y trabaje hacia atrás, hacia la ubicación de la campana. Use cinta para conductos para sellar las uniones entre las secciones de conductos.

## PREPARE EL LUGAR DONDE SE VA A INSTALAR LA CAMPANA

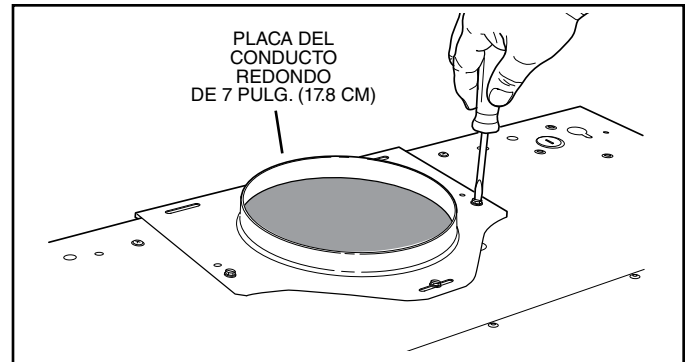
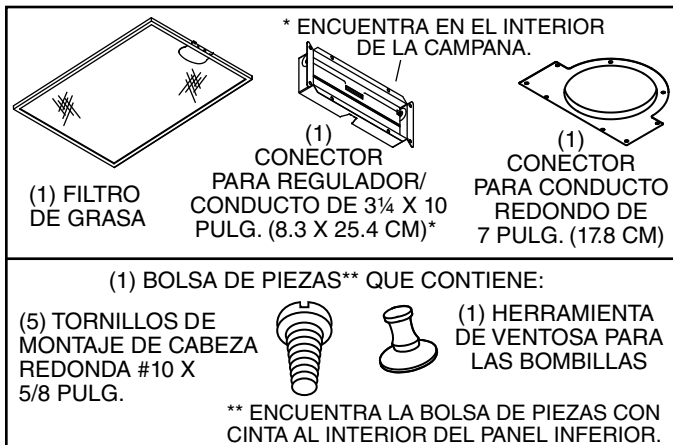
- 5 Guíese por el diagrama correspondiente (a continuación) para colocar los conductos y hacer el corte exacto para la conexión eléctrica en el gabinete o en la pared. Para instalaciones en sistemas sin conductos, NO haga ningún orificio de acceso para conducto.



\* Observe la cuña de madera adicional y el tornillo de montaje cerca del frente del gabinete, sobre la línea central del gabinete.

- 6 Instale 4 **tornillos de montaje de la campana** en las calzas/gabinete, de acuerdo con el diagrama correspondiente. No apriete totalmente. No instale el tornillo de en medio hasta el paso 20.

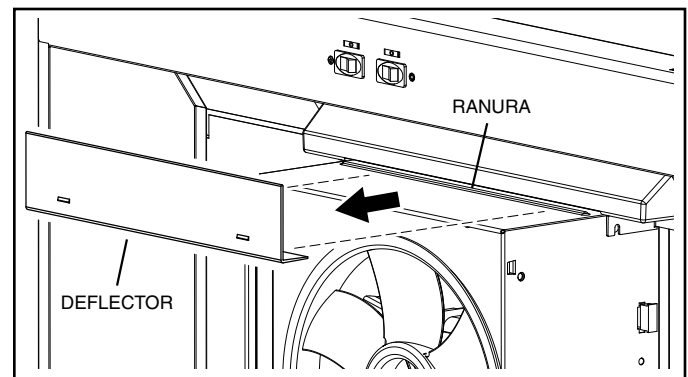
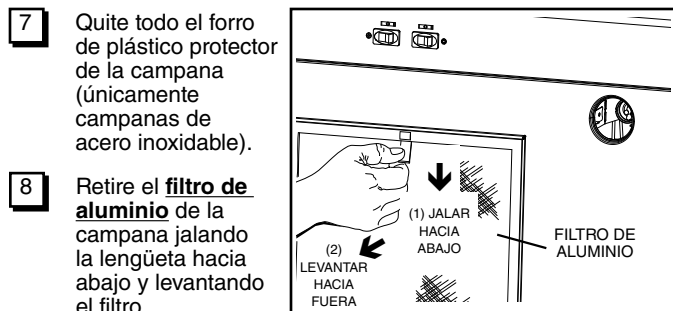
## CONTENIDO



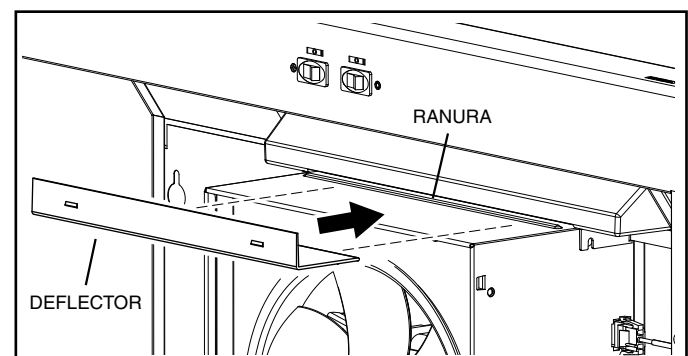
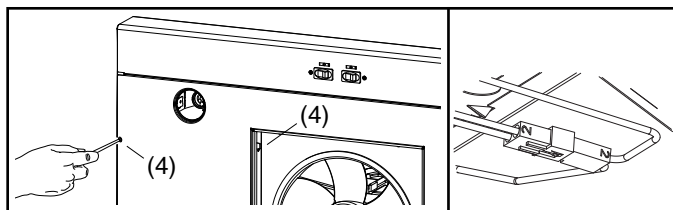
- 12 Retire la **placa del conducto redondo de 7 pulg. (17.8 cm)** de la parte superior/trasera de la campana.

**PARA INSTALACIONES SIN CONDUCTOS: pase directamente al paso "INSTALE LA CAMPANA".**

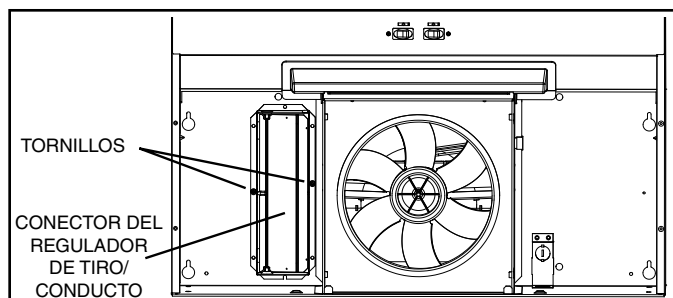
## PREPARE LA CAMPANA



- 13 **ÚNICAMENTE EN INSTALACIONES CON CONDUCTOS:** Retire el **deflector** de la **ranura** arriba de la caja de aire.



- 14 **ÚNICAMENTE EN INSTALACIONES CON CONDUCTOS:** Gire el **deflector** e inserte el lado largo en la **ranura** arriba de la caja de aire. El deflector se inserta adecuadamente cuando siente un tope positivo.



- 15 **ÚNICAMENTE EN INSTALACIONES SIN CONDUCTOS:** Compre un filtro sin conductos (Modelo BPQTF) con su distribuidor o tienda minorista local. Conecte el filtro sin conductos siguiendo las instrucciones incluidas con el filtro.

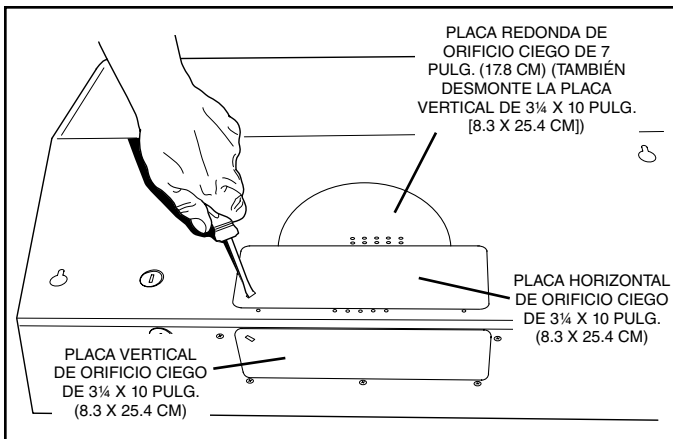
- 11 Quite los 2 **tornillos** que sujetan el **conector del regulador de tiro/conducto** a la campana. Quite el conector del regulador de tiro/conducto del interior de la campana.

## INSTALE LA CAMPANA

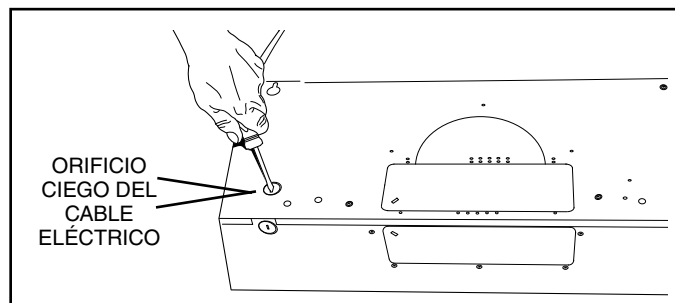


### ADVERTENCIA

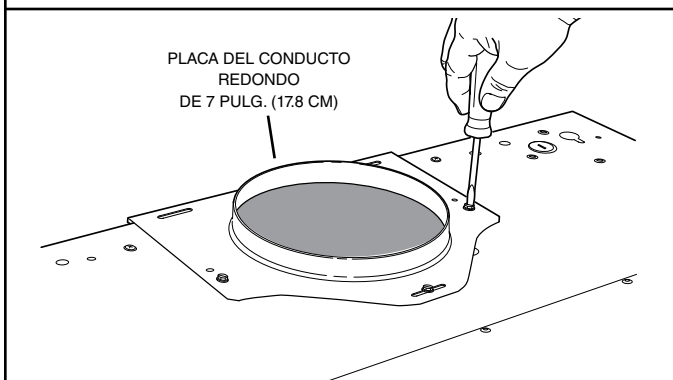
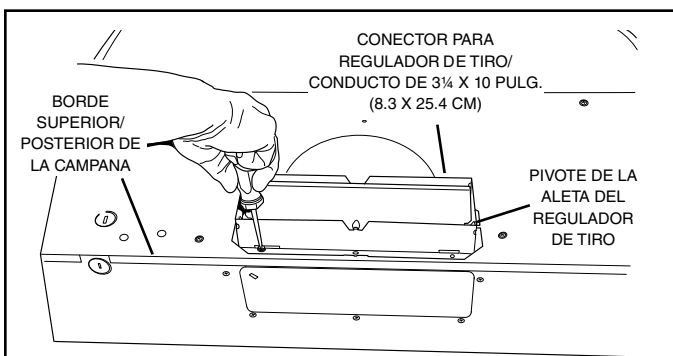
Para reducir el riesgo de una descarga eléctrica, desconecte el suministro eléctrico en el panel de servicio. Bloquee el panel de servicio o póngale una etiqueta de seguridad para evitar que alguien conecte accidentalmente la energía eléctrica.



- 16 ÚNICAMENTE EN INSTALACIONES CON CONDUCTOS:** Retire las **placas de orificio ciego** vertical de 3/4 x 10 pulg. (8.3 x 25.4 cm), horizontal de 3/4 x 10 pulg. (8.3 x 25.4 cm), o redonda de 7 pulg. (17.8 cm), según corresponda a su método de conductos.



- 18** Quite el **orificio ciego del cableado eléctrico** desde la parte superior o trasera de la campana.

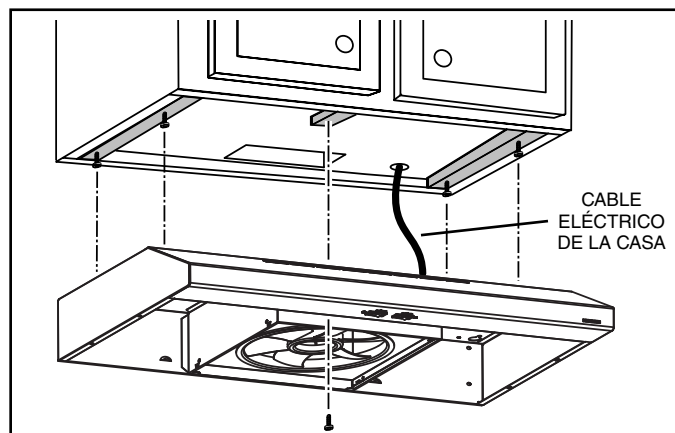


- 17 ÚNICAMENTE EN INSTALACIONES CON CONDUCTOS:** Acople el **conector del regulador de tiro/conducto de 3/4 pulg. x 10 pulg. (8.3 x 25.4 cm)** (si está usando el conducto de 3/4 pulg. x 10 pulg. [8.3 x 25.4 cm]) o la **placa redonda de 7 pulg. (17.8 cm)** (si está usando el conducto redondo de 7 pulg. [17.8 cm]) por la abertura del orificio ciego.

### Notas:

Para acomodar los conductos descentrados: el conector del regulador de tiro/conducto de 3/4 x 10 pulg. (8.3 x 25.4 cm) puede instalarse a una distancia hasta de 1/2 pulg. (1.27 cm) desde el centro de la campana hacia cualquier lado, y la placa del conducto redondo de 7 pulg. (17.8 cm) puede instalarse a 1/2 pulg. (1.27 cm) desde el centro de la campana hacia cualquier lado.

Instale el conector del regulador de tiro/conducto de 3/4 x 10 pulg. (8.3 x 25.4 cm) con el **pivote de aleta del regulador** más cercano al **borde superior/trasero de la campana**.

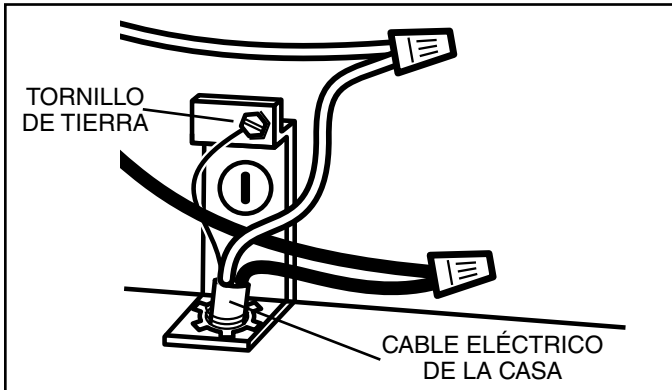


- 19** Tienda el **cable eléctrico de la casa** entre el panel de servicio y la campana. Conecte el cable eléctrico a la campana con la abrazadera apropiada.

- 20** Cuelgue la campana de los (4) orificios de montaje insertados parcialmente en las posiciones del gabinete (mostrado en las ilustraciones de "PREPARE EL LUGAR DONDE SE VA A INSTALAR LA CAMPANA"). La bolsa de piezas contiene los tornillos de montaje. Deslice la campana hacia la pared hasta que las cabezas de los tornillos de montaje queden conectadas en el extremo angosto de los orificios tipo bocallave que están en la parte superior de la campana. Apriete bien los tornillos. Agregue el quinto tornillo de montaje en el orificio central de la campana y apriete con firmeza.

- 21 ÚNICAMENTE EN INSTALACIONES CON CONDUCTOS:** Conecte el sistema de conductos a la campana y ponga cinta para conductos en las uniones para fijarlas y sellarlas. Asegúrese de que el conector del regulador de tiro/conducto entre a los conductos y que el regulador de tiro pueda abrirse y cerrarse libremente.

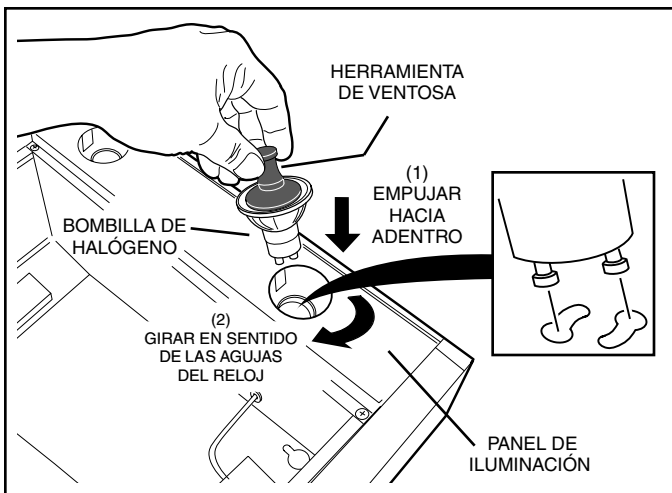
## CONECTE EL CABLEADO



**22** Conecte el **cable eléctrico de la casa** al cableado de la campana: cable NEGRO con NEGRO, BLANCO con BLANCO y VERDE o SIN FORRO al **tornillo de tierra**. Vuelva a colocar la cubierta de la caja de cableado eléctrico.

**23** Reconecte el arnés de cables de la lámpara y vuelva a conectar el panel inferior con ocho (8) tornillos, como se muestra en el paso 10.

## INSTALE LAS BOMBILLAS



**PRECAUCIÓN:** Las bombillas podrían estar calientes. Siempre permita que se enfríen las bombillas antes de cambiarlas.

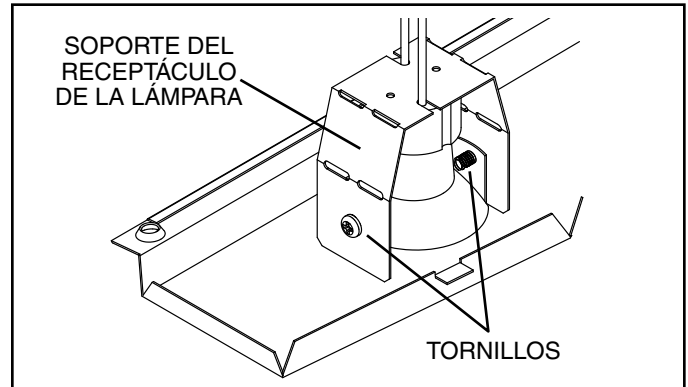
**24** Instale las (2) **bombillas de halógeno**. Utilice bombillas de halógeno con escudo protector de 120 V, 35 W (MR16 con base GU10).

NOTA: La **herramienta de ventosa** (incluida con la campana) sirve para instalar y quitar bombillas.

Alinee las clavijas de la bombilla con la abertura de diámetro grande en el receptáculo, empuje la bombilla hacia la campana y luego gire hacia la derecha hasta que esté firmemente asentada.

La posición del receptáculo de la bombilla (profundidad) es ajustable, y podría necesitar ajuste cuando:

- Ciertas marcas de bombillas sean difíciles de instalar.
- La bombilla sobresalga demasiado por debajo del panel de la bombilla.



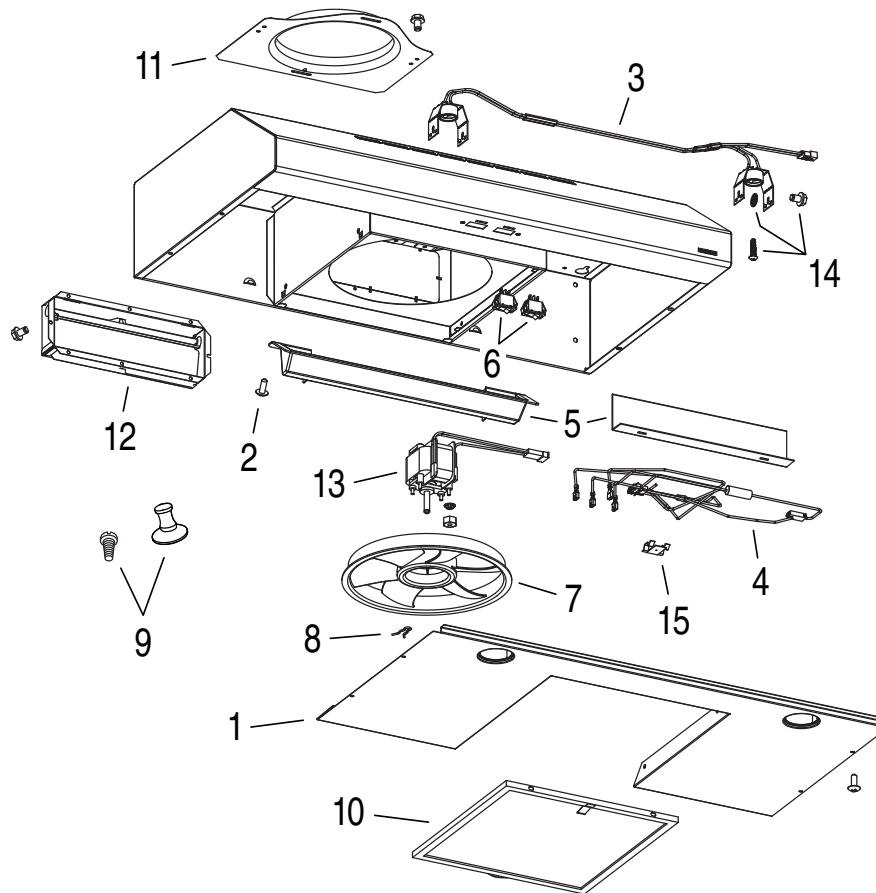
Para cambiar la profundidad de los receptáculos de las bombillas:

- Quite el panel inferior (vea el paso 10).
- Desconecte el arnés de las luces.
- Afloje los 2 **tornillos** que sostienen el **soporte del receptáculo de la lámpara al panel de iluminación**.
- Ajuste el receptáculo/soporte a la profundidad deseada.
- Vuelva a apretar los tornillos con firmeza.
- Vuelva a colocar el arnés de las luces y el panel inferior.

**25** **ÚNICAMENTE EN INSTALACIONES CON CONDUCTOS:** Instale de nuevo el filtro de aluminio que quitó en el paso 9.

**ÚNICAMENTE EN INSTALACIONES SIN CONDUCTOS:** Instale el filtro sin conducto (comprados, e instalados en el paso 15).

## PIEZAS DE SERVICIO



CLAVE N.º	DESCRIPCIÓN	PIEZA N.º
1	CONJUNTO DE PANEL INFERIOR, BLANCO	97018651
	CONJUNTO DE PANEL INFERIOR, NEGRO	97018652
	CONJUNTO DE PANEL INFERIOR, ACERO INOXIDABLE	97018653
2	PAQUETE DE TORNILLOS #8-18 x 3/8 (2 TORNILLOS)	R602534
3	ARNÉS DE CABLES DE LA LÁMPARA	97018656
4	ARNÉS DE CABLES DEL MOTOR	97018659
5	CONDUCTO PARA AIRE	97018660
6	INTERRUPTOR, BLANCO (SE REQUIEREN 2)	97017300
	INTERRUPTOR, NEGRO (SE REQUIEREN 2)	97018658
7	ASPA DEL VENTILADOR (INCLUYE PASADOR DE HORQUILLA)	R531076
8	PASADOR DE HORQUILLA	R99420635
9	CONJUNTO DE LA BOLSA DE PIEZAS	97018623
10	FILTRO DE ALUMINIO	R610092
11	PLACA REDONDA DE 7 PULG. (17.8 CM) (INCLUYE PIEZAS DE MONTAJE)	R680508
12	CONJUNTO DEL REGULADOR DE TIRO DE TIRO DE 3¼ X 10 PULG. (8.3 x 25.4 CM) (INCLUYE PIEZAS DE MONTAJE)	R740014
13	MOTOR	99080666
14	BOLSA DE PIEZAS, SOPORTE DE LUCES	97018665
15	SUJETADOR DE CABLES, ARNÉS DE CABLES	99680044
*	BOMBILLA DE HALÓGENO, 120 V, 35 W, MR 16, BASE GU10 (SE REQUIEREN 2)	99526798
*	FILTRO SIN CONDUCTO	99010317

\* No se ilustra. Se compra por separado.

Al pedir piezas de repuesto, indique el N.º DE PIEZA, no el N.º DE CLAVE

## **GARANTÍA**

### Garantía limitada por un año

Broan-NuTone garantiza al consumidor comprador original de sus productos que tales productos estarán libres de defectos en materiales o mano de obra durante un período de un (1) año a partir de la fecha de la compra original. NO EXISTEN OTRAS GARANTÍAS, EXPLÍCITAS O IMPLÍCITAS, INCLUYENDO, ENTRE OTRAS, GARANTÍAS IMPLÍCITAS DE COMERCIALIZACIÓN O APTITUD PARA UN PROPÓSITO PARTICULAR.

Durante este período de un año, Broan-NuTone, a su criterio, reparará o reemplazará sin cargo alguno cualquier pieza o producto que se encuentre defectuoso bajo condiciones normales de uso y servicio. LA PRESENTE GARANTÍA NO CUBRE TUBOS O ARRANCADORES DE LÁMPARAS FLUORESCENTES, BOMBILLAS HALÓGENAS E INCANDESCENTES, FUSIBLES, FILTROS, CONDUCTOS, TAPAS DE TECHO O DE PARED Y DEMÁS ACCESORIOS DE CANALIZACIÓN. Esta garantía no cubre (a) mantenimiento y servicio normales, ni (b) ningún producto o piezas que se hayan sometido a uso inadecuado, negligencia, accidente, mantenimiento o reparación inadecuada (no hecha por Broan-NuTone), instalación incorrecta o instalación en contra de las instrucciones de instalación recomendadas.

La duración de cualquier garantía implícita se limita al período de un año, como se especifica para la garantía expresa. Algunos estados no permiten limitaciones en cuanto al tiempo de vencimiento de una garantía implícita, por lo que la limitación antes mencionada podría no aplicarse a usted.

LA OBLIGACIÓN DE BROAN-NUTONE DE REPARAR O REEMPLAZAR, A CRITERIO DE BROAN-NUTONE, SERÁ EL ÚNICO Y EXCLUSIVO RECURSO DEL COMPRADOR BAJO ESTA GARANTÍA. BROAN-NUTONE NO SERÁ RESPONSABLE POR DAÑOS INCIDENTALES, RESULTANTES O ESPECIALES QUE SURJAN DEL USO O DESEMPEÑO DEL PRODUCTO O EN RELACIÓN CON EL MISMO. Algunos estados no permiten la exclusión o limitación de daños incidentales o resultantes, por lo que la limitación antes mencionada podría no aplicarse a usted. Esta garantía le otorga derechos legales específicos, y usted podría tener otros derechos que varían de un estado a otro. Esta garantía sustituye todas las garantías anteriores.

Para tener derecho al servicio de la garantía, usted debe (a) notificar a Broan NuTone a la dirección y número de teléfono que aparecen abajo, (b) proporcionar el número de modelo y la identificación de la pieza y (c) describir la naturaleza de cualquier defecto en el producto o pieza. En el momento de solicitar el servicio cubierto por la garantía, debe presentar un comprobante de la fecha original de compra.

Broan-NuTone LLC, 926 W. State Street, Hartford, Wisconsin 53027 [www.broan.com](http://www.broan.com) 800-558-1711