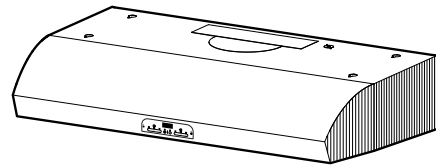


EVOLUTION™ 4 QP4 Series Range Hoods



READ AND SAVE THESE INSTRUCTIONS

FOR DOMESTIC COOKING ONLY

WARNING

TO REDUCE THE RISK OF FIRE, ELECTRIC SHOCK, OR INJURY TO PERSONS, OBSERVE THE FOLLOWING:

1. Use this unit only in the manner intended by the manufacturer. If you have questions, contact the manufacturer at the address or telephone number listed in the warranty.
2. Before servicing or cleaning unit, switch power off at service panel and lock the service disconnecting means to prevent power from being switched on accidentally. When the service disconnecting means cannot be locked, securely fasten a prominent warning device, such as a tag, to the service panel.
3. Installation work and electrical wiring must be done by a qualified person(s) in accordance with all applicable codes and standards, including fire-rated construction.
4. Sufficient air is needed for proper combustion and exhausting of gases through the flue (chimney) of fuel burning equipment to prevent backdrafting. Follow the heating equipment manufacturer's guideline and safety standards such as those published by the National Fire Protection Association (NFPA), and the American Society of Heating, Refrigeration and Air Conditioning Engineers (ASHRAE), and the local code authorities.
5. This product may have sharp edges. Be careful to avoid cuts and abrasions during installation and cleaning.
6. When cutting or drilling into wall or ceiling, do not damage electrical wiring and other hidden utilities.
7. Ducted fans must always be vented to the outdoors.
8. Use only metal ductwork.
9. Do not use this fan with any solid-state speed control device.
10. As an alternative, this product may be installed with the UL-approved cord kit designated for the product, following instructions packed with the cord kit.
11. This unit must be grounded.

TO REDUCE THE RISK OF A RANGE TOP GREASE FIRE:

1. Never leave surface units unattended at high settings. Boilovers cause smoking and greasy spillovers that may ignite. Heat oils slowly on low or medium settings.
2. Always turn hood ON when cooking at high heat or when flambéing food (i.e. Crepes Suzette, Cherries Jubilee, Peppercorn Beef Flambé).
3. Clean ventilating fans frequently. Grease should not be allowed to accumulate on fan or filter.
4. Use proper pan size. Always use cookware appropriate for the size of the surface element.

TO REDUCE THE RISK OF INJURY TO PERSONS IN THE EVENT OF A RANGE TOP GREASE FIRE, OBSERVE THE FOLLOWING:*

1. SMOTHER FLAMES with a close-fitting lid, cookie sheet, or metal tray, then turn off the burner. BE CAREFUL TO PREVENT BURNS. If the flames do not go out immediately, EVACUATE AND CALL THE FIRE DEPARTMENT.

WARNING

2. NEVER PICK UP A FLAMING PAN — You may be burned or spread the fire.
 3. DO NOT USE WATER, including wet dishcloths or towels - a violent steam explosion will result.
 4. Use an extinguisher ONLY if:
 - A. You know you have a Class ABC extinguisher, and you already know how to operate it.
 - B. The fire is small and contained in the area where it started.
 - C. The fire department is being called.
 - D. You can fight the fire with your back to an exit.
- * Based on "Kitchen Firesafety Tips" published by NFPA.

CAUTION

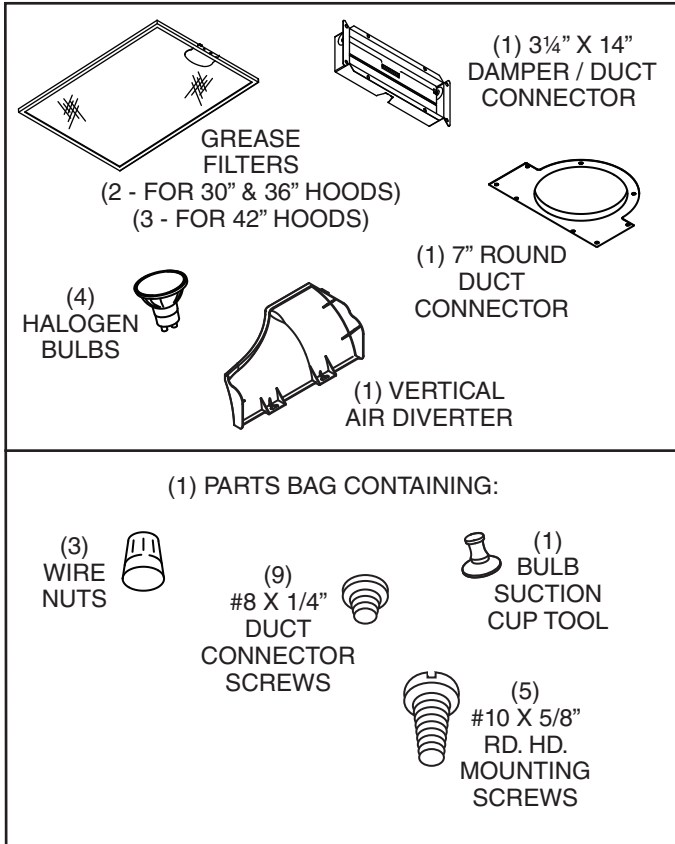
1. For indoor use only.
2. For general ventilating use only. Do not use to exhaust hazardous or explosive materials and vapors.
3. To avoid motor bearing damage and noisy and/or unbalanced impeller, keep drywall spray, construction dust, etc., off power unit.
4. Do not use over cooking equipment greater than 70,000 BTU/hr. as the blower motor will shut down intermittantly.
5. Your hood motor has a thermal overload which will automatically shut off the motor if it becomes overheated. The motor will restart when it cools down. If the motor continues to shut off and restart, have the hood serviced.
6. The top of the hood MUST NOT BE LESS than 30" and at a maximum of 36" above cooktop for best capture of cooking impurities.
7. This hood is not intended to be used as a shelf.
8. Please read specification label on product for further information and requirements.

Register your product online at: www.broan.com

**Installer: Leave this manual
with the homeowner.
Homeowner: Cleaning, Maintenance and
Operating instructions on page 2.**

CONTENTS

INCLUDED WITH THE HOOD:



CLEANING & MAINTENANCE

For performance, appearance, and health reasons, clean filter, fan and grease-laden surfaces. Use **only** a clean cloth and mild detergent solution on stainless and painted surfaces.

Clean all-metal filters in the dishwasher using a non-phosphate detergent. Discoloration of the filter may occur if using phosphate detergents, or as a result of local water conditions - but this will not affect filter performance. This discoloration is not covered by the warranty.

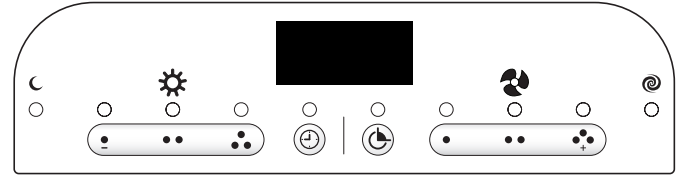
The motor is permanently lubricated and never needs oiling. If the motor bearings make excessive or unusual noise, replace the motor with the exact service motor. The impeller should also be replaced.

Use 120 V, 50 W, shielded halogen bulbs - MR16 with GU10 base.

OPERATION

Always turn the hood ON before cooking in order to establish an air flow in the kitchen. After turning off the range, let the hood run for a few minutes to clear the air.

Operate the hood as follows:



NOTE

The and buttons are used to adjust and toggle the menu and timer settings.

LIGHT (3-Pushbutton Switches 4-light Settings)

Turns the light on the low setting and activates a green indicator above the button. Pressing the button a second time activates the night time setting and illuminates the indicator.

Turns the light on the medium setting and activates a green indicator above the button.

Turns the light on the high setting and activates a green indicator above the button.

Pressing and holding the same light button again will turn the lights off.

When the night time setting is active, pressing and holding the low light setting button will turn the night time setting off.

FAN (3-Pushbutton Switches 4-fan speeds)

Turns the fan on the low speed and activates a green indicator above the button.

Turns the fan on the medium speed and activates a green indicator above the button.

Turns the fan on the high speed and activates a green indicator above the button. Pressing the button a second time activates the boost fan speed and illuminates the indicator.




Pressing and holding the same fan button again will turn the fan off.

When the boost speed is active, pressing and holding the high speed button will turn the boost speed off.


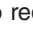





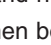
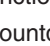
NOTE

This hood utilizes an offset blower design to achieve greater performance and lower sound levels. As a result, you may notice that cooking impurities are more attracted to one side or appear to be pulled-in faster than they appear on the opposite side. This is completely normal. The hood has been designed and tested to provide good capture of cooking impurities and odors under all normal cooking conditions regardless of the cooking location on the cooktop. Please note that cooking on the rear burners will always result in the best capture of cooking impurities, regardless of the hood design.




10-MINUTE DELAY OFF

When your hood fan is on (any speed) press the  button to activate the delay off feature. When activated, the hood fan will automatically turn off after 10-minutes has elapsed. The delay feature is active when the following appear on the LED screen: A green indicator illuminated above the delay  button, a numeric countdown “10-0”, and a clockwise rotating LED. The delay button can be pressed once again, to stop the delay countdown. Pressing the  button again will resume the delay countdown. Pressing and holding the button will turn off the feature.


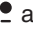


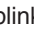


TIMER

Press the  button to activate the timer setting feature. Use the  and  buttons to reduce or advance the timer setting to the desired duration. When the desired timer setting is reached, allow 3 seconds without pressing any additional button or press the  button once again. The timer will then activate, and the countdown will be displayed on the LED screen along with an green indicator above the  button. After the timer has reached “0:00”, an audible beep will be heard. The beep will continue until the timer button  is pressed once again. The timer countdown can be stopped at any time by pressing the  once again. Pressing the  button again will resume the timer countdown. Pressing and holding the  button will turn off the feature. Note that when both the timer and delay off features are active together, the timer function will be illuminated on the LED display, and the delay off countdown will be active, but not displayed.




FEATURE MENU

Your hood offers many settings that can be accessed and adjusted by scrolling through the feature menu. Your hood fan must be off to be able to activate and access the feature menu. Pressing the  button when the hood fan is off will activate the feature menu. Pressing the  button again when the feature menu is active will scroll through the various features that can be adjusted/set. When the feature menu is active, if a button is not pressed within 10 seconds or after scrolling through all menu settings, the feature menu will automatically be exited, and all selected settings will be saved. A green indicator above the  icon will illuminate when the feature menu is active. The following features can be adjusted sequentially:





CLOCK SETTING

Press the  button once, the “hours” will begin blinking in the LED screen. Use the  and  buttons to set the appropriate hours for the clock. A small indicator will illuminate in the left corner of the LED screen to designate “pm.” After the hours are set, press the  button to advance the menu to the minute selection. The minutes will begin blinking in the LED screen. Use the  and  buttons to set the minutes. Press the  button again to advance the menu to select “display” settings.



DISPLAY (default from factory - display ON)

The LED screen will display the display feature -d-. Use the  or  button to toggle the LED screen on (d on) or off (doFF). When the display off (doFF) feature is selected, the LED display clock illumination is disabled. Press the  button again to advance the menu to select the “Sleep” setting.

SLEEP MODE (default from factory - OFF)

The LED screen will display the “Sleep” feature -S-. Use the  or  button to toggle the Sleep feature on (S on) or off (S off). When the Sleep on (S on) feature is selected, the LED screen and fan/light LED indicators are disabled. The ambient light sensor, delay-off and timer features will also be disabled. All controls for the fan and light operation, including Heat Sentry, are still active. Press the  button again to advance the feature menu to select the “Ambient Light Sensor” setting. Note: To access the feature menu when the Sleep Mode is active, press and hold the  button for 2 seconds.

AMBIENT LIGHT SENSOR (default from factory - Level 1 ON)

There are two level settings for the ambient light sensor. When either of the two settings is active, the light sensor will detect a low level of light in your kitchen, and will automatically turn the task lights on the hood to the night time setting. The other light settings are still functional. If selected when the ambient light sensor is active, they will temporarily override the ambient light sensor until they are turned off. The level 1 (Aon1) ambient light sensor setting will require your kitchen to be more dark than the level 2 (Aon2) setting before activating the night time setting. The LED screen will display the ambient light sensor function -A-. Use the  or  button to select the light sensor setting Aon1, Aon2, or AoFF. The Off (AoFF) setting deactivates the automatic ambient light sensor feature so the night time light operation is manual.

Note that the feature menu can be exited any time by not pressing any button(s) for 10 seconds or by scrolling through the entire feature menu.

HEAT SENTRY SYSTEM

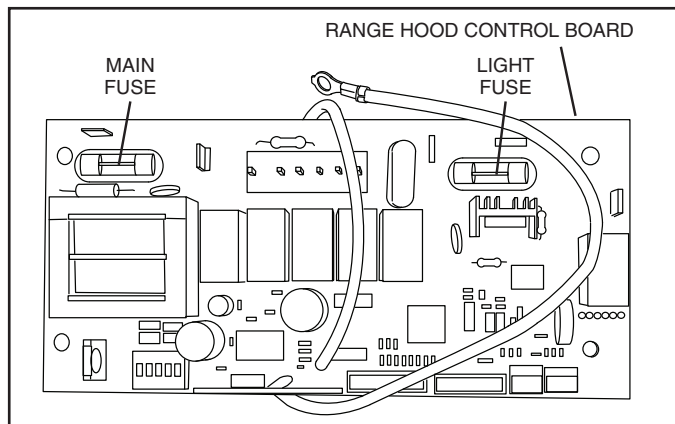
This range hood is equipped with an advanced Heat Sentry system that monitors excessive temperature and automatically adjusts the fan to the appropriate setting.

1) **If the fan is on**, the Heat Sentry system will increase the fan setting when the temperature is elevated. If the temperature continues to rise, the Heat Sentry system will continue to increase the fan setting until the temperature is stabilized or reduced. The flashing light above the fan button shows the Heat Sentry system fan setting. Once the temperature has reduced, the Heat Sentry system will change the fan to the original setting.

2) **If the fan is off**, the Heat Sentry system will automatically turn the fan on to its highest speed when the temperature is above normal. When the Heat Sentry system is on, the light above the high speed fan button will flash on and off. After the temperature has lowered to normal, the fan speed will be reduced until the temperature has stabilized, then the fan will turn off.

Note: Canadian version does not have this function.

FUSES



The **Range Hood Control Board** contains a **Main Fuse** and a **Light Fuse** to protect the controls from power surges. If a fuse has opened (blown), the green fan setting or light setting indicators will not operate properly when the fan or light buttons are pressed, and the fan and lights will not turn on.

New fuses can be purchased at your local electronic supply store. Use 8A, 120V, 5 mm diameter, 20 mm long, fast-acting, cartridge-type fuses.

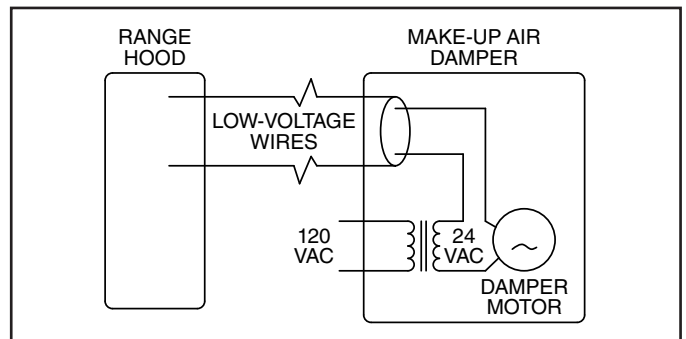
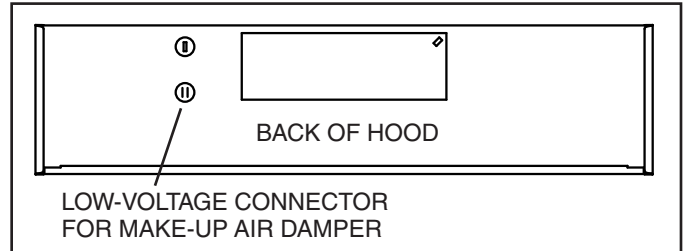
To replace a fuse (by qualified person(s)):

1. Disconnect power at service entrance.
2. Remove filters and bottom pan.
3. Remove and inspect fuse. If it is not open (blown), additional diagnostics are needed.

MAKE-UP AIR DAMPER

The hood is compatible with Broan Make-Up Air Damper Model MD6T or Model MD8T (optional). Purchase separately.

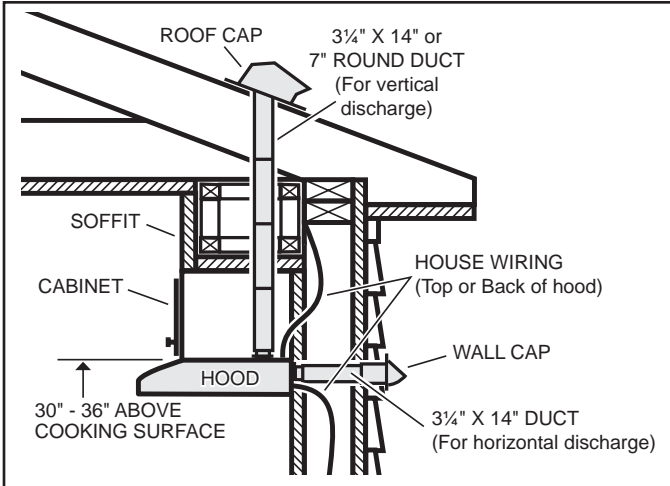
Make the connection to the Make-Up Air Damper with low voltage wiring, as shown. See Make-Up Air Damper instructions for additional information.



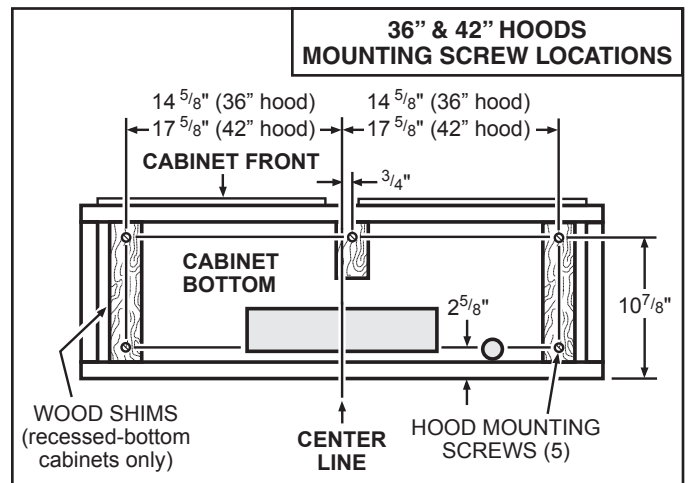
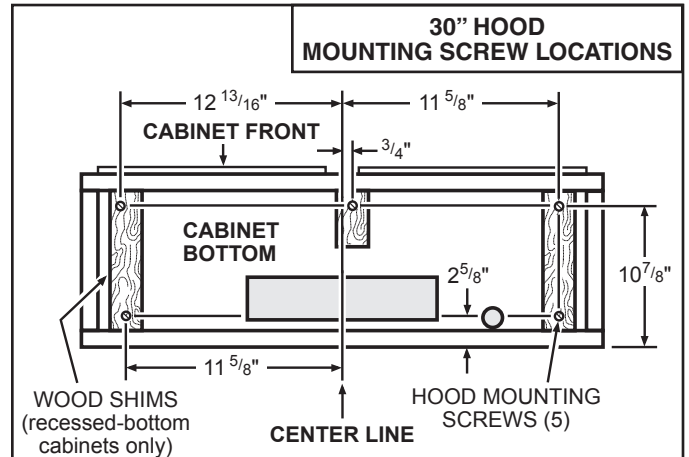
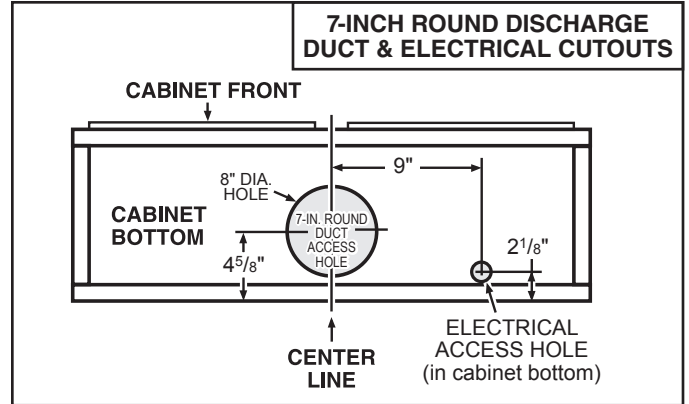
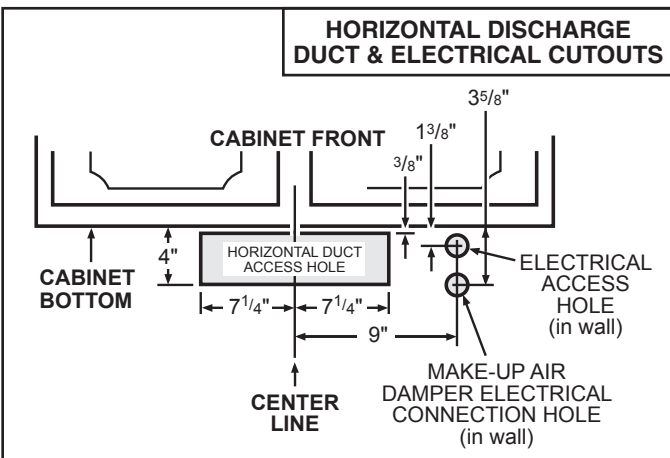
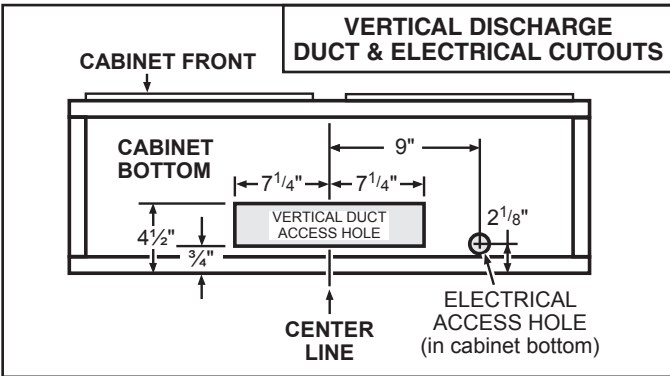
REMOTE CONTROL

The hood is compatible with Broan RF Remote Control Model BCR1 (optional). Purchase separately.

PREPARE HOOD LOCATION

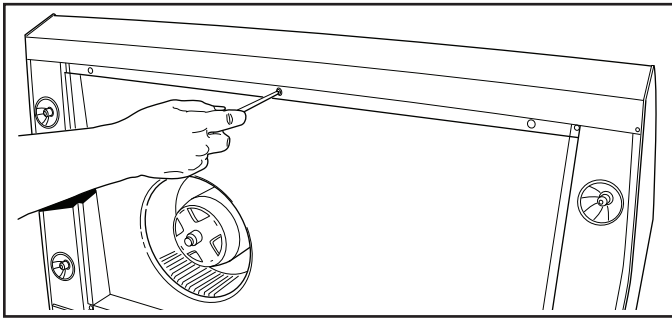


- 1 Determine whether hood will discharge vertically (3/4" x 14" or 7" Round), or horizontally (3/4" x 14" only). For vertical or horizontal discharge, run ductwork between the hood location and a roof cap or wall cap. For best results, use a minimum number of transitions and elbows.
- 2 Use the proper diagram, as follows, for placement of ductwork and electrical cutout in cabinet or wall.

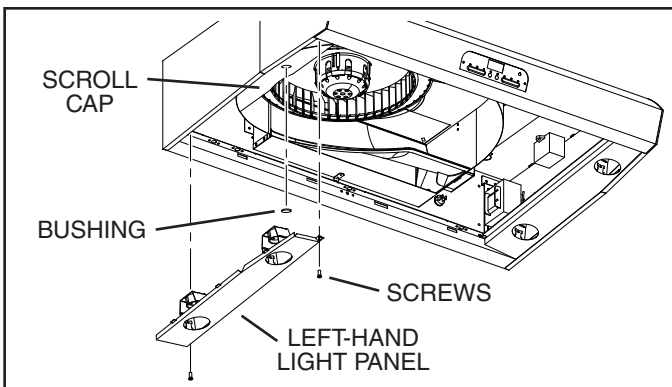


PREPARE THE HOOD

- 3 Remove parts bag and 3/4" x 14" damper/duct connector from inside the hardware box included with the hood.
- 4 Remove all protective polyfilm from the hood.

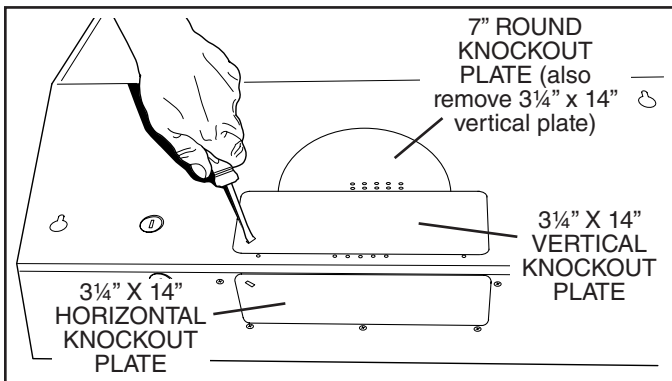


- 5 Remove 6 **Screws** holding **Bottom Pan** to hood. Set bottom pan and screws aside.

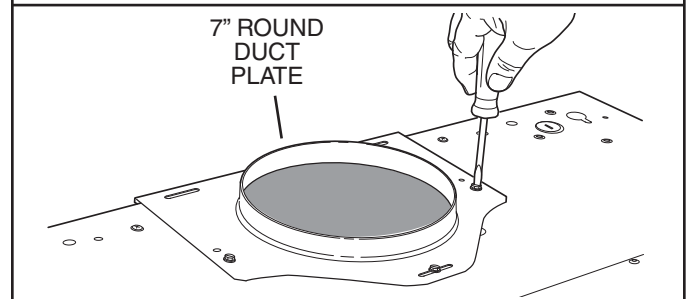
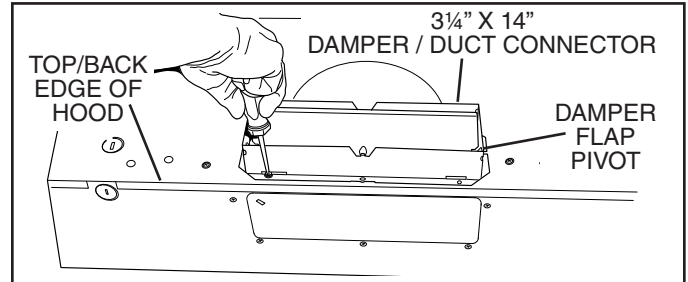


- 6 **FOR 30" MODEL ONLY:** Remove **Left-Hand Light Panel** by removing (2) **Screws** and disconnecting electrical connector.

Remove **Rubber Bushing** in **Scroll Cap**. Set parts aside.



- 7 Remove 3/4" x 14" vertical, 3/4" x 14" horizontal, or 7-inch round **Knockout Plate(s)** as appropriate for your ducting method.

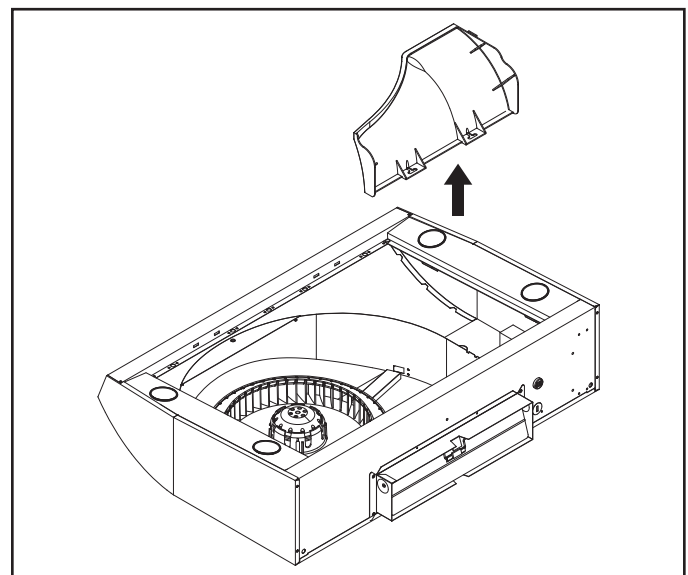


- 8 **VERTICAL 7" ROUND & 3/4" X 14" INSTALLATION ONLY:** Attach 3/4" x 14" **Damper/Duct Connector** (if using 3/4" x 14" duct) or **7" Round Duct Plate** (if using 7-inch round duct) over the knockout opening.

Notes:

To accommodate off-center ductwork, the 3/4" x 14" damper/duct connector can be installed up to 1/2" on either side of the hood center and the 7" round duct plate can be installed up to 1/2" on either side of the hood center.

Install the 3/4" x 14" Damper/Duct Connector with the **Damper Flap Pivot** nearest the **Top/Back Edge of Hood**.



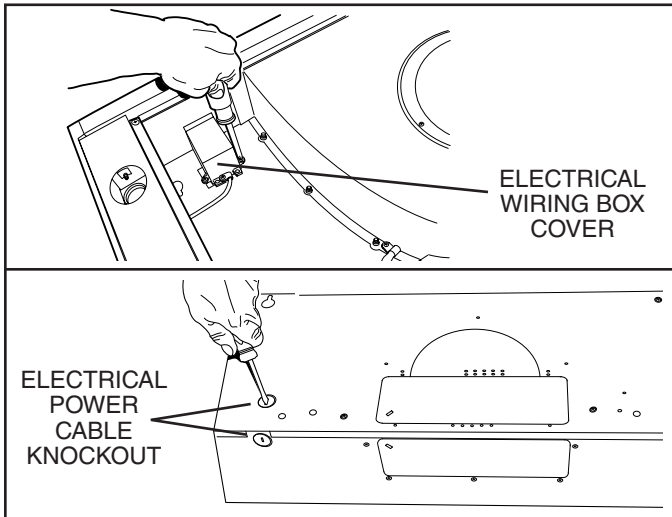
- 9 **HORIZONTAL 3/4" X 14" INSTALLATION ONLY:** Remove and discard **Vertical Diverter Plate**.

INSTALL THE HOOD

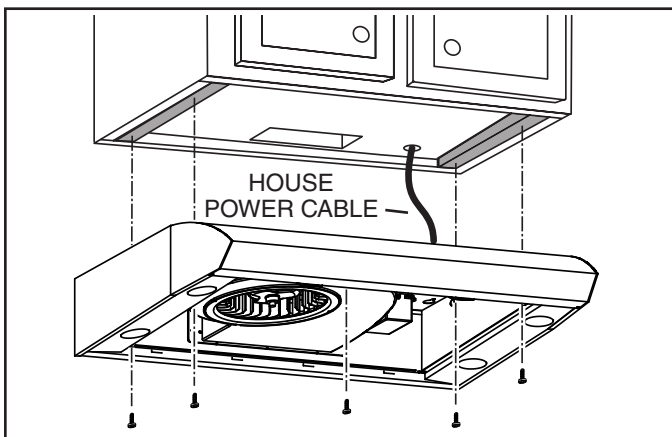


WARNING

To reduce the risk of electrical shock, switch power off at service panel. Lock or tag service panel to prevent power from being switched on accidentally.

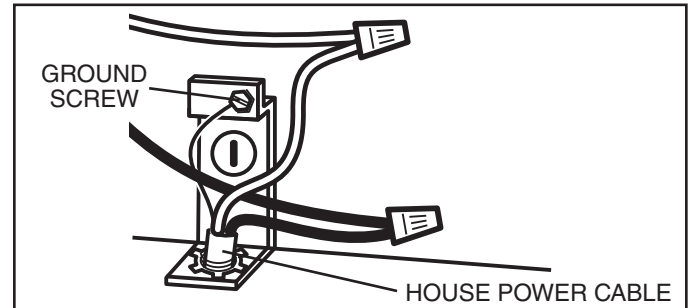


- 10** Remove **Electrical Wiring Box Cover** from inside of hood and appropriate **Electrical Power Cable Knockout** from top or back of hood.



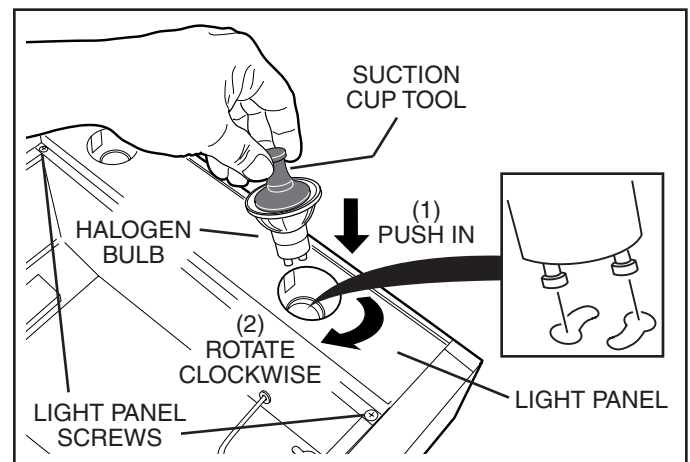
- 11** Run **House Power Cable** between service panel and hood location. Attach power cable to hood using appropriate clamp.
- 12** Hang hood from (4) mounting screws driven part-way into cabinet locations (shown in illustrations under "PREPARE HOOD LOCATION"). Mounting screws are included in parts bag. Slide hood back towards wall until mounting screw heads are engaged in narrow end of keyhole slots in top of hood. Tighten screws securely. Add 5th mounting screw in center hole in hood and tighten securely.
- 13** Connect ductwork to hood and use duct tape to make joints secure and air-tight. Make sure the damper / duct connector enters the ductwork and that the damper opens and closes freely.

CONNECT THE WIRING



- 14** Connect **House Power Cable** to range hood wiring - **BLACK to BLACK**, **WHITE to WHITE**, and **GREEN or BARE WIRE to Ground Screw**. Replace electrical wiring box cover.
- 15** **FOR 30" MODEL ONLY:** Replace rubber bushing, re-connect left-hand light panel electrical connector, and re-attach light panel with (2) screws removed in Step 6.
- 16** Re-attach **Bottom Pan** with 6 **Screws** removed in Step 5.
- 17** Install aluminum filters.

HOW TO CHANGE LIGHT BULBS



CAUTION: Bulbs may be hot. Refer to bulb packaging for further information.

Install (4) **Halogen Bulbs** (included with hood). Use 120 V, 50 W, shielded halogen bulbs - MR16 with GU10 base.

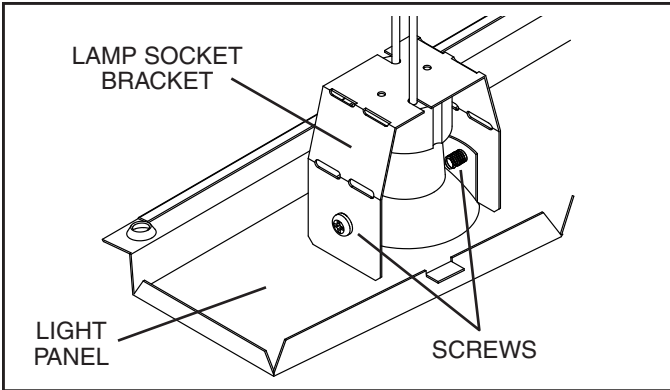
NOTE: Suction Cup Tool (included with hood) can be used to install and remove light bulbs.

Align pins on bulb with large diameter opening on socket, then push bulb in towards hood and rotate clockwise until firmly seated.

The position of the bulb socket (depth) is adjustable and may require adjustment when:

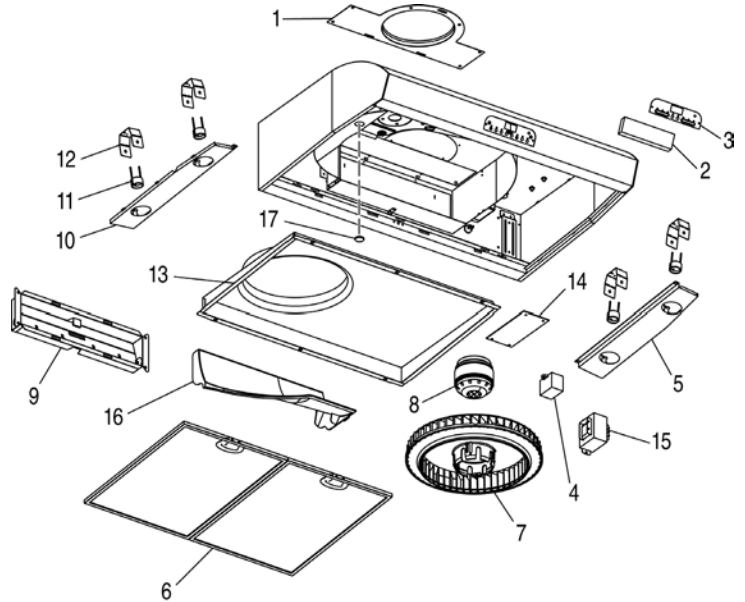
- certain brands of bulbs are difficult to install.
- the bulb protrudes too far below the light panel.

SERVICE PARTS



To change the depth of bulb sockets:

1. Remove bottom pan (See Step 5).
2. Remove 2 **Light Panel Screws** and **Light Panel**. Set screws aside.
3. Loosen 2 **Screws** holding **Lamp Socket Bracket** to **Light Panel**.
4. Adjust socket/bracket to desired depth.
5. Re-tighten screws securely.
6. Re-attach light panel and bottom pan.



WARRANTY

One Year Limited Warranty

Broan-NuTone warrants to the original consumer purchaser of its products that such products will be free from defects in materials or workmanship for a period of one (1) year from the date of original purchase. THERE ARE NO OTHER WARRANTIES, EXPRESS OR IMPLIED, INCLUDING, BUT NOT LIMITED TO, IMPLIED WARRANTIES OF MERCHANTABILITY OR FITNESS FOR A PARTICULAR PURPOSE.

During this one year period, Broan-NuTone will, at its option, repair or replace, without charge, any product or part which is found to be defective under normal use and service. THIS WARRANTY DOES NOT EXTEND TO FLUORESCENT LAMP STARTERS, TUBES, HALOGEN AND INCANDESCENT BULBS, FUSES, FILTERS, DUCTS, ROOF CAPS, WALL CAPS AND OTHER ACCESSORIES FOR DUCTING. This warranty does not cover (a) normal maintenance and service or (b) any products or parts which have been subject to misuse, negligence, accident, improper maintenance or repair (other than by Broan-NuTone), faulty installation or installation contrary to recommended installation instructions.

The duration of any implied warranty is limited to the one year period as specified for the express warranty. Some states do not allow limitation on how long an implied warranty lasts, so the above limitation may not apply to you.

BROAN-NUTONE'S OBLIGATION TO REPAIR OR REPLACE, AT BROAN-NUTONE'S OPTION, SHALL BE THE PURCHASER'S SOLE AND EXCLUSIVE REMEDY UNDER THIS WARRANTY. BROAN-NUTONE SHALL NOT BE LIABLE FOR INCIDENTAL, CONSEQUENTIAL OR SPECIAL DAMAGES ARISING OUT OF OR IN CONNECTION WITH PRODUCT USE OR PERFORMANCE. Some states do not allow the exclusion or limitation of incidental or consequential damages, so the above limitation or exclusion may not apply to you. This warranty gives you specific legal rights, and you may also have other rights, which vary from state to state. This warranty supersedes all prior warranties.

To qualify for warranty service, you must (a) notify Broan-NuTone at the address or telephone number below, (b) give the model number and part identification and (c) describe the nature of any defect in the product or part. At the time of requesting warranty service, you must present evidence of the original purchase date.

Broan-NuTone LLC, 926 W. State Street, Hartford, Wisconsin 53027
www.broan.com 800-558-1711

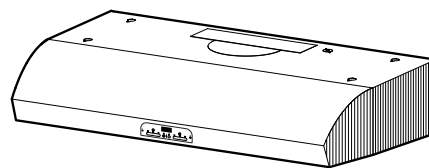
Rev. 08/2007

KEY NO.	PART NO.	DESCRIPTION
1	97018567	7" Round Duct Plate (includes mounting hardware)
2	97018257	User Interface Assembly Black (includes interface, nameplate, mounting hardware)
3	99528259	Nameplate, Black
4	97018568	Capacitor Kit (includes wire nuts, mounting screw)
5	97018227	Light Panel RH Stainless (includes mounting hardware)
6	97018205	Filter Kit for 30" (2 per bag)
	97018206	Filter Kit for 36" (2 per bag)
	97018207	Filter Kit for 42" (3 per bag)
7	97018569	Blower Wheel (includes spring clip)
8	97018570	Motor Kit (includes motor, isolators, mounting hardware)
9	97018571	Damper / Duct Connector (includes mounting hardware)
10	97018231	Light Panel LH Stainless (includes mounting hardware)
11	97017731	Lamp Socket (includes lamp socket, wire nuts, mounting screws)
12	97018233	Lamp Socket Bracket
13	97018572	Bottom Pan 30" (includes mounting hardware)
	97018573	Bottom Pan 36" (includes mounting hardware)
	97018574	Bottom Pan 42" (includes mounting hardware)
14	97018260	Circuit Board
15	97018262	Transformer (includes mounting hardware)
16	97018575	Vertical Diverter
17	97018582	Rubber Bushing
*	97017735	Parts Bag
*	99526707	Suction Cup Tool
*	97018252	Heat Sensor
*	97018253	Fuse
*	97018261	Ribbon Cable Kit (contains 3)
*	V05921	50W Halogen GU10 Bulb

* Not shown
Order replacement parts by PART NO. - not by KEY NO.

EVOLUTION™ 4

Hottes de cuisine de série QP4



Page 9

LIRE CES DIRECTIVES ET LES CONSERVER

! POUR USAGE DOMESTIQUE SEULEMENT !

AVERTISSEMENT

OBSERVEZ LES DIRECTIVES CI-DESSOUS AFIN DE RÉDUIRE LES RISQUES D'INCENDIE, DE CHOC ÉLECTRIQUE OU DE BLESSURES CORPORELLES :

1. N'utilisez cet appareil que de la manière prévue par le fabricant. Si vous avez des questions, communiquez avec le fabricant à l'adresse ou au numéro de téléphone indiqués dans la garantie.
2. Avant de procéder à l'entretien ou au nettoyage de l'appareil, coupez l'alimentation du panneau électrique et verrouillez l'interrupteur principal afin d'empêcher que le courant ne soit accidentellement rétabli. S'il est impossible de verrouiller l'interrupteur principal, fixez solidement un message d'avertissement, par exemple une étiquette, sur le panneau électrique.
3. La pose de l'appareil et les travaux d'électricité doivent être effectués par des personnes qualifiées conformément à la réglementation en vigueur, notamment les normes de construction ayant trait à la protection contre les incendies.
4. Pour éviter les refoulements, l'apport d'air doit être suffisant pour brûler les gaz produits par les appareils à combustion et les évacuer dans le conduit de fumée (cheminée). Respectez les directives du fabricant de l'appareil de chauffage et les normes de sécurité, notamment celles publiées par la National Fire Protection Association (NFPA), l'American Society of Heating, Refrigeration and Air Conditioning Engineers (ASHRAE) et les codes des autorités locales.
5. Ce produit peut comporter des arêtes tranchantes. Prenez garde aux coupures et aux éraflures lors de l'installation et du nettoyage.
6. Veillez à ne pas endommager le câblage électrique ou d'autres équipements non apparents lors de la découpe ou du perçage du mur ou du plafond.
7. Les ventilateurs canalisés doivent toujours rejeter l'air à l'extérieur.
8. N'utilisez que des conduits métalliques.
9. N'utilisez pas de commande de régime à semi-conducteurs avec ce ventilateur.
10. Ce produit peut également être installé avec un ensemble de cordon électrique homologué UL de conception spéciale, en suivant les instructions accompagnant l'ensemble de cordon électrique.
11. Cet appareil doit être relié à une mise à la terre.

POUR RÉDUIRE LES RISQUES D'INCENDIE CAUSÉS PAR DE LA GRAISSE SUR LE PLAN DE CUISSON :

1. Ne laissez jamais les éléments de surface allumés à haute température. Les débordements produisent de la fumée et des écoulements de graisse inflammables. L'huile doit être chauffée graduellement à basse ou à moyenne température.
2. Mettez toujours la hotte en MARCHÉ lors de la cuisson à feu vif ou lors de la cuisson d'aliments à flamber (par ex., crêpes Suzette, cerises jubilé, bœuf au poivre flambé).
3. Nettoyez souvent la hotte. Ne laissez pas la graisse s'accumuler sur le ventilateur ou les filtres.
4. Utilisez des casseroles de dimension appropriée. Utilisez toujours une batterie de cuisine adaptée à la dimension de la surface chauffante.

OBSERVEZ LES CONSIGNES SUIVANTES DE MANIÈRE À RÉDUIRE LES RISQUES DE BLESSURES CORPORELLES EN CAS D'INCENDIE CAUSÉ PAR DE LA GRAISSE SUR LE PLAN DE CUISSON :*

AVERTISSEMENT

1. ÉTOUFFEZ LES FLAMMES à l'aide d'un couvercle étanche, d'une tôle à biscuits ou d'un plateau en métal puis éteignez le brûleur. FAITES ATTENTION DE NE PAS VOUS BRÛLER. SI LES FLAMMES NE S'ÉTEignent PAS IMMÉDIATEMENT, QUITTEZ LES LIEUX ET APPELEZ LE SERVICE DES INCENDIES.
2. NE RETIREZ JAMAIS UNE POËLE EN FLAMMES DE LA CUISINIÈRE. Vous risquez de vous brûler et de propager l'incendie.
3. N'UTILISEZ PAS D'EAU, ni de serviettes ou de linges mouillés – une violente explosion de vapeur pourrait survenir.
4. Utilisez un extincteur SEULEMENT si :
 - A. Vous savez qu'il est de classe ABC et vous connaissez déjà son mode de fonctionnement.
 - B. L'incendie n'est pas très important et ne se propage pas.
 - C. Les pompiers ont été avisés.
 - D. Vous pouvez combattre l'incendie en faisant dos à une sortie.

* Conseils tirés de la publication de la NFPA « Kitchen Fire Safety Tips ».

ATTENTION

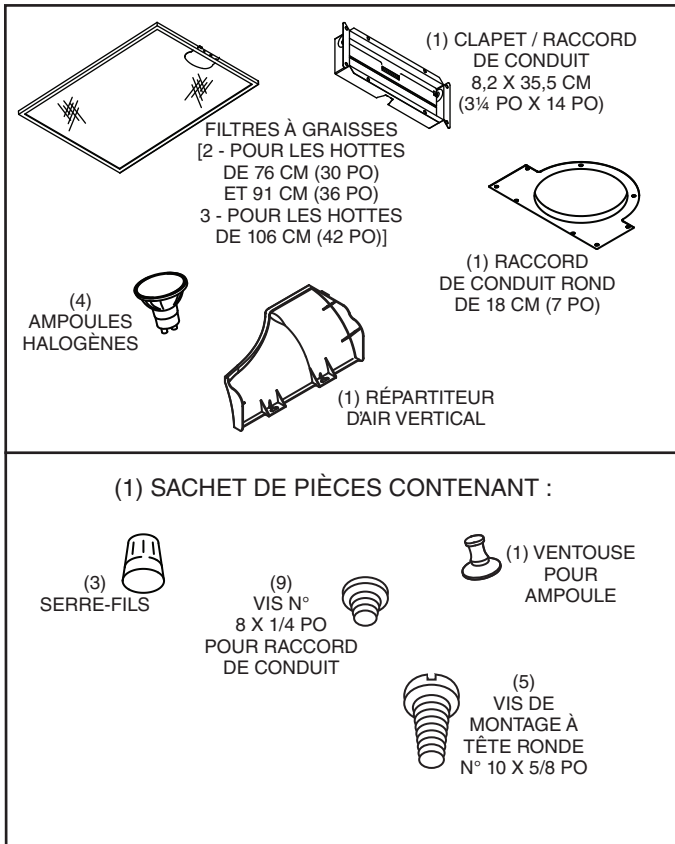
1. Pour usage intérieur seulement.
2. Pour ventilation générale uniquement. Ne pas utiliser cet appareil pour évacuer des matières ou des vapeurs dangereuses ou explosives.
3. Pour ne pas endommager les roulements du moteur, déséquilibrer les pales ou les rendre bruyantes, protégez l'appareil de la poussière de plâtre, de construction, etc.
4. Ne pas utiliser cette hotte au-dessus d'un appareil de cuisson dépassant 70 000 BTU/heure car le moteur du ventilateur s'arrêtera par intermittence.
5. Le moteur de la hotte est muni d'un dispositif de protection de surcharge électrique qui coupe automatiquement le moteur en cas de surchauffe. Il se remet en marche lorsqu'il a refroidi. Faites réparer la hotte si le moteur continue à fonctionner par intermittence.
6. Pour mieux capter les vapeurs de cuisson, le bas de la hotte DOIT ÊTRE AU MINIMUM à 76 cm (30 po) et au maximum à 91 cm (36 po) au-dessus de la surface de cuisson.
7. Cette hotte n'est pas conçue pour servir d'étagère.
8. Veuillez lire l'étiquette de spécifications du produit pour obtenir plus de renseignements, notamment sur les exigences.

Enregistrez votre produit en ligne à : www.broan.com.

Installateur : Veuillez remettre ce manuel au propriétaire.
Propriétaire : Nettoyage, entretien et mode d'emploi à la page 10.

CONTENU

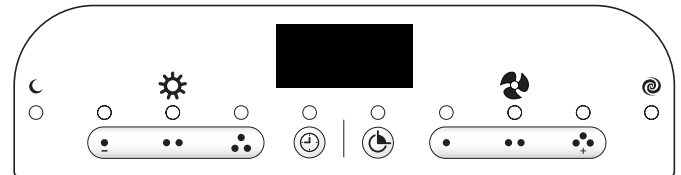
INCLUS AVEC LA HOTTE :



FONCTIONNEMENT

Mettez toujours la hotte en MARCHÉ avant de cuisiner afin d'établir une circulation d'air dans la cuisine. Laissez la hotte fonctionner quelques minutes après l'arrêt de la cuisinière afin de nettoyer l'air.

Pour utiliser la hotte, faites comme suit :



REMARQUE

Les boutons et servent à configurer le menu et la minuterie et à passer de l'un à l'autre.

ÉCLAIRAGE (3 boutons-poussoirs 4 réglages d'éclairage)

Allume l'éclairage à faible intensité et active un témoin vert au-dessus du bouton. Appuyer de nouveau sur active le réglage de nuit et illumine le témoin .

Allume l'éclairage à moyenne intensité et active un témoin vert au-dessus du bouton.

Allume l'éclairage à haute intensité et active un témoin vert au-dessus du bouton.

Appuyer de nouveau sur le même bouton et le maintenir éteint l'éclairage.

Lorsque le réglage de nuit est activé, appuyer de nouveau sur le bouton d'éclairage à faible intensité et le maintenir désactive le réglage de nuit.

VENTILATEUR (3 boutons-poussoirs 4 régimes de ventilateur)

Met le ventilateur en marche au régime lent et active un témoin vert au-dessus du bouton.

Met le ventilateur en marche au régime moyen et active un témoin vert au-dessus du bouton.

Met le ventilateur en marche au régime élevé et active un témoin vert au-dessus du bouton. Appuyer de nouveau sur le bouton active le ventilateur à la vitesse maximale et illumine le témoin .

Appuyer sur le même bouton et le maintenir arrête le ventilateur.

Lorsque la vitesse maximale est activée, appuyer sur le bouton de régime élevé et le maintenir désactive la vitesse maximale.

REMARQUE

Cette hotte comporte un ventilateur à conception décalée offrant un meilleur rendement tout en réduisant le niveau sonore. Par conséquent, vous remarquerez peut-être que les impuretés de cuisson sont davantage attirées d'un côté ou semblent aspirées plus rapidement que de l'autre côté, ce qui est normal. La hotte a été conçue et testée pour capter les impuretés et odeurs de cuisson dans des conditions normales, quel que soit l'endroit où la cuisson s'effectue sur la cuisinière. Veuillez noter que cuisiner sur les brûleurs arrière permet toujours une meilleure captation des impuretés de cuisson, quelle que soit la conception de la hotte.

NETTOYAGE ET ENTRETIEN



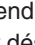
Pour des raisons de santé, de performance et d'apparence, nettoyez le filtre, le ventilateur et les surfaces grasses. Utilisez seulement un chiffon propre et une solution de détergent doux sur l'acier inoxydable et les surfaces peintes.

Nettoyez les filtres entièrement métalliques au lave-vaisselle avec un détergent sans phosphate. Une décoloration du filtre peut se produire si des détergents phosphatés sont utilisés et selon les conditions locales de l'eau, sans toutefois affecter le rendement du filtre. Cette décoloration n'est pas couverte par la garantie.






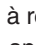
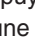
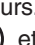
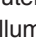
Le moteur est lubrifié en permanence et n'a pas besoin d'être huilé. Si les roulements du moteur sont anormalement bruyants, remplacez le moteur exactement par le même modèle. La roue à ailettes doit aussi être remplacée.

Utilisez des ampoules halogènes avec écran de 120 V, 50 W - MR16 à culot GU10.




ARRÊT DIFFÉRÉ DE 10 MINUTES

La hotte étant en marche (à n'importe quelle vitesse), appuyez sur le bouton  pour activer la fonction d'arrêt différé. Le ventilateur s'arrêtera automatiquement après un délai de 10 minutes. La fonction d'arrêt différé est active lorsque ce qui suit apparaît sur l'écran DEL : Un témoin vert s'allume au-dessus du bouton d'arrêt différé , un compte à rebours « 10 à 0 » s'affiche ainsi que des DEL s'allument en tournant dans le sens horaire. Appuyez de nouveau sur le bouton d'arrêt différé pour interrompre le compte à rebours. Appuyez de nouveau sur le bouton  pour reprendre le compte à rebours. Appuyer sur le bouton et le maintenir désactive cette fonction.


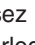





MINUTERIE

Appuyez sur le bouton  pour activer la fonction de minuterie. Utilisez les boutons  et  pour reculer ou avancer le réglage de la minuterie à la durée voulue. Une fois la minuterie réglée comme souhaité, attendez 3 secondes sans appuyer sur aucun autre bouton ou appuyez de nouveau sur le bouton . La minuterie est alors activée et le compte à rebours s'affiche sur l'écran DEL, tandis qu'un voyant vert s'allume au-dessus du bouton . Lorsque la minuterie atteint « 0:00 », un signal sonore se fait entendre. Le signal continue jusqu'à ce que l'on ait appuyé de nouveau sur le bouton . Le compte à rebours de la minuterie peut être interrompu en tout temps en appuyant de nouveau sur le bouton . Si vous appuyez encore une fois sur le bouton , la minuterie reprend le compte à rebours. Pour désactiver cette fonction, appuyez sur le bouton  et maintenez-le. Veuillez noter que si les fonctions de minuterie et d'arrêt différé sont activées ensemble, la minuterie sera illuminée sur l'écran DEL, tandis que la fonction d'arrêt différé sera active mais pas affichée.




MENU DE FONCTIONS

Votre hotte comporte de nombreux réglages auxquels vous pouvez accéder en faisant défiler le menu de fonctions. La hotte doit être arrêtée pour être en mesure d'accéder au menu de fonctions. Appuyez sur le bouton  pendant que la hotte est arrêtée pour activer le menu de fonctions. Pendant que le menu est actif, appuyez de nouveau sur le bouton  pour faire défiler les diverses fonctions à régler ou configurer. Si le menu de fonctions est actif mais qu'aucun bouton n'est pressé après 10 secondes ou après avoir fait défiler tous les réglages du menu, la hotte quitte automatiquement le menu de fonctions et tous les réglages sont enregistrés. Un témoin vert s'allume au-dessus de l'icône  lorsque le menu de fonctions est actif. Les fonctions suivantes peuvent être réglées l'une après l'autre :





RÉGLAGE DE L'HEURE

Appuyez une fois sur le bouton , les « heures » commencent à clignoter sur l'écran DEL. Utilisez les boutons  et  pour régler correctement l'heure de l'horloge. Un petit témoin s'allume dans le coin gauche de l'écran DEL pour indiquer « PM ». Une fois l'heure réglée, appuyez sur le bouton  pour avancer au menu de sélection des minutes. Les minutes se mettent à clignoter sur l'écran DEL. Utilisez les boutons  et  pour régler les minutes. Appuyez de nouveau sur le bouton  pour avancer au menu et sélectionner « Affichage ».



AFFICHAGE (par défaut à l'usine, l'affichage est EN MARCHÉ)

L'écran DEL affiche la fonction d'affichage -d-. Utilisez le bouton  ou  pour passer entre l'écran DEL allumé (d on) ou éteint (doFF). Lorsque la fonction d'affichage éteint (doFF) est sélectionnée, l'affichage DEL de l'horloge est désactivé. Appuyez de nouveau sur le bouton  pour avancer au menu de sélection du « Mode veilleuse ».

MODE VEILLEUSE (par défaut à l'usine - DÉSACTIVÉ)

L'écran DEL affichera la fonction « Veilleuse » -S-. Utilisez le bouton  ou  pour passer entre la fonction Veilleuse activée (S on) ou désactivée (S off). Lorsque la fonction Veilleuse est activée (S on), l'écran DEL et les voyants DEL du ventilateur et de l'éclairage sont désactivés. Le capteur de lumière ambiante, la fonction d'arrêt différé et la minuterie sont également désactivés. Les commandes du ventilateur et de l'éclairage, y compris celles du détecteur de chaleur, sont actives. Appuyez de nouveau sur le bouton  pour avancer au menu et sélectionner « Capteur de lumière ambiante ». Remarque : Pour accéder au menu de fonctions lorsque le mode Veilleuse est actif, appuyez sur le bouton  et maintenez-le 2 secondes.

CAPTEUR DE LUMIÈRE AMBIANTE (par défaut à l'usine - Niveau 1 MARCHÉ)

Il y a deux réglages de niveau pour le capteur de lumière ambiante. Quand l'un ou l'autre niveau est actif, le capteur de lumière détecte un faible niveau de lumière dans la cuisine et règle automatiquement les témoins de la hotte sur le mode de nuit. Les autres réglages de l'éclairage demeurent fonctionnels. Si la sélection est effectuée alors que le capteur de lumière est actif, elle supplante temporairement le capteur de lumière jusqu'à ce que l'éclairage soit éteint. Le réglage du capteur de lumière ambiante de niveau 1 (Aon1) exige que la cuisine soit plus sombre que le réglage de niveau 2 (Aon2) avant d'activer le mode de nuit. L'écran DEL affiche la fonction de capteur de lumière ambiante -A-. Utilisez le bouton  ou  pour sélectionner le réglage du capteur de lumière Aon1 (niveau 1), Aon2 (niveau 2) ou AoFF (désactivé). La sélection AoFF désactive la fonction de capteur de lumière ambiante de sorte que le fonctionnement de nuit soit manuel.

Veuillez noter que vous pouvez quitter le menu de fonctions en tout temps en n'appuyant sur aucun bouton pendant 10 secondes ou en faisant défiler toutes les fonctions du menu.

SYSTÈME DE DÉTECTEUR DE CHALEUR

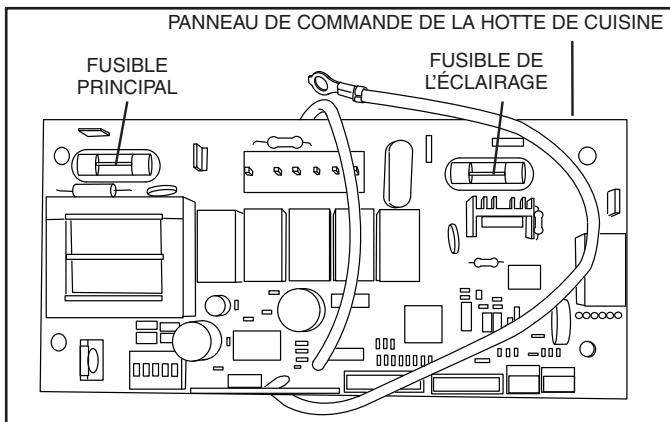
Cette hotte comporte un système perfectionné de détecteur de chaleur capable de déceler une température excessive et de régler automatiquement le ventilateur au régime adéquat.

1) **Si le ventilateur est en marche**, le système de détecteur de chaleur augmente la vitesse du ventilateur au fur et à mesure que la température s'élève. Si la température continue de s'élever, le système de détecteur augmente la vitesse du ventilateur jusqu'à stabilisation ou abaissement de la température. Le voyant clignotant situé au-dessus du bouton du ventilateur indique le réglage établi par le système de détecteur. Une fois la température abaissée, le système de détecteur rétablit le réglage original du ventilateur.

2) **Si le ventilateur est arrêté**, le système de détecteur règle automatiquement le ventilateur à la vitesse maximale lorsque la température est au-dessus de la normale. Lorsque le système de détecteur est activé, le voyant lumineux situé au-dessus du bouton de régime élevé du ventilateur clignote. Une fois la température revenue à la normale, la vitesse du ventilateur est réduite jusqu'à ce que la température soit stabilisée, puis le ventilateur s'arrête.

Remarque : La version canadienne ne comporte pas cette fonction.

FUSIBLES



Le **panneau de commande de la hotte** comprend un **fusible principal** et un **fusible d'éclairage** pour le protéger contre les surtensions. Si un fusible a sauté (grillé), les voyants verts indiquant la force du ventilateur et de l'éclairage ne s'allument pas normalement lorsque l'on appuie sur les boutons du ventilateur et de l'éclairage, et ni le ventilateur ni la lumière ne fonctionnent.

Vous pouvez vous procurer un nouveau fusible chez votre magasin d'électronique local. Utilisez des fusibles de 8 A, 120 V, 5 mm de diamètre, 20 mm de long, à action rapide, de type cartouche.

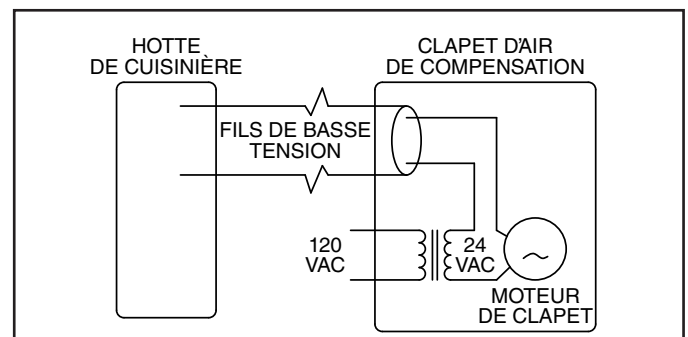
Pour remplacer un fusible (le remplacement doit être effectué par une ou des personnes qualifiées) :

1. Coupez le courant au panneau électrique.
2. Enlevez les filtres et le panneau inférieur.
3. Enlevez et inspectez le fusible. S'il n'a pas sauté (grillé), un diagnostic plus poussé doit être effectué.

CLAPET D'AIR DE COMPENSATION

La hotte est compatible avec le Clapet d'air de compensation Broan modèle MD6T ou modèle MD8T (en option). Vendu séparément.

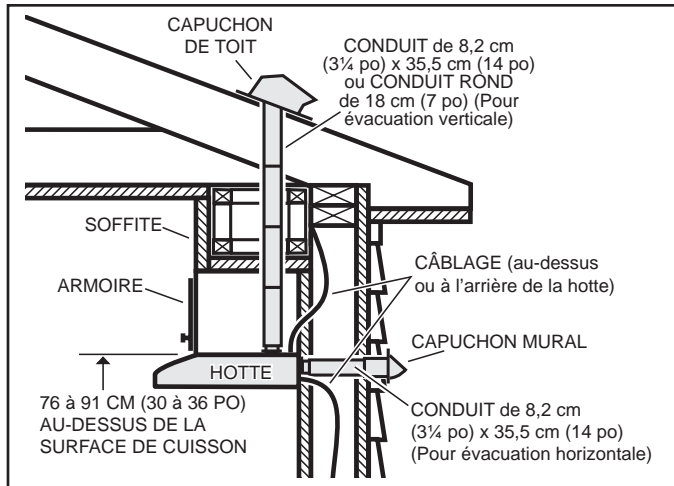
Connectez le clapet d'air de compensation avec les fils de basse tension, tel qu'illustré. Pour de plus amples renseignements, consultez les directives du clapet d'air de compensation.



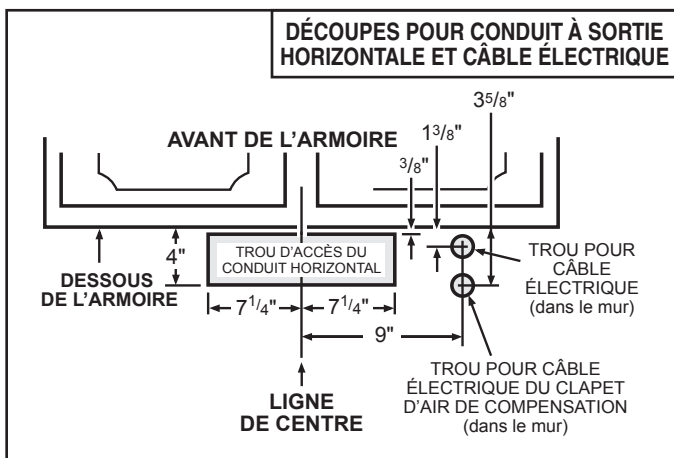
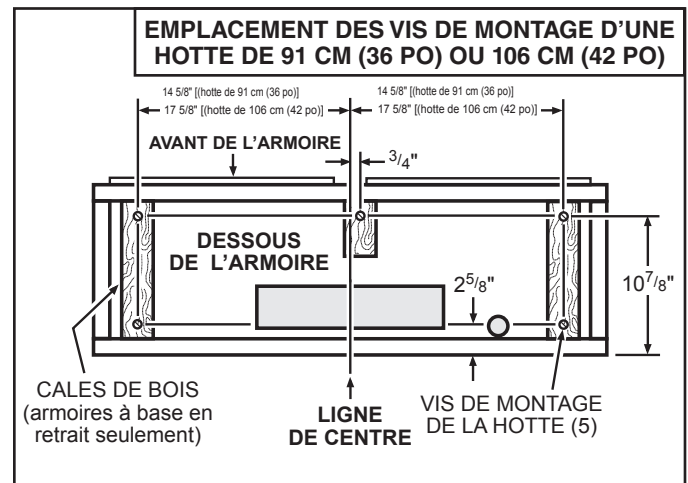
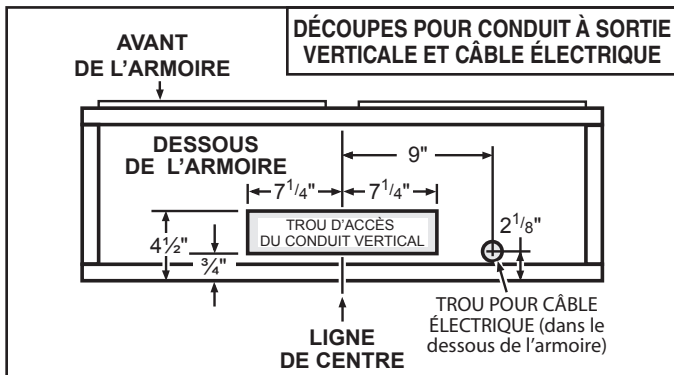
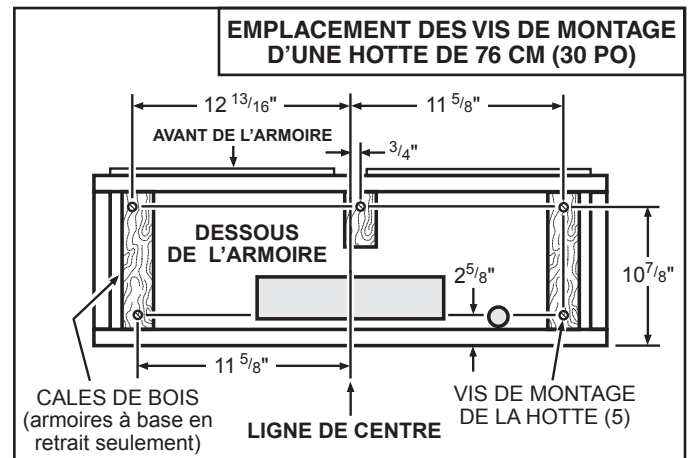
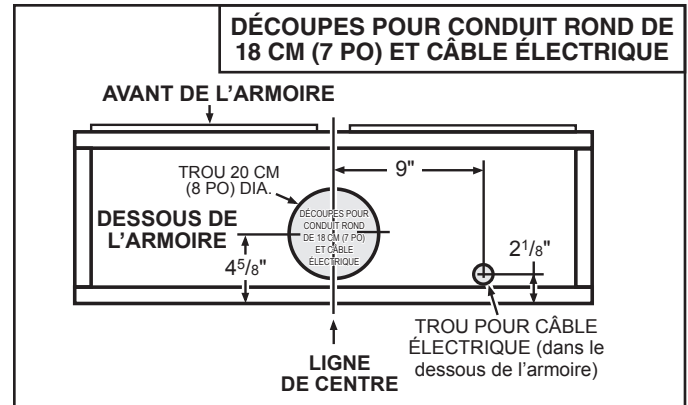
TÉLÉCOMMANDE

La hotte est compatible avec la télécommande à radio fréquence (RF) Broan modèle BCR1 (en option). Vendue séparément.

PRÉPARATION DE L'EMPLACEMENT DE LA HOTTE



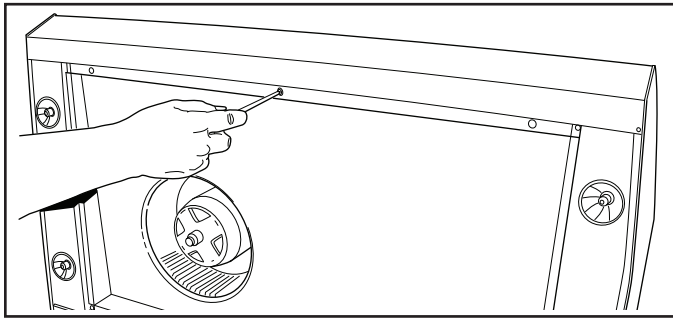
- Déterminez si la sortie de la hotte sera verticale [conduit de 8,2 cm (3 1/4 po) x 35,5 cm (14 po) ou conduit rond de 18 cm (7 po)] ou horizontale [8,2 cm (3 1/4 po) x 35,5 cm (14 po) uniquement]. Pour une évacuation verticale ou horizontale, installez les conduits entre un capuchon de toit ou un capuchon mural. Pour obtenir les meilleurs résultats, utilisez un minimum de coudes et de transitions.
- À l'aide des diagrammes ci-dessous, déterminez l'emplacement exact des coupes à effectuer pour le conduit et le fil d'alimentation électrique dans l'armoire ou le mur.



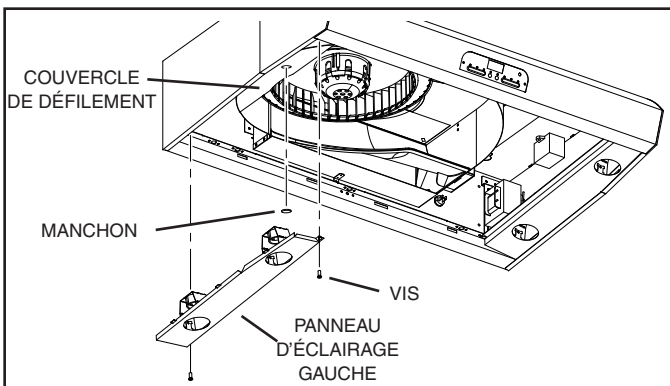
PRÉPARATION DE LA HOTTE

3 Retirez le sachet de pièces et le clapet / raccord de conduit 8,2 (3¼ po) X 35,5 cm (14 po) de la boîte de quincaillerie incluse avec la hotte.

4 Enlevez toutes les pellicules protectrices de la hotte.

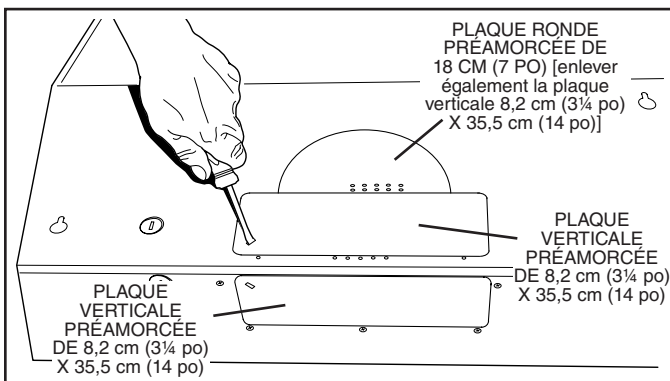


5 Enlevez les six **vis** maintenant le **panneau inférieur** de la hotte. Mettez le panneau inférieur et les vis de côté.

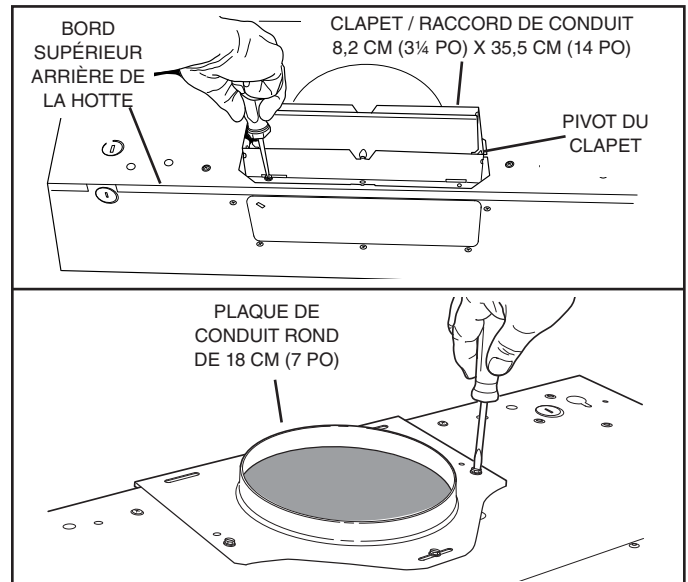


6 **POUR MODÈLE 76 CM (30 PO) UNIQUEMENT :** Retirez le **panneau d'éclairage gauche** en enlevant les deux **(2) vis** et en débranchant le connecteur électrique.

Enlevez le **manchon en caoutchouc** du **couvercle de défilement**. Mettez les pièces de côté.



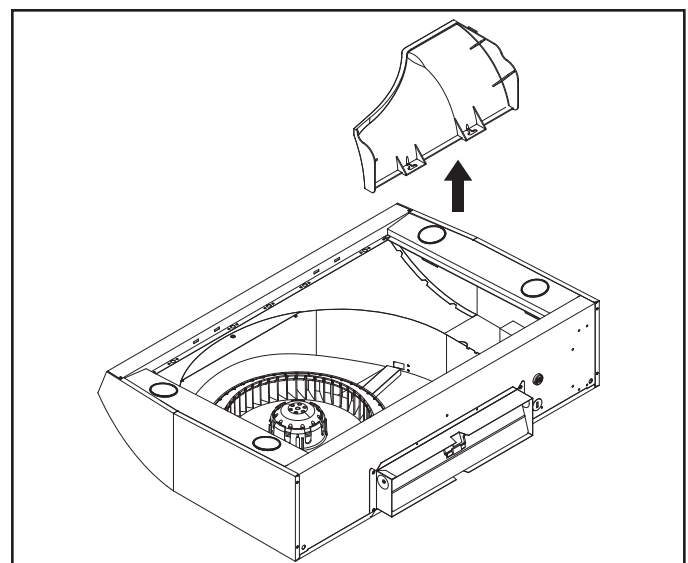
7 Enlevez la **plaque verticale préamorcée** de 8,2 cm (3¼ po) x 35,5 cm (14 po), la plaque horizontale préamorcée de 8,2 cm (3¼ po) x 35,5 cm (14 po), ou la plaque ronde préamorcée de 18 cm (7 po), selon la méthode de montage employée.



8 **INSTALLATION D'UN CONDUIT ROND VERTICAL DE 18 CM (7 PO) UNIQUEMENT :** Fixez le **clapet / raccord de conduit de 8,2 cm (3¼ po) x 35,5 cm (14 po)** [(si vous utilisez un conduit de 8,2 cm (3¼ po) x 35,5 cm (14 po)] ou la **plaque de conduit rond de 18 cm (7 po)** [(si vous utilisez un conduit rond de 18 cm (7 po)] sur l'ouverture choisie.

Remarques :

Pour accommoder les conduits décentrés, le clapet / raccord de conduit de 8,2 cm (3¼ po) X 35,5 cm (14 po) peut être installé jusqu'à 1,2 cm (½ po) d'un côté ou de l'autre du centre de la hotte et la plaque de conduit rond de 18 cm (7 po) peut être installée jusqu'à 1,2 cm (½ po) d'un côté ou de l'autre du centre de la hotte. Installez le clapet / raccord de conduit de 8,2 cm (3¼ po) X 35,5 cm (14 po) en plaçant le **pivot du clapet** le plus près du **bord supérieur arrière de la hotte**.



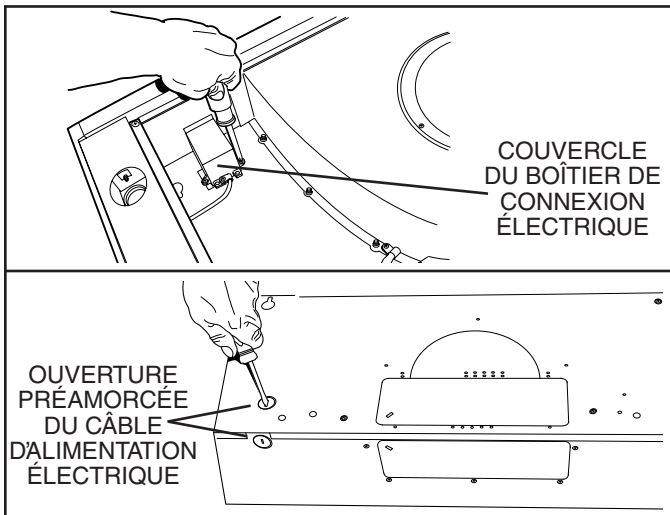
9 **INSTALLATION HORIZONTALE DE 8,2 CM (3¼ PO) X 35,5 CM (14 PO) UNIQUEMENT :** Enlevez et jetez la **plaque de répartiteur vertical**.

INSTALLATION DE LA HOTTE

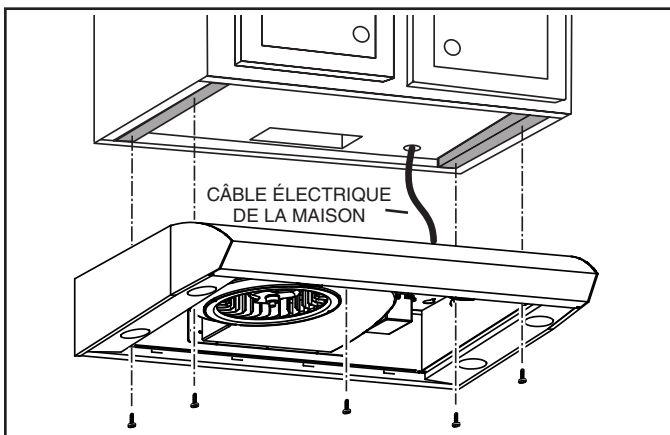


AVERTISSEMENT

Pour réduire les risques de choc électrique, coupez le courant du panneau électrique. Verrouillez ou posez un sceau sur le panneau afin d'éviter que le courant ne soit rétabli accidentellement.

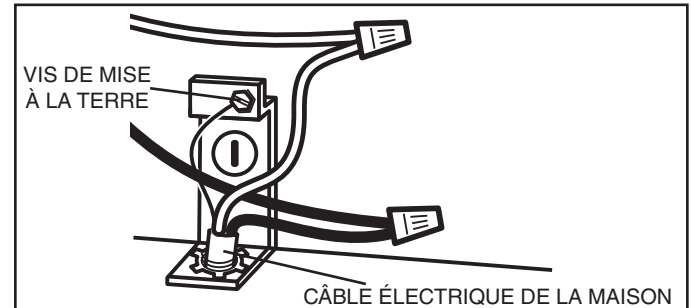


- 10 Enlevez le **couvercle du boîtier de connexion électrique** à l'intérieur de la hotte et l'**ouverture préamorcée de câble d'alimentation électrique** appropriée sur le dessus ou à l'arrière de la hotte.



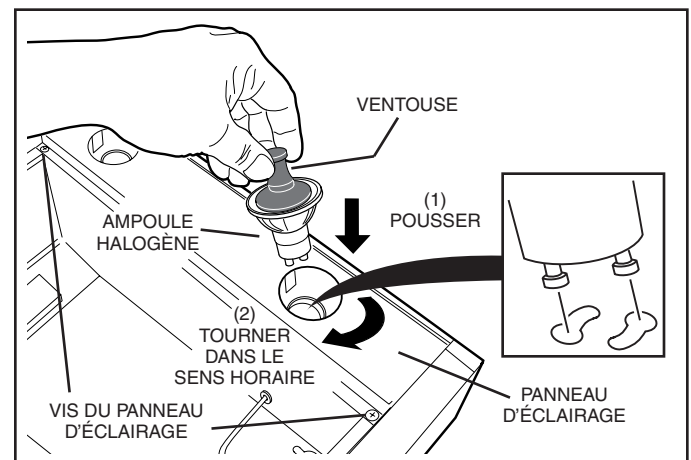
- 11 Acheminez le fil d'alimentation électrique du panneau électrique jusqu'à l'emplacement de la hotte. Fixez le câble à la hotte avec le connecteur approprié.
- 12 Suspendez la hotte à l'aide de (4) vis à moitié vissées aux endroits marqués sous l'armoire (illustré sous « PRÉPARATION DE L'EMPLACEMENT DE LA HOTTE »). Ces vis sont incluses dans le sac de pièces. Glissez la hotte vers le mur de manière à engager la tête des vis dans la fente des trous de serrure du dessus de la hotte. Resserrez fermement les vis. Ajoutez la cinquième vis de montage dans le trou central de la hotte et serrez-la fermement.
- 13 Raccordez le conduit à la hotte et assurez-vous que les joints sont bien fixés et étanches à l'aide de ruban pour conduit. Assurez-vous que le clapet / raccord de conduit s'insère à l'intérieur du conduit et que le clapet s'ouvre et se ferme librement.

RACCORD DU CÂBLAGE



- 14 Connectez le **câble électrique de la maison** avec les fils de la hotte - le NOIR avec le NOIR, le BLANC avec le BLANC, et le VERT ou FIL NU avec la **vis de mise à la terre**. Remplacez le couvercle du boîtier de connexion électrique.
- 15 **POUR MODÈLE 76 CM (30 PO) UNIQUEMENT :** Remplacez le manchon de caoutchouc, rebranchez le connecteur du panneau d'éclairage gauche et reposez le panneau d'éclairage à l'aide des deux (2) vis enlevées à l'étape 6.
- 16 Reposez le **panneau inférieur** avec les 6 **vis** enlevées à l'étape 5.
- 17 Installez les filtres en aluminium.

POUR CHANGER LES AMPOULES



ATTENTION : Les ampoules peuvent être très chaudes. Pour plus d'informations, voir l'emballage de l'ampoule.

Installez (4) **ampoules halogènes** (incluses avec la hotte). Utilisez des ampoules halogènes avec écran de 120 V, 50 W - MR16 à culot GU10.

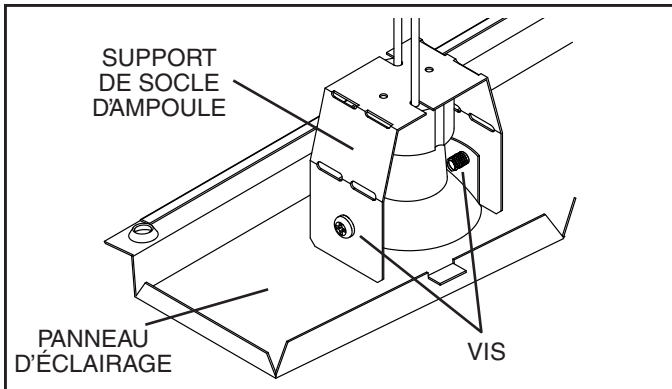
REMARQUE : **Vous pouvez utiliser la ventouse** (fournie avec la hotte) pour installer ou enlever les ampoules.

Alignez les bornes de l'ampoule sur la grande ouverture du socle, puis poussez l'ampoule vers la hotte et tournez-la dans le sens horaire jusqu'à ce qu'elle soit bien appuyée.

La position du socle de l'ampoule (sa profondeur) est réglable et peut exiger un ajustement lorsque :

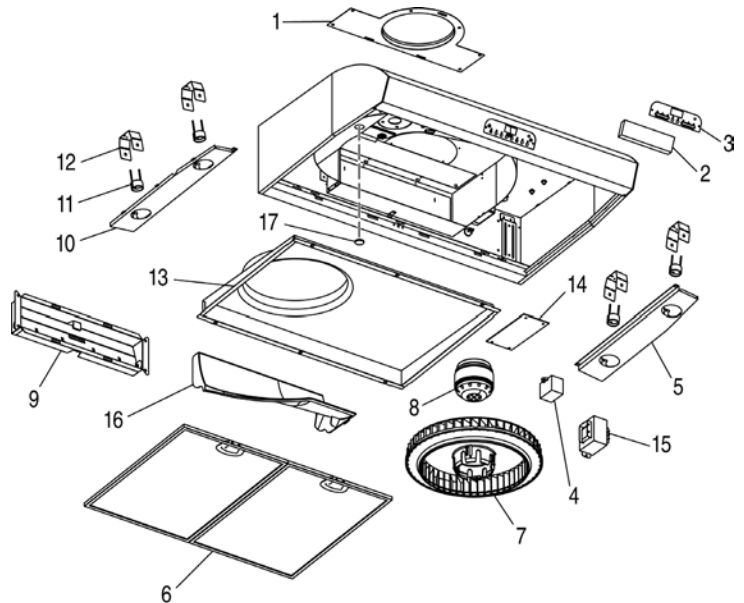
- a) certaines marques d'ampoule sont difficiles à installer.
- b) l'ampoule dépasse trop sous le panneau d'éclairage.

DESCRIPTION



Pour changer la profondeur des socles d'ampoule :

1. Enlevez le panneau inférieur (voir étape 5).
2. Enlevez les 2 vis du panneau d'éclairage et le panneau d'éclairage. Gardez les vis de côté.
3. Desserrez les 2 vis retenant le support du socle d'ampoule au panneau d'éclairage.
4. Réglez le support / socle à la profondeur voulue.
5. Resserrez les vis fermement.
6. Reposez le panneau d'éclairage et le panneau inférieur.



GARANTIE

Garantie limitée d'un an Broan-NuTone

Broan-NuTone garantit à l'acheteur original que les produits vendus en vertu de la présente sont libres de tout vice de matériau ou de fabrication pour une période d'un an à compter de la date d'achat originale. CETTE GARANTIE NE COMPORTE AUCUNE AUTRE GARANTIE, EXPRESSE OU TACITE, Y COMPRIS, MAIS SANS S'Y LIMITER, LES GARANTIES TACITES DE VALEUR MARCHANDE OU D'ADAPTATION À UN USAGE PARTICULIER.

Durant cette période d'un an, Broan-NuTone réparera ou remplacera gratuitement, à sa discrétion, tout produit ou toute pièce jugés défectueux dans des conditions normales d'utilisation.

CETTE GARANTIE NE S'APPLIQUE PAS AUX TUBES FLUORESCENTS ET AUX DÉMARREURS, NI AUX AMPOULES HALOGÈNES OU INCANDESCENTES, FUSIBLES, FILTRES, CONDUITS, CAPUCHONS DE TOIT, CAPUCHONS MURAUX ET AUTRES ACCESSOIRES POUR CONDUITS. Cette garantie ne couvre pas (a) les frais d'entretien ou de service normaux ni (b) tout produit ou toute pièce soumis à un abus, une négligence, un accident, un entretien ou une réparation inadéquats (autres que ceux effectués par Broan-NuTone), une mauvaise installation ou une installation contraire aux instructions recommandées.

La durée de toute garantie tacite est limitée à la période d'un an stipulée pour la garantie expresse. Certains territoires ou provinces interdisant de limiter la durée d'une garantie tacite, la limitation ci-dessus peut ne pas s'appliquer à votre situation.

L'OBLIGATION POUR BROAN-NUTONE DE RÉPARER OU DE REMPLACER LE PRODUIT, À SA DISCRÉTION, CONSTITUE LE SEUL RECOURS DE L'ACHETEUR EN VERTU DE LA PRÉSENTE GARANTIE. BROAN-NUTONE NE PEUT ÊTRE TENUE RESPONSABLE DES DOMMAGES INDIRECTS OU CONSÉCUTIFS NI DES DOMMAGES-INTÉRÊTS PARTICULIERS DÉCOULANT DE L'UTILISATION OU DU RENDEMENT DU PRODUIT. Certains territoires ou provinces ne permettant pas la limitation ou l'exclusion des dommages indirects ou consécutifs, la limitation ci-dessus peut ne pas s'appliquer à votre situation.

La présente garantie vous confère des droits spécifiques reconnus par la loi. D'autres droits pourraient également vous être accordés selon la législation locale en vigueur. La présente garantie remplace toutes les autres garanties précédentes.

Pour vous prévaloir de cette garantie, vous devez (a) aviser Broan-NuTone à l'adresse ou au numéro de téléphone indiqués ci-dessous, (b) donner le numéro de modèle du produit et le numéro d'identification de la pièce et (c) décrire la nature de la défectuosité du produit ou de la pièce. Lors de votre demande de garantie, vous devez présenter une preuve de la date d'achat originale.

Broan-NuTone LLC, 926 W. State Street, Hartford, Wisconsin 53027 www.broan.com 800-558-1711
Broan-NuTone Canada, Inc., 1140 Tristar Drive, Mississauga, Ontario L5T 1H9 www.broan.ca 877-896-1119

Rev. 08/2007

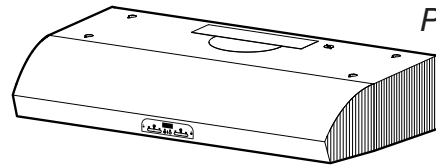
REPÈRE	N° DE PIÈCE	DESCRIPTION
1	97018567	Plaque de conduit rond de 18 cm (7 po) (comprend quincaillerie de montage)
2	97018257	Ensemble d'interface utilisateur noire (comprend interface, plaque indicatrice, quincaillerie de montage)
3	99528259	Plaque indicatrice, noire
4	97018568	Ensemble de condensateur (comprend écrous à fil, vis de montage)
5	97018227	Panneau d'éclairage inox DROIT (comprend la quincaillerie de montage)
6	97018205	Ensemble de filtres pour hotte de 76 cm (30 po) (2 par sac)
	97018206	Ensemble de filtres pour hotte de 91 cm (36 po) (2 par sac)
	97018207	Ensemble de filtres pour hotte de 106 cm (42 po) (3 par sac)
7	97018569	Roue à ailettes (comprend attache à ressort)
8	97018570	Ensemble de moteur (comprend moteur, isolateurs, quincaillerie de montage)
9	97018571	Clapet / raccord de conduit (incluant la quincaillerie de montage)
10	97018231	Panneau d'éclairage inox GAUCHE (comprend la quincaillerie de montage)
11	97017731	Socle d'ampoule (comprend socle d'ampoule, écrous à fil, vis de montage)
12	97018233	Support de socle d'ampoule
13	97018572	Panneau inférieur, hotte de 76 cm (30 po) (comprend quincaillerie de montage)
	97018573	Panneau inférieur, hotte de 91 cm (36 po) (comprend quincaillerie de montage)
	97018574	Panneau inférieur, hotte de 106 cm (42 po) (comprend quincaillerie de montage)
14	97018260	Circuit imprimé
15	97018262	Transformateur (comprend la quincaillerie de montage)
16	97018575	Répartiteur vertical
17	97018582	Manchon en caoutchouc
*	97017735	Sac de pièces
*	99526707	Ventouse
*	97018252	Détecteur de chaleur
*	97018253	Fusible
*	97018261	Ensemble de câble-ruban (en contient 3)
*	V05921	Ampoule halogène 50 W GU10

* Non illustré

Veuillez commander les pièces par N° PIÈCE - et non par N° REPÈRE.

EVOLUTION™ 4 Campanas serie QP4

Página 17



LEA Y CONSERVE ESTAS INSTRUCCIONES

! SOLAMENTE PARA COCINAR EN CASA !

ADVERTENCIA

PARA REDUCIR EL RIESGO DE INCENDIOS, DESCARGAS ELÉCTRICAS O LESIONES PERSONALES, OBSERVE LAS SIGUIENTES PRECAUCIONES:

1. Use la unidad sólo de la manera indicada por el fabricante. Si tiene preguntas, comuníquese con el fabricante a la dirección o al número telefónico que se incluye en la garantía.
2. Antes de dar servicio a la unidad o de limpiarla, interrumpa el suministro eléctrico en el panel de servicio y bloquee los medios de desconexión del servicio para evitar que la electricidad se reanude accidentalmente. Cuando no sea posible bloquear los medios de desconexión del servicio, fije firmemente una señal de advertencia (como una etiqueta) en un lugar visible del panel de servicio.
3. Una o más personas calificadas deben realizar el trabajo de instalación y el cableado eléctrico siguiendo todos los códigos y normas correspondientes, incluidos los códigos y normas de construcción específicos para incendios.
4. Con el fin de evitar la contracorriente se necesita suficiente aire para que se lleve a cabo una combustión adecuada y la extracción de los gases a través del tubo de humos (chimenea) del equipo quemador de combustible. Siga las directrices y las normas de seguridad del fabricante del equipo de calefacción, como las publicadas por la Asociación Nacional de Protección contra Incendios (National Fire Protection Association, NFPA), y la Sociedad Americana de Ingenieros en Calefacción, Refrigeración y Aire Acondicionado (American Society of Heating, Refrigeration and Air Conditioning Engineers, ASHRAE), y las autoridades de los códigos locales.
5. Este producto podría tener bordes afilados. Trabaje con cuidado para evitar cortes y abrasiones durante la instalación y la limpieza.
6. Al cortar o perforar a través de la pared o del cielo raso, tenga cuidado de no dañar el cableado eléctrico ni otros servicios ocultos.
7. Los ventiladores en conductos siempre deben ventearse hacia el exterior.
8. Utilice únicamente conductos metálicos.
9. No use este ventilador junto con ningún dispositivo de control de velocidad de estado sólido.
10. Como alternativa, se puede instalar este producto con el juego de cable de alimentación aprobado por UL y diseñado para el producto, siguiendo las instrucciones incluidas con el cable.
11. Esta unidad debe estar conectada a tierra.

PARA REDUCIR EL RIESGO DE INCENDIO PROVOCADO POR GRASA PRESENTE EN LA ESTUFA:

1. Nunca deje desatendidas las unidades de la superficie cuando estén en ajustes altos de calor. Los alimentos en ebullición provocan derrames grasosos y con humo que se podrían inflamar. Caliente el aceite lentamente en ajustes de calor bajo o medio.
2. Siempre ENCIENDA la campana cuando esté cocinando a altas temperaturas o flamee alimentos (por ejemplo crepas Suzette, cerezas Jubilee, bistec con pimienta flameado).
3. Limpie frecuentemente los ventiladores. No permita la acumulación de grasa en el ventilador ni en el filtro.
4. Use una cacerola del tamaño adecuado. Siempre use utensilios de cocina que sean apropiados para el tamaño del elemento de la superficie.

ADVERTENCIA

PARA REDUCIR EL RIESGO DE LESIONES A LAS PERSONAS EN CASO DE UN INCENDIO PRODUCIDO POR GRASA EN UNA ESTUFA, OBSERVE LO SIGUIENTE*:

1. APAGUE LAS LLAMAS con una tapa de ajuste exacto, una charola para galletas o una bandeja de metal, y después apague el quemador. PROCEDA CON CUIDADO PARA EVITAR QUEMADURAS. Si las llamas no se apagan inmediatamente, EVACUE EL ÁREA Y LLAME A LOS BOMBEROS.
2. NUNCA LEVANTE UNA CACEROLA EN LLAMAS. Podría quemarse o propagar el incendio.
3. NO USE AGUA, incluidos trapos o toallas de cocina mojados; puede producirse una explosión violenta de vapor.
4. Use un extintor SÓLO si:
 - A. Sabe que tiene un extintor clase ABC, y ya sabe cómo usarlo.
 - B. El incendio es pequeño y está confinado en el área en la que se inició.
 - C. Va a llamar al Departamento de Bomberos.
 - D. Puede combatir el incendio teniendo la espalda orientada hacia una salida.

*Basado en "Kitchen Fire Safety Tips" (Sugerencias para la seguridad contra incendios en la cocina) publicado por NFPA.

PRECAUCIÓN

1. Sólo debe usarse bajo techo.
2. Sólo para usarse como medio de ventilación general. No debe usarse para la extracción de materiales ni vapores peligrosos o explosivos.
3. Para evitar daños a los cojinetes del motor y rotores ruidosos o desbalanceados, mantenga la unidad eléctrica al resguardo de rociados de yeso, polvo de construcción, etc.
4. No use equipo para cocinar mayor de 70,000 BTU/hr, pues el motor ventilador se apagará de manera intermitente.
5. Este motor de campana tiene una protección contra sobrecargas térmicas que automáticamente apagará el motor en caso de sobrecalentamiento. El motor reanudará su funcionamiento cuando se enfríe. Si el motor continúa apagándose y encendiéndose, solicite servicio para la campana.
6. La parte superior de la campana NO DEBE ESTAR A MENOS de 30 pulg. (76 cm) y a un máximo de 36 pulg. (91 cm) por arriba de la estufa, para captar mejor las impurezas que surgen al cocinar.
7. Esta campana no está diseñada para usarse como repisa.
8. Lea la etiqueta de especificaciones que tiene el producto para ver información y requisitos adicionales.

Registre su producto en Internet en: www.broan.com

Aviso al instalador: Deje este manual con el dueño de la casa.
Aviso al dueño de la casa: En la página 18 encontrará las instrucciones de limpieza, mantenimiento y funcionamiento.

CONTENIDO

SE INCLUYE CON LA CAMPANA:



LIMPIEZA Y MANTENIMIENTO

Por motivos de desempeño, apariencia y salud, limpie el filtro, el ventilador y las superficies que tengan grasa. Utilice **únicamente** un trapo limpio y una solución de detergente suave en superficies de acero inoxidable y pintadas.

Limpie los filtros completamente metálicos en la lavaplatos con un detergente sin fosfatos. El filtro se puede decolorar si se utilizan detergentes con fosfato o como resultado de la condición del agua local, pero esto no afectará el desempeño del filtro. Esta decoloración no está cubierta por la garantía.

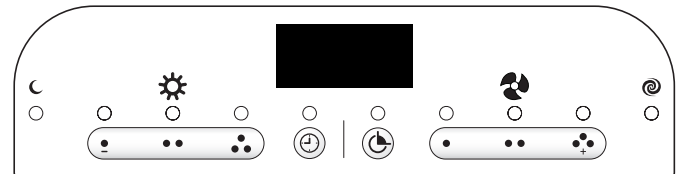
El motor está permanentemente lubricado y nunca necesitará ponerle aceite. Si los cojinetes del motor están haciendo ruido excesivo o inusual, reemplace el motor con el motor de servicio exacto. También debe reemplazar el impulsor.

Utilice bombillas de halógeno con escudo protector de 120 V, 50 W (MR16 con base GU10).

FUNCIONAMIENTO

ENCIENDA siempre la campana antes de comenzar a cocinar, a fin de establecer un flujo de aire en la cocina. Después de apagar la estufa, deje que la campana funcione durante unos cuantos minutos para despejar el aire.

Para hacer funcionar la campana, haga lo siguiente:



NOTA

Los botones y se usan para ajustar y alternar los ajustes del menú y del temporizador.

LUZ (3 interruptores de botones y 4 ajustes de luces)

Enciende la luz en el ajuste bajo y activa un indicador verde arriba del botón. Al presionar el botón una segunda vez se activa el ajuste de la hora nocturna y se ilumina el indicador .

Enciende la luz en el ajuste medio y activa un indicador verde arriba del botón.

Enciende la luz en el ajuste alto y activa un indicador verde arriba del botón.

Al presionar y sostener el mismo botón de nuevo se apagará la luz. Con el ajuste de hora nocturna activado, al presionar y sostener el botón de luz en ajuste alto hará que se apague el ajuste de la hora nocturna.

VENTILADOR (3 interruptores de botones y 4 velocidades de ventilador)

Enciende el ventilador en la velocidad baja y activa un indicador verde arriba del botón.

Enciende el ventilador en la velocidad media y activa un indicador verde arriba del botón.

Enciende el ventilador en la velocidad alta y activa un indicador verde arriba del botón. Al presionar el botón una segunda vez se activa la velocidad de refuerzo del ventilador y se ilumina el indicador .




Al presionar y sostener el mismo botón de nuevo se apagará el ventilador.

Cuando está activa la velocidad de refuerzo, al presionar y sostener el botón de alta velocidad se apagará la velocidad de refuerzo.










NOTA

Esta campana utiliza un ventilador de compensación, diseñado para obtener un mejor desempeño y menores niveles de ruido. Como resultado, tal vez se dé cuenta de que las impurezas al cocinar se atraen más hacia un lado, o aparentan atraerse con más rapidez de lo que parece en el lado opuesto. Esto es totalmente normal. La campana ha sido diseñada y probada para captar bien las impurezas y los olores al cocinar en condiciones normales, sin importar la ubicación donde se cocine en la estufa. Tome en cuenta que al cocinar en los quemadores traseros siempre tendrá como resultado una mejor captación de las impurezas, sin importar el diseño de la campana.




APAGADO CON RETARDO DE 10 MINUTOS

Cuando el ventilador de la campana esté encendido (en cualquier velocidad), presione el botón  para activar la función de apagado con retardo. Cuando se activa, el ventilador de la campana se apagará automáticamente después de que transcurran 10 minutos. Esta función se activa cuando aparece lo siguiente en la pantalla de diodos LED: Un indicador verde iluminado arriba del botón de retardo , un conteo numérico descendente (10 a 0) y un LED que gira hacia la derecha. Si presiona otra vez el botón de retardo, el conteo descendente se detendrá. Si presiona otra vez el botón , se reanudará el conteo descendente del retardo. Al presionar y sostener el botón se apagará la función.


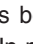





TEMPORIZADOR

Presione el botón  para activar la función de ajuste del temporizador. Use los botones  y  para retrasar o avanzar el ajuste del temporizador a la duración deseada. Cuando llegue al ajuste deseado del temporizador, deje 3 segundos sin presionar otro botón, o presione de nuevo el botón . El temporizador se activará y se visualizará el conteo descendente en la pantalla de LED, junto con un indicador verde arriba del botón . Después de que el temporizador llegue a "0:00", se escuchará un sonido audible. El sonido continuará hasta que se presione de nuevo el botón del temporizador . El conteo del temporizador se puede detener en cualquier momento presionando de nuevo . Si presiona otra vez el botón , se reanudará el conteo descendente del temporizador. Al presionar y sostener el botón  se apagará la función. Tome en cuenta que cuando se activan juntas las funciones de temporizador y retardo, la función del temporizador estará iluminada en la pantalla de LED; y el conteo descendente del apagado con retardo estará activo, pero no se verá.




MENÚ DE FUNCIONES

Su campana cuenta con muchas funciones que se pueden acceder y ajustar desplazándose por el menú de funciones. La campana debe estar apagada para poder activar y acceder al menú. Si presiona el botón  cuando el ventilador de la campana esté apagado, se activará el menú de funciones. Al presionar de nuevo el botón  cuando el menú de funciones esté activo, se desplazará a través de las diversas funciones que se pueden ajustar/configurar. Cuando el menú de funciones está activo, si no se presiona un botón en un plazo de 10 segundos, o después de desplazarse por todos los ajustes del menú, saldrá automáticamente del menú de funciones y todos los ajustes seleccionados quedarán guardados. Un indicador verde arriba del icono  se iluminará cuando el menú de funciones esté activo. Las siguientes funciones se pueden ajustar en secuencia:





AJUSTES DEL RELOJ

Presione una vez el botón ; las "horas" comenzarán a destellar en la pantalla de LED. Use los botones  y  para ajustar el horario adecuado en el reloj. Un pequeño indicador se iluminará en la esquina izquierda de la pantalla de LED para designar "pm". Después de configurar las horas, presione el botón  para hacer avanzar al menú a la selección de minutos. Los minutos comenzarán a destellar en la pantalla de LED. Use los botones  y  para configurar los minutos. Presione otra vez el botón  para que avance el menú para seleccionar los ajustes de "pantalla:"


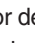
PANTALLA (el valor predeterminado de fábrica es que la pantalla está: ENCENDIDA)

La pantalla de LED mostrará la función de la pantalla, -d-. Use el botón  o  para encender (d on) o apagar (doFF) la pantalla de LED. Cuando se selecciona la función de pantalla apagada (doFF), se inhabilita la iluminación del reloj en la pantalla de LED. Presione otra vez el botón  para que avance el menú para seleccionar los ajustes de "Dormir".

MODO DORMIR (valor predeterminado de fábrica: APAGADO)

La pantalla de LED mostrará la función de "Dormir", -S-. Use el botón  o  para activar (S on) o apagar (S off) la función de Dormir. Cuando seleccione la función de activar Dormir (S on), la pantalla de LED y los indicadores LED de las luces/el ventilador están inhabilitados. Las funciones del sensor de luz ambiental, el apagado con retardo y el temporizador también estarán inhabilitadas. Todos los controles de funcionamiento del ventilador y las luces, incluido el sistema Heat Sentry, siguen activos. Presione otra vez el botón  para que avance el menú para seleccionar los ajustes de "Sensor de luz ambiental". Nota: Para tener acceso al menú de funciones cuando esté activo el modo Dormir, presione y sostenga el botón  durante 2 segundos.

SENSOR DE LUZ AMBIENTAL (valor predeterminado de fábrica: Nivel 1 activado)

El sensor de luz ambiental tiene dos ajustes de nivel. Cuando alguno de los dos está activo, el sensor de luz detectará un nivel de luz bajo en su cocina, y encenderá automáticamente las luces de tarea en la campana según el ajuste del horario nocturno. Los otros ajustes de la luz siguen funcionando. Si los selecciona cuando el sensor de luz ambiental esté activo, anularán temporalmente el sensor de luz ambiental hasta que se apaguen. El ajuste del sensor de luz ambiental de nivel 1 (Aon1) va a requerir que la cocina esté más oscura que el ajuste de nivel 2 (Aon2) antes de activar el ajuste de horario nocturno. La pantalla de LED mostrará la función del sensor de luz ambiental, -A-. Use el botón  o  para seleccionar al ajuste del sensor en Aon1, Aon2 o AoFF. El ajuste de apagado (AoFF) desactiva la función del sensor, de tal manera que el funcionamiento de la luz en horario nocturno es manual.

Tome en cuenta que puede salir en cualquier momento del menú de funciones dejando de presionar cualquier botón durante 10 segundos, o desplazándose por todo el menú de funciones.

SISTEMA HEAT SENTRY

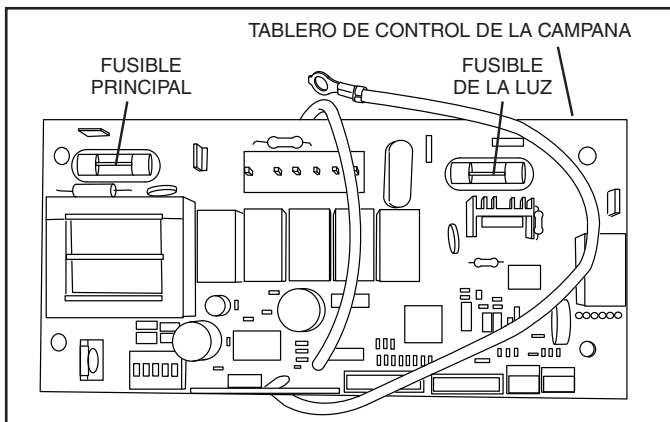
Esta campana está equipada con un sistema Heat Sentry de avanzada que vigila el exceso de temperatura y ajusta automáticamente al ventilador en la velocidad adecuada.

1) **Si el ventilador está encendido**, el sistema Heat Sentry aumentará la velocidad del ventilador cuando la temperatura está elevada. Si la temperatura sigue subiendo, el sistema Heat Sentry seguirá aumentando la velocidad del ventilador hasta que la temperatura se estabilice o se reduzca. La luz destellante arriba del botón del ventilador muestra la velocidad del ventilador del sistema Heat Sentry. Una vez que se ha reducido la temperatura, el sistema regresará al ventilador a su velocidad original.

2) **Si el ventilador está apagado**, el sistema Heat Sentry encenderá automáticamente el ventilador a su velocidad máxima cuando la temperatura esté por arriba de lo normal. Cuando el sistema está encendido, la luz arriba del botón de alta velocidad del ventilador se encenderá y apagará. Después de que la temperatura baje a valores normales, la velocidad del ventilador se reducirá hasta que se estabilice la temperatura y luego el ventilador se apagará.

Nota: La versión canadiense no tiene esta función.

FUSIBLES



El **Tablero de control de la campana** contiene un **fusible principal** y un **fusible de la luz** para proteger los controles de las sobrecargas de energía. Si un fusible está abierto (se fundió), el indicador verde del ventilador o de la luz no funcionará adecuadamente cuando se presionen los botones del ventilador o de la luz, y ni el ventilador ni las luces se encenderán.

Puede comprar fusibles nuevos en una tienda de suministros electrónicos de su localidad. Utilice fusibles tipo cartucho de acción rápida de 8 A, 120 V, de 5 mm de diámetro y 20 mm de largo.

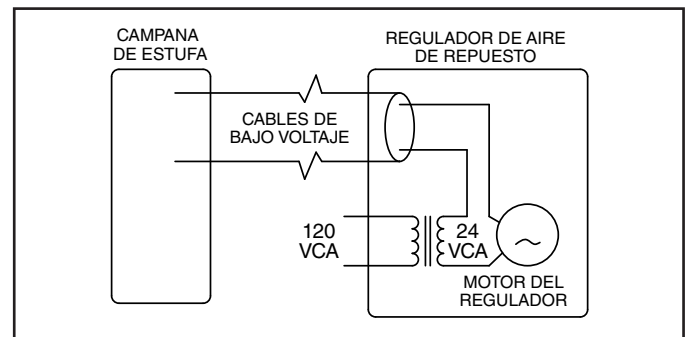
Para reemplazar un fusible (lo debe hacer una persona calificada):

1. Desconecte la energía en la entrada de servicio.
2. Retire los filtros y el recipiente inferior.
3. Quite y revise el fusible. Si **no** está abierto (fundido), necesitará realizar diagnósticos adicionales.

REGULADOR DE AIRE DE REPUESTO

La campana es compatible con el regulador de aire de repuesto Broan, Modelo MD6T o Modelo MD8T (opcional). Se compra por separado.

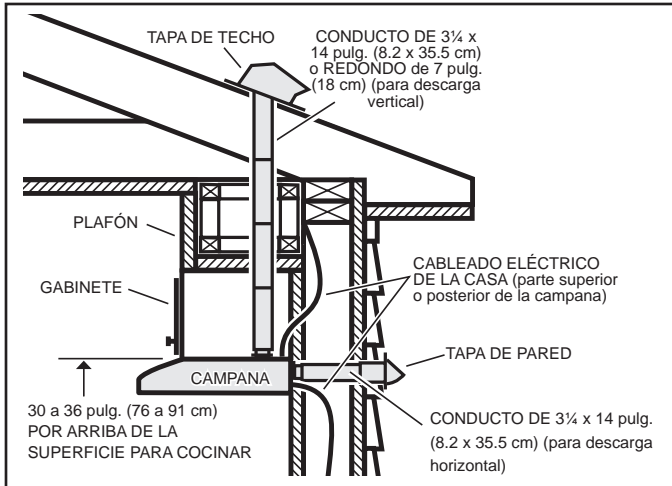
Realice la conexión del regulador de aire de repuesto con cableado de bajo voltaje, como se ilustra. Consulte información adicional en las instrucciones del regulador de aire de repuesto.



CONTROL REMOTO

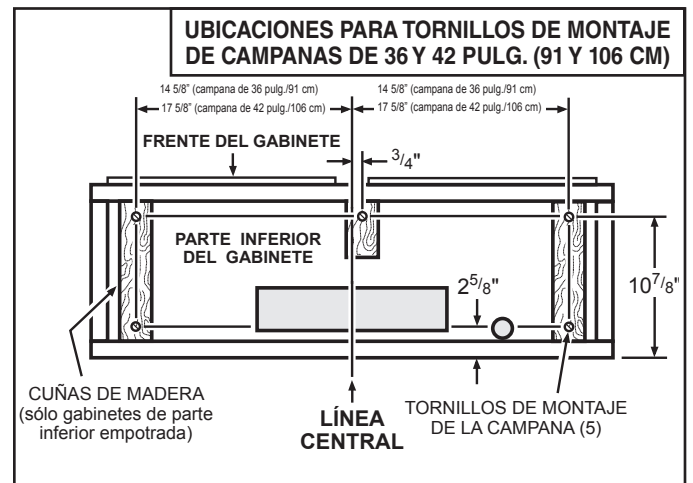
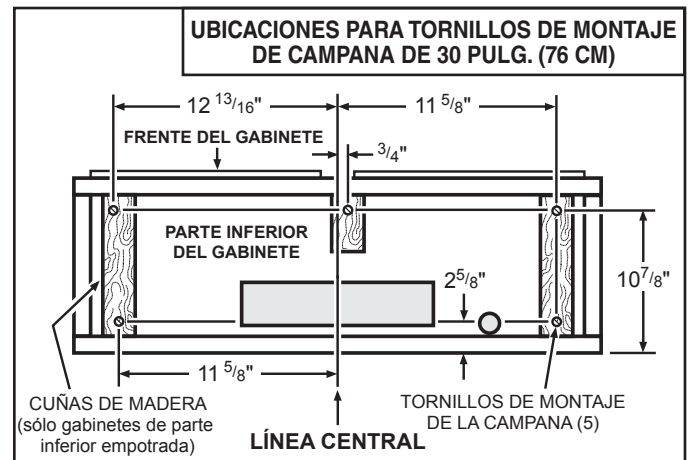
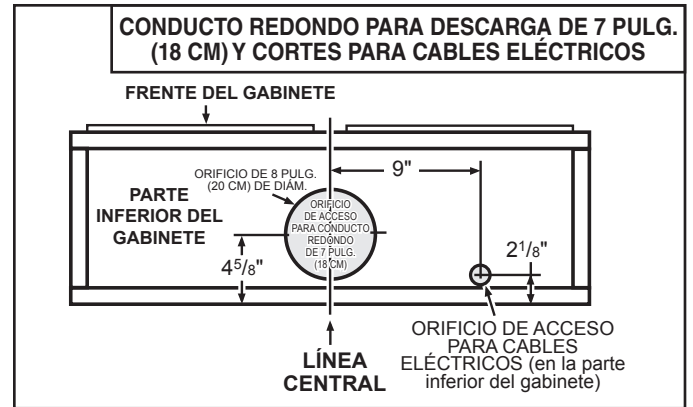
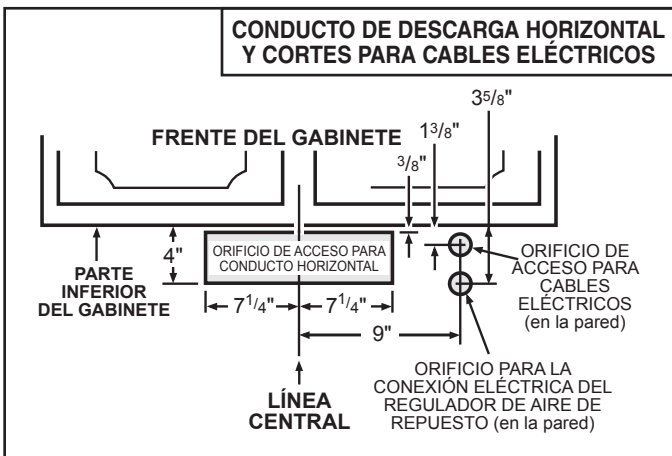
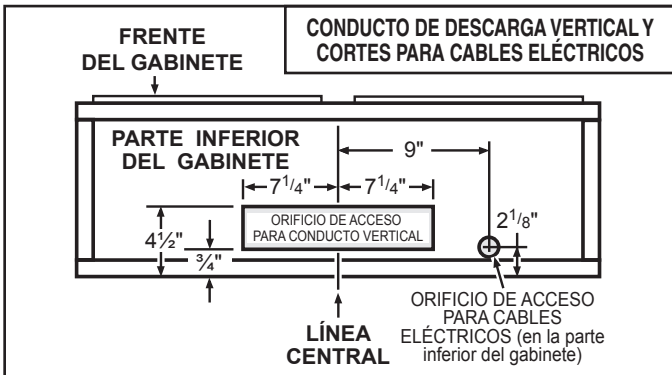
La campana es compatible con el control remoto de RF de Broan, Modelo BCR1 (opcional). Se compra por separado.

PREPARE EL LUGAR DONDE SE VA A INSTALAR LA CAMPANA



1 Determine si la descarga de la campana va a ser vertical (conducto de 3/4 x 14 pulg. [8.2 x 35.5 cm] o redonda de 7 pulg. [18 cm]) u horizontal (sólo conducto de 3/4 x 14 pulg. [8.2 x 35.5 cm]). Para descarga vertical u horizontal, coloque la red de conductos entre el lugar donde va a instalar la campana y la tapa de techo o la tapa de pared. Para obtener los mejores resultados, utilice una cantidad mínima de transiciones y codos.

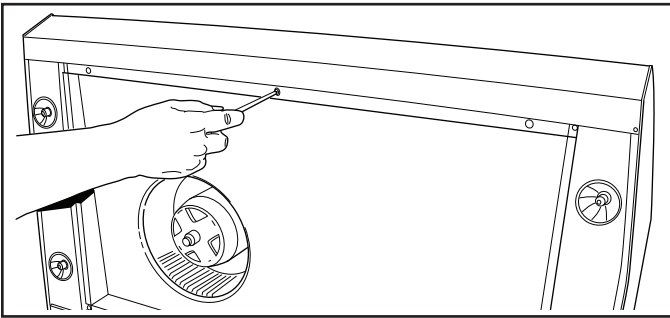
2 Guíese por el diagrama correspondiente, a continuación, para colocar los conductos y hacer el corte exacto para la conexión eléctrica en el gabinete o en la pared.



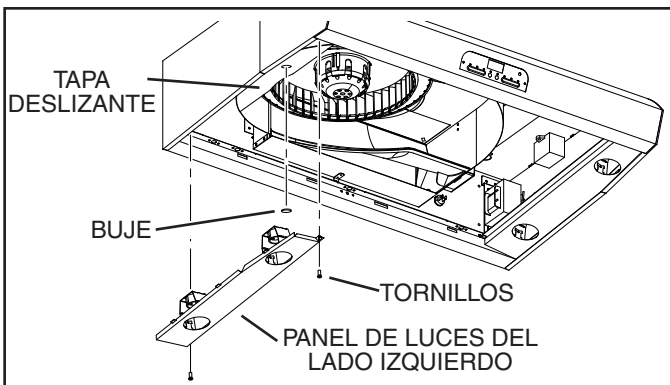
PREPARE LA CAMPANA

3 Retire la bolsa con piezas y el conector para regulador/conducto de 3¼ x 14 pulg. (8.2 x 35.5 cm) del interior de la caja de herrajes, incluida con la campana.

4 Retire toda la película protectora de polietileno de la campana.

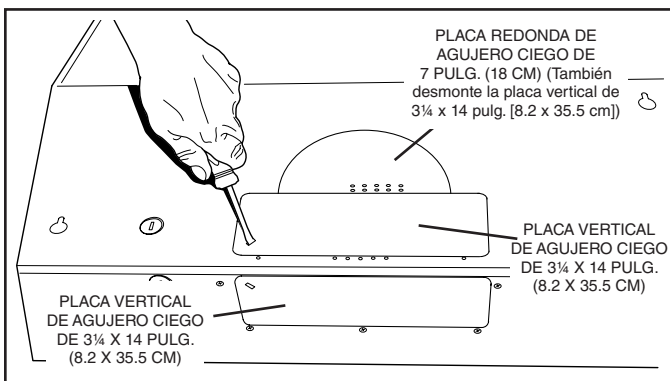


5 Quite los 6 **tornillos** que sostienen el **recipiente inferior** a la campana. Deje a un lado el recipiente inferior y los tornillos.

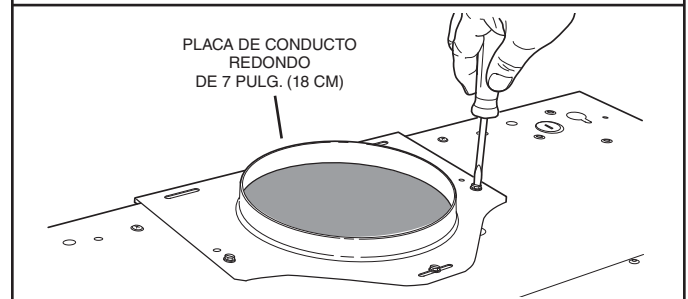
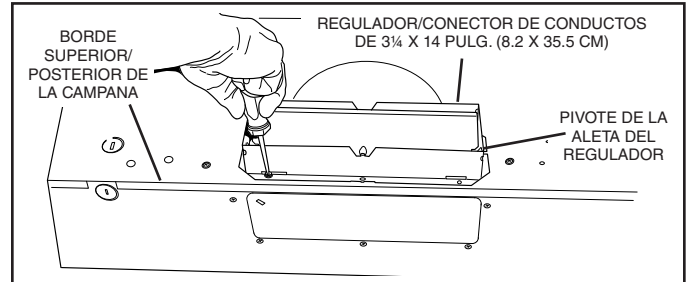


6 **SÓLO PARA EL MODELO DE 30 PULG. (76 CM):** Retire el **panel de luces del lado izquierdo** quitando dos (2) **tornillos** y desconectando el conector eléctrico.

Quite el **buje de caucho** en la **tapa deslizable**. Deje las piezas a un lado.



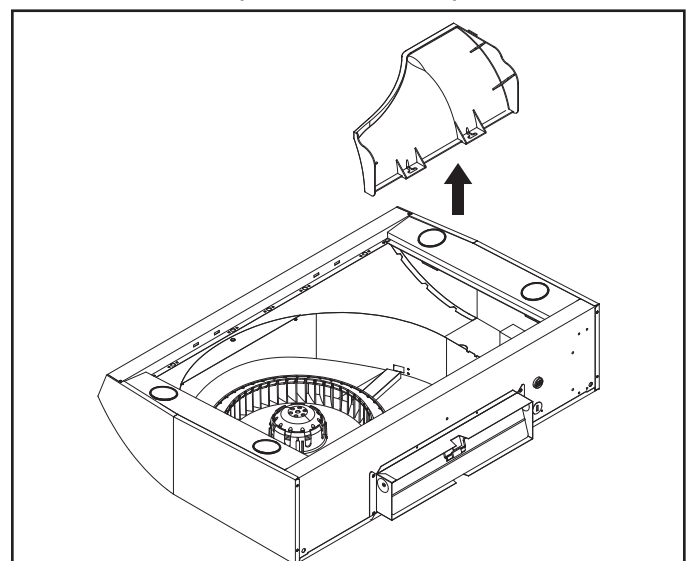
7 Retire las placas de **agujero ciego** vertical de 3¼ x 14 pulg. (8.2 x 35.5 cm), horizontal de 3¼ x 14 pulg. (8.2 x 35.5 cm), o redonda de 7 pulg. (18 cm), según corresponda a su método de conductos.



8 **SÓLO PARA INSTALAR EL CONDUCTO VERTICAL REDONDO DE 7 PULG. (18 CM) Y DE 3¼ X 14 PULG. (8.2 X 35.5 CM):** Acople el conector del **regulador de tiro/conducto de 3¼ pulg. x 14 pulg. (8.2 x 35.5 cm)** (si está usando el conducto de 3¼ pulg. x 14 pulg. [8.2 x 35.5 cm]) o la **placa redonda de 7 pulg. (18 cm)** (si está usando el conducto redondo de 7 pulg. [18 cm]) por la abertura del agujero ciego.

Notas:

Para acomodar los conductos descentrados: el conector del regulador de tiro/conducto de 3¼ x 14 pulg. (8.2 x 35.5 cm) puede instalarse a una distancia hasta de 1/2 pulg. (1.2 cm) desde el centro de la campana hacia cualquier lado, y la placa del conducto redondo de 7 pulg. (18 cm) puede instalarse a 1/2 pulg. (1.2 cm) desde el centro de la campana hacia cualquier lado. Instale el conector del regulador de tiro/conducto de 3¼ x 14 pulg. (8.2 x 35.5 cm) con el **pivote de aleta del regulador** más cercano al borde **superior/trasero de la campana**.



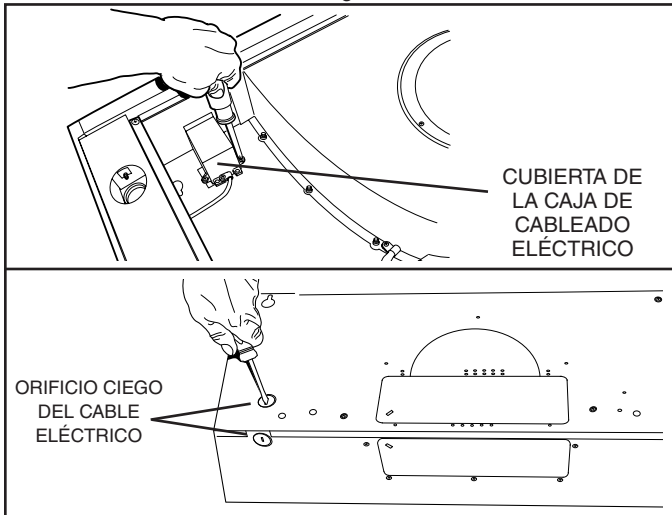
9 **SÓLO PARA INSTALACIÓN HORIZONTAL DE 3¼ X 14 PULG. (8.2 X 35.5 CM):** Retire y deseche la **placa desviadora vertical**.

INSTALE LA CAMPANA

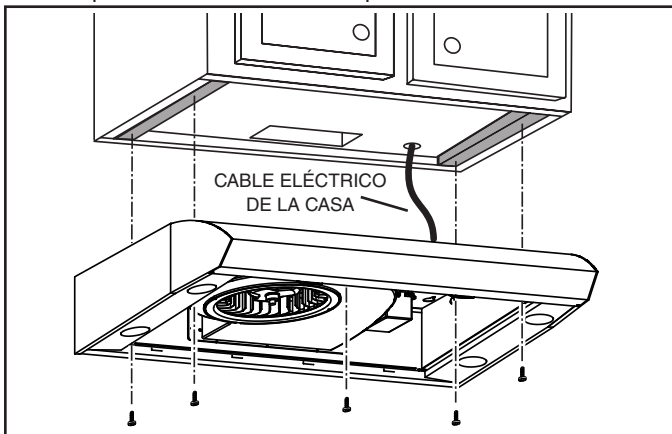


ADVERTENCIA

Para reducir el riesgo de una descarga eléctrica, desconecte el suministro eléctrico en el panel de servicio. Bloquee el panel de servicio o póngale una etiqueta de seguridad para evitar que alguien conecte accidentalmente la energía eléctrica.

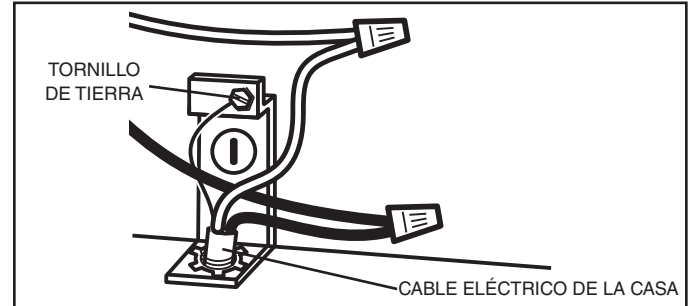


- 10 Quite la **cubierta de la caja de cableado eléctrico** del interior de la campana y el agujero ciego correspondiente del cableado eléctrico desde la parte superior o trasera de la campana.



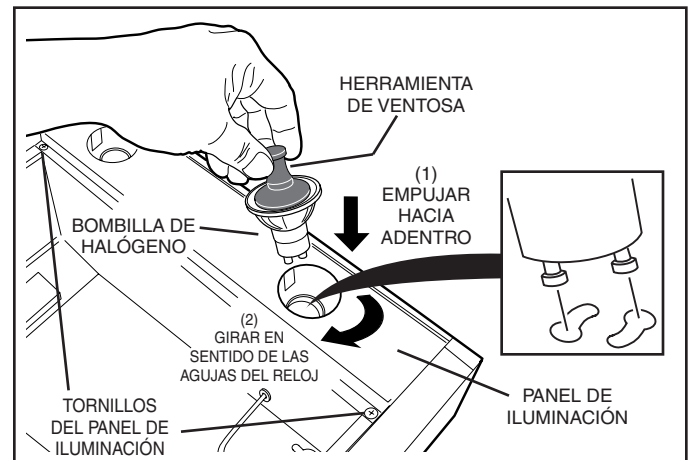
- 11 Tienda el **cable eléctrico de la casa** entre el panel de servicio y la campana. Conecte el cable eléctrico a la campana con la abrazadera apropiada.
- 12 Cuelgue la campana de los (4) orificios de montaje insertados parcialmente en las posiciones del gabinete (mostrado en las ilustraciones de "PREPARE EL LUGAR DONDE SE VA A INSTALAR LA CAMPANA"). La bolsa de piezas contiene los tornillos de montaje. Deslice la campana hacia la pared hasta que las cabezas de los tornillos de montaje queden conectadas en el extremo angosto de los orificios tipo bocallave que están en la parte superior de la campana. Apriete bien los tornillos. Agregue el quinto tornillo de montaje en el agujero central de la campana y apriete con firmeza.
- 13 Conecte el sistema de conductos a la campana y ponga cinta para conductos en las uniones para fijarlas y sellarlas. Asegúrese de que el conector del regulador de tiro/conducto entre a los conductos y que el regulador de tiro pueda abrirse y cerrarse libremente.

CONECTE EL CABLEADO



- 14 Conecte el **cable eléctrico de la casa** al cableado de la campana: cable NEGRO con NEGRO, BLANCO con BLANCO y VERDE o SIN FORRO al **tornillo de tierra**. Vuelva a colocar la cubierta de la caja de cableado eléctrico.
- 15 **SÓLO PARA EL MODELO DE 30 PULG. (76 CM):** Reemplace el buje de caucho, reconecte el conector eléctrico del panel de iluminación del lado izquierdo y vuelva a fijar el panel de luces con los dos (2) tornillos que quitó en el paso 6.
- 16 Vuelva a fijar el **recipiente inferior** con los 6 **tornillos** que quitó en el paso 6.
- 17 Instale filtros de aluminio.

CÓMO CAMBIAR LAS BOMBILLAS



PRECAUCIÓN: Las bombillas podrían estar calientes. Consulte la información adicional en los paquetes de las bombillas.

Instale cuatro (4) **bombillas de halógeno** (incluidas con la campana). Utilice bombillas de halógeno con escudo protector de 120 V, 50 W (MR16 con base GU10).

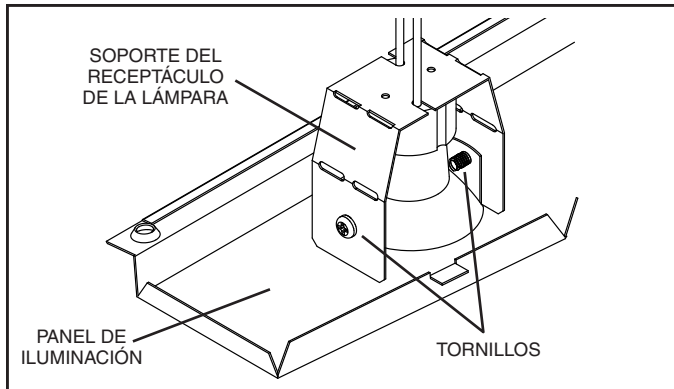
NOTA: La **herramienta de ventosa** (incluida con la campana) sirve para instalar y quitar bombillas.

Alinee las clavijas de la bombilla con la abertura de diámetro grande en el receptáculo, empuje la bombilla hacia la campana y luego gire hacia la derecha hasta que esté firmemente asentada.

La posición del receptáculo de la bombilla (profundidad) es ajustable, y podría necesitar ajuste cuando:

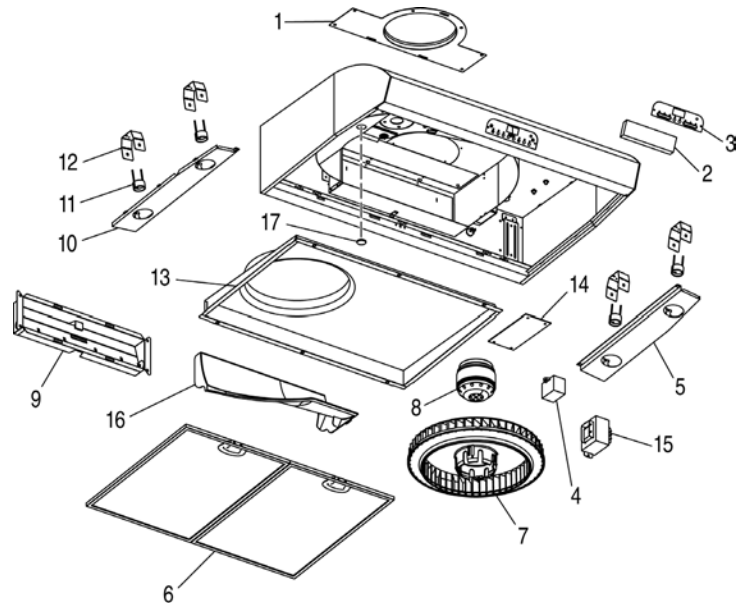
- Ciertas marcas de bombillas sean difíciles de instalar.
- La bombilla sobresalga demasiado por debajo del panel de iluminación.

PIEZAS DE SERVICIO



Para cambiar la profundidad de los receptáculos de las bombillas:

1. Quite el recipiente inferior (vea el paso 5).
2. Quite los 2 **tornillos del panel de iluminación** y el **panel de iluminación**. Deje los tornillos a un lado.
3. Afloje 2 **tornillos** que sostienen el **soporte del receptáculo de la lámpara al panel de iluminación**.
4. Ajuste el receptáculo/soporte a la profundidad deseada.
5. Vuelva a apretar los tornillos con firmeza.
6. Vuelva a colocar el panel de iluminación y el recipiente inferior.



GARANTÍA

Garantía Broan-NuTone limitada por un año

Broan-NuTone garantiza al consumidor comprador original de sus productos que dichos productos carecerán de defectos en materiales o en mano de obra por un período de un año a partir de la fecha original de compra. NO EXISTEN OTRAS GARANTÍAS, EXPLÍCITAS O IMPLÍCITAS, INCLUYENDO, ENTRE OTRAS, GARANTÍAS IMPLÍCITAS DE COMERCIALIZACIÓN O APTITUD PARA UN PROPÓSITO PARTICULAR.

Durante el período de un año, y a su propio criterio, Broan-NuTone reparará o reemplazará, sin costo alguno, cualquier producto o pieza que se encuentre defectuosa bajo condiciones normales de servicio y uso.

LA PRESENTE GARANTÍA NO CUBRE LOS TUBOS FLUORESCENTES NI SUS ARRANCADORES, BOMBILLAS DE HALÓGENO E INCANDESCENTES, FUSIBLES, FILTROS, CONDUCTOS, TAPONES DE TECHO O PAREDES Y DEMÁS ACCESORIOS PARA CONDUCTOS. Esta garantía no cubre (a) mantenimiento y servicio normales o (b) cualesquiera productos o piezas que hayan sido utilizados de forma errónea, negligente, que hayan causado un accidente, o que hayan sido reparados o mantenidos inapropiadamente (por otras compañías que no sean Broan-NuTone), instalación defectuosa, o instalación contraria a las instrucciones de instalación recomendadas.

La duración de cualquier garantía implícita se limita a un período de un año como se especifica en la garantía expresa. Algunos estados no permiten limitaciones en cuanto al tiempo de vencimiento de una garantía implícita, por lo que la limitación antes mencionada puede no aplicarse a usted.

LA OBLIGACIÓN DE BROAN-NUTONE DE REPARAR O REEMPLAZAR, SIGUIENDO EL CRITERIO DE BROAN-NUTONE, DEBERÁ SER EL ÚNICO Y EXCLUSIVO RECURSO LEGAL DEL COMPRADOR BAJO ESTA GARANTÍA. BROAN-NUTONE NO SERÁ RESPONSABLE POR DAÑOS INCIDENTALES, CONSECUENTES, O POR DAÑOS ESPECIALES QUE SURJAN A RAÍZ DEL USO O DESEMPEÑO DEL PRODUCTO. Algunos estados no permiten la exclusión o limitación de daños incidentales o consecuentes, por lo que la limitación antes mencionada puede no aplicarse a usted.

Esta garantía le proporciona derechos legales específicos, y usted puede también tener otros derechos, los cuales varían de estado a estado. Esta garantía reemplaza todas las garantías anteriores.

Para calificar para la garantía de servicio, usted debe (a) notificar a Broan-NuTone al domicilio o al número de teléfono que se menciona abajo, (b) dar el número del modelo y la identificación de la pieza, y (c) describir la naturaleza de cualquier defecto en el producto o la pieza. En el momento de solicitar servicio cubierto por la garantía, usted debe de presentar un comprobante con la fecha original de compra.

Broan-NuTone LLC, 926 W. State Street, Hartford, Wisconsin 53027 www.broan.com 800-558-1711
Broan-NuTone Canada, Inc., 1140 Tristar Drive, Mississauga, Ontario L5T 1H9 www.broan.ca 877-896-1119

Rev. 08/2007

CLAVE No.	PIEZA No.	DESCRIPCIÓN
1	97018567	Placa redonda para conducto de 7 pulg. (18 cm) (incluye piezas de montaje)
2	97018257	Montaje de interfaz del usuario, color negro (incluye interfaz, placa de identificación, piezas de montaje)
3	99528259	Placa de identificación, negra
4	97018568	Juego de capacitor (incluye tuercas de alambre, tornillo de montaje)
5	97018227	Panel de luces DERECHO de acero inoxidable (incluye piezas de montaje)
6	97018205	Juego de filtro para 30 pulg. (76 cm) (2 por bolsa)
	97018206	Juego de filtro para 36 pulg. (91 cm) (2 por bolsa)
	97018207	Juego de filtro para 42 pulg. (106 cm) (3 por bolsa)
7	97018569	Rueda de ventilador (incluye clip de resorte)
8	97018570	Juego de motor (incluye motor, aislantes, piezas de montaje)
9	97018571	Conector del regulador de tiro/conducto (incluye las piezas de montaje)
10	97018231	Panel de luces IZQUIERDO de acero inoxidable (incluye piezas de montaje)
11	97017731	Portalámpara (incluye portalámpara, tuercas para alambre, tornillos de montaje)
12	97018233	Soporte para portalámpara
13	97018572	Recipiente inferior de 30 pulg. (76 cm) (incluye piezas de montaje)
	97018573	Recipiente inferior de 36 pulg. (91 cm) (incluye piezas de montaje)
	97018574	Recipiente inferior de 42 pulg. (106 cm) (incluye piezas de montaje)
14	97018260	Tablero de circuitos
15	97018262	Transformador (incluye las piezas de montaje)
16	97018575	Desviador vertical
17	97018582	Buje de caucho
*	97017735	Bolsa de piezas
*	99526707	Herramienta de ventosa
*	97018252	Sensor de calor
*	97018253	Fusible
*	97018261	Juego de cables de listón (contiene 3)
*	V05921	Bombilla de 50 W de halógeno GU10

* No se muestra
Al pedir piezas de repuesto, indique el No. DE PIEZA, no el No. DE CLAVE

99527577B