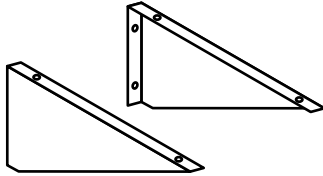


# RANGE HOOD MOUNTING BRACKETS

## Installation Instructions

### CONTENTS

- 1 - pair of mounting brackets (L & R)



- 4 - #10-24 x 3/8" bolts

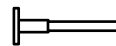
- 4 - washers

- 4 - #10-24 nuts

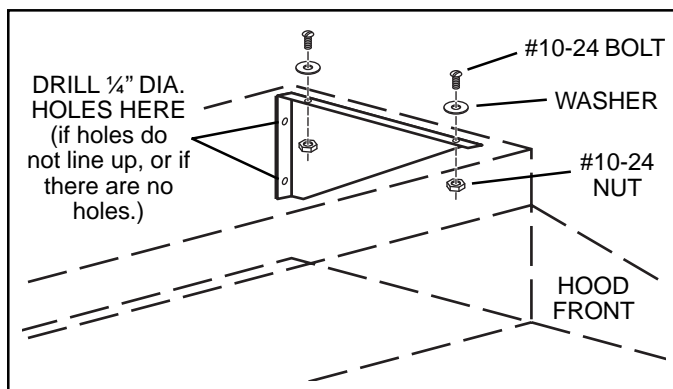
- 4 - #10 x 1 1/2" screws

- 4 - plastic anchors

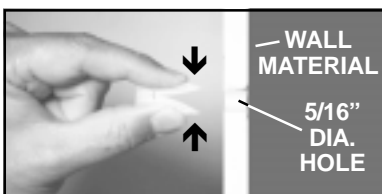
- 1 - plastic anchor setting key



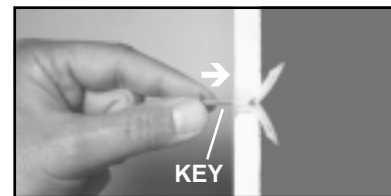
### INSTALLATION



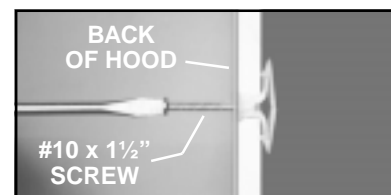
1. Fasten each bracket to inside, top of hood.
2. If the holes in the back of your hood do not line up with the holes in the brackets: Drill 1/4" diameter holes through the back of your hood, using the holes in the brackets as a guide.
3. Hold hood in place against the wall. *Note: For best capture of cooking impurities, your range hood should be mounted 18"-24" above the cooking surface.* Make sure hood is level, then mark the wall through the holes in the back of the hood.
4. Drill 1/8" diameter pilot holes into wall at marked locations. Use #10 x 1 1/2" screws to attach hood directly to wall framing.
5. For pilot holes with no wall framing behind: Enlarge holes in wall material to 5/16" and follow Steps 6 through 8.



6. Fold anchor, insert anchor into hole, and tap anchor flush with wall.



7. Push key into anchor to toggle anchor open behind wall. **Do not hammer key!**



8. Hold hood in place against wall. Insert #10 x 1 1/2" screw and tighten until screw is flush with hood. **Do not overtighten!**

Note: If necessary, brackets may be installed upside-down on top of hood.

