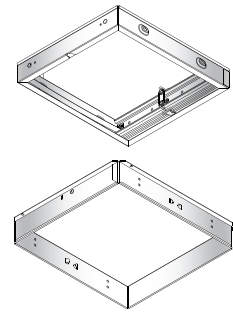


# RDFQL PREMIUM RADIATION DAMPER FOR VENTILATION FANS



**Premium radiation damper for use with Broan and NuTone ventilation fans (sold separately).**

### FEATURES

- For use in 1, 2 and 3 hour rated floor-ceiling and roof-ceiling constructions
- Galvanized steel frame
- High temperature, non-asbestos, reinforced fiber thermal fabric
- Stainless steel closure springs
- 165°F fusible link
- Separate outer frame allows complete fan and damper serviceability without disturbing the surrounding ceiling material
- Meets or exceeds NFPA-90A
- Includes light jumper cable
- UL Classified (UL-555C)

RDFQL for use with the following ventilation fan models:

**Broan** QTRE080FLT, QTRE110FLT, QTRE080FLFT, QTRE110FLFT, QTXE080FLT, QTXE110FLT, QTXE150FLT, QTX110SL\*, QTXE110SFLT\*, QTXE110S\*

**NuTone** QTREN080FLT, QTREN110FLT, QTREN080FLFT, QTREN110FLFT, QTXEN080FLT, QTXEN110FLT, QTXEN150FLT, QTXN110SL\*, QTXEN110SFLT\*, QTXEN110S\*

\* Sensor cable extension required on these models. (Purchase Model RDJUMPQ separately.)

### TYPICAL SPECIFICATION

Radiation damper shall be Broan/NuTone RDFQL suitable for use with the following ventilation fan models:

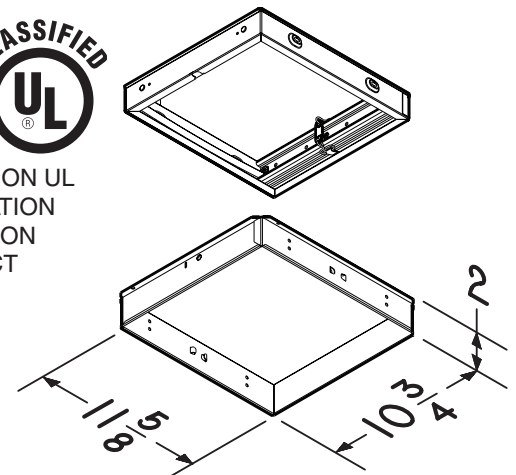
**Broan** QTRE080FLT, QTRE110FLT, QTRE080FLFT, QTRE110FLFT, QTXE080FLT, QTXE110FLT, QTXE150FLT, QTX110SL, QTXE110SFLT, QTXE110S

**NuTone** QTREN080FLT, QTREN110FLT, QTREN080FLFT, QTREN110FLFT, QTXEN080FLT, QTXEN110FLT, QTXEN150FLT, QTXN110SL, QTXEN110SFLT, QTXEN110S

Radiation damper shall be rated for use in up to three hour ceiling constructions. It shall be UL Classified (UL-555C) and meets or exceeds NFPA-90A.



SEE DETAILS ON UL CLASSIFICATION MARKING ON PRODUCT



Broan-NuTone LLC Hartford, Wisconsin [www.broan.com](http://www.broan.com) [www.nutone.com](http://www.nutone.com) 800-558-1711  
Broan-NuTone Canada Mississauga, Ontario [www.broan.ca](http://www.broan.ca) [www.nutone.ca](http://www.nutone.ca) 877-896-1119

REFERENCE	QTY.	REMARKS	Project
			Location
			Architect
			Engineer
			Contractor
			Submitted by Date