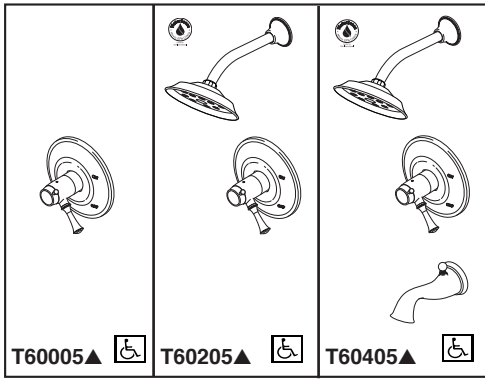


BRIZO®

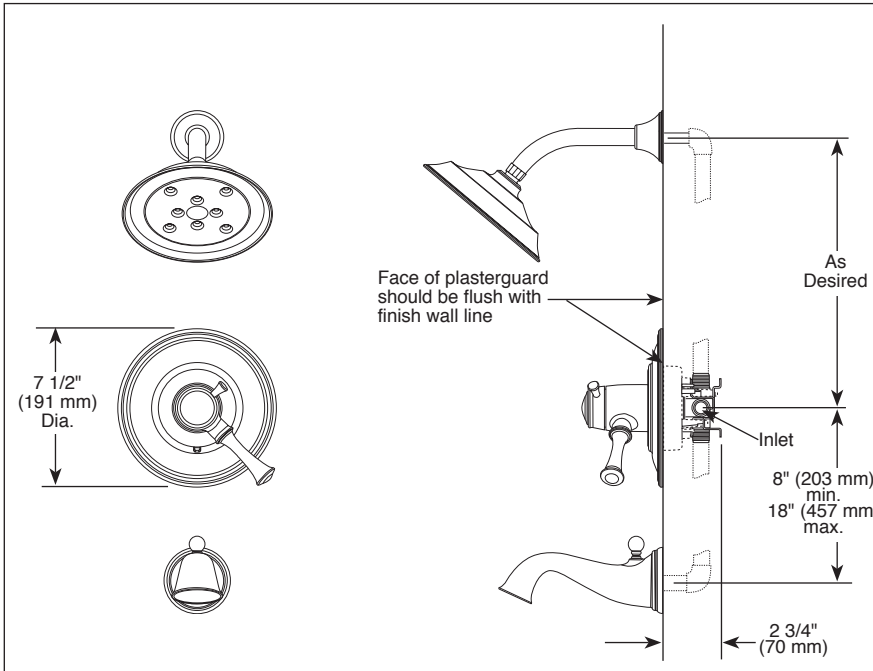
TUB AND SHOWER FAUCET TRIM

- Baliza® Bath Collection
- TempAssure® Thermostatic
- Valve Only (T60005)
- Shower Only (T60205)
- Tub/Shower (T60405)



Submitted Model No.: _____

Specific Features: _____



STANDARD SPECIFICATIONS:

- TempAssure® thermostatic valve cartridge.
- Thermostatic wax element maintains the outlet temperature to $\pm 3.6^\circ\text{F}$.
- Must also order R60000-UNBX rough valve body.
- Back-to-back installation capability.
- Lever volume control handle; temperature adjustment lever.
- Graphics indicate hot/cold temperature adjustment.
- Field adjustable to limit handle rotation into hot water zone.
- All parts replaceable from the front of the valve.
- Adjusts for up to 1" wall thickness.
- Single function H₂Okinetic Technology® showerhead; 2.0 gpm @ 80 PSI.
- Tool for showerhead to showerarm assembly provided.
- Decorative, cast brass showerarm and tub spout.

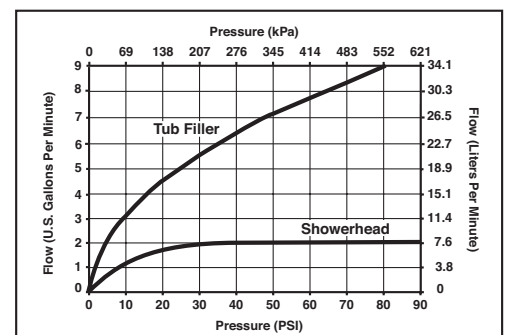
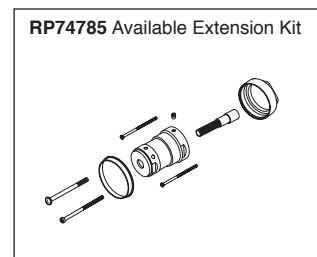
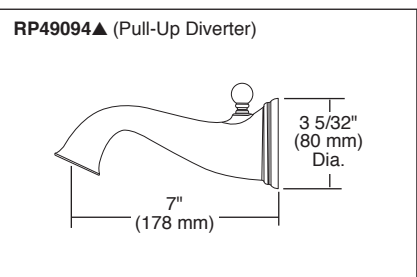
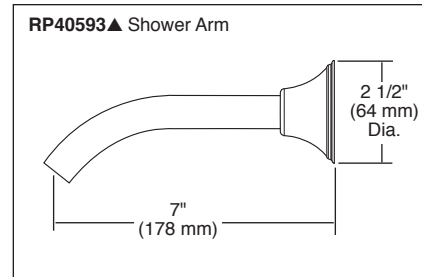
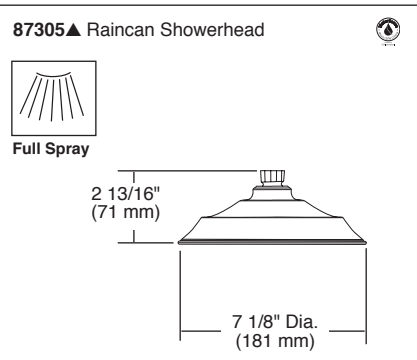
WARRANTY

- Lifetime limited warranty on parts (other than electronic parts and batteries) and finishes; or, for commercial users, for 5 years from date of purchase.
- 5 year limited warranty on electronic parts (other than batteries); or, for commercial users, for 1 year from the date of purchase. No warranty is provided on batteries.



COMPLIES WITH:

- ASME A112.18.1 / CSA B125.1
- ASSE 1016
- Indicates compliance to ICC/ANSI A117.1
- Indicates compliance to WaterSense®



▲ Designate proper finish suffix

Delta reserves the right (1) to make changes in specifications and materials, and (2) to change or discontinue models, both without notice or obligation. Dimensions are for reference only. See current full-line price book or www.brizo.com for finish options and product availability.

BSP-B-T60005 Rev. E

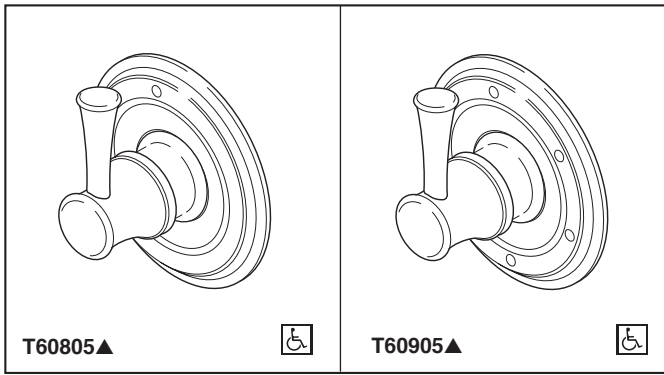
Delta Faucet Company

55 E. 111th Street, Indianapolis, Indiana 46280
 350 South Edgeware Road, St. Thomas, Ontario, Canada N5P 4L1
 © 2013 Masco Corporation of Indiana

BRIZO®

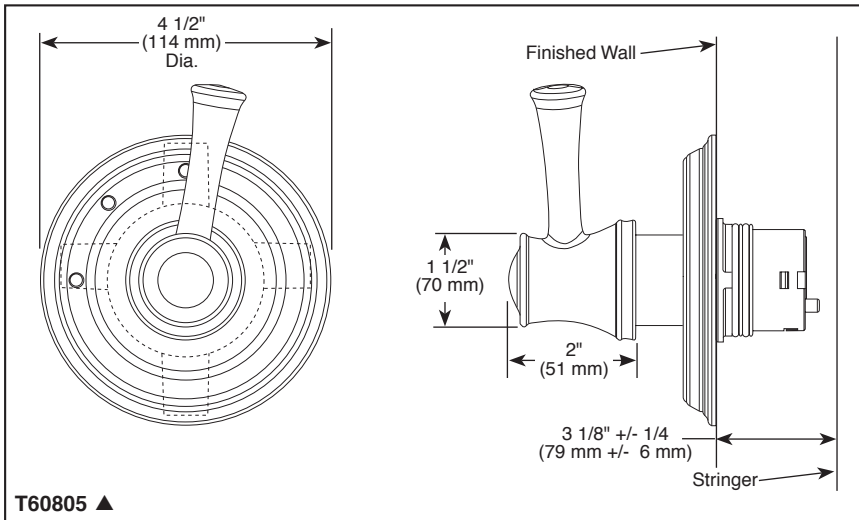
CUSTOM SHOWER DIVERTER

- Baliza® Collection
- Three Function Diverter Trim (T60805)
- Six Function Diverter Trim (T60905)

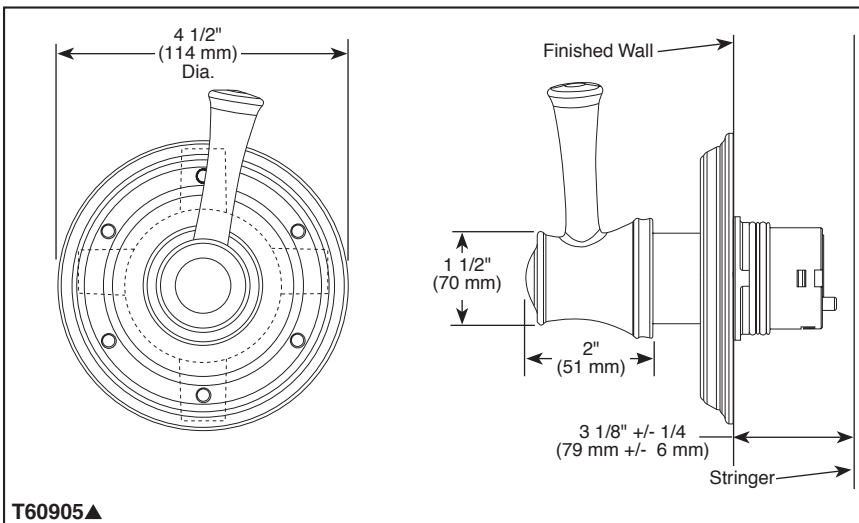


Submitted Model No.: _____

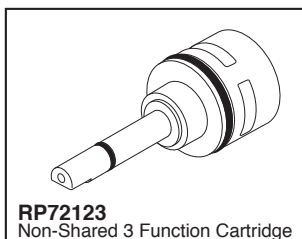
Specific Features: _____



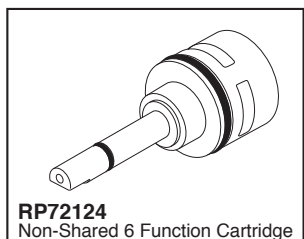
T60805 ▲



T60905▲



RP72123
Non-Shared 3 Function Cartridge



RP72124
Non-Shared 6 Function Cartridge



RP75012
Available Extension Kit

▲ Designate proper finish suffix

Delta reserves the right (1) to make changes in specifications and materials, and (2) to change or discontinue models, both without notice or obligation. Dimensions are for reference only. See current full-line price book or www.brizo.com for finish options and product availability.

BSP-B-T60805 Rev. E

STANDARD SPECIFICATIONS

- Three function diverter 2 individual positions, 1 shared position.
- Six function diverter 3 individual positions, 3 shared positions.
- Must also order R60700 rough-in.
- Non shared 3 function cartridge RP72123 and 6 function cartridge RP72124 are available.

WARRANTY

- Lifetime limited warranty on parts (other than electronic parts and batteries) and finishes; or, for commercial users, for 5 years from date of purchase.
- 5 year limited warranty on electronic parts (other than batteries); or, for commercial users, for 1 year from the date of purchase. No warranty is provided on batteries.

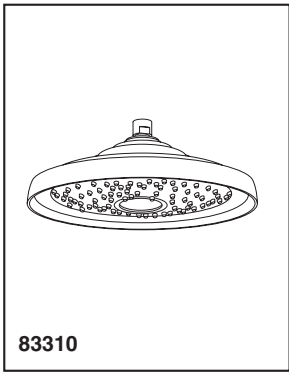


COMPLIES WITH:

- ASME A112.18.1 / CSA B125.1
- ♿ Indicates compliance to ICC/ANSI A117.1

Delta Faucet Company

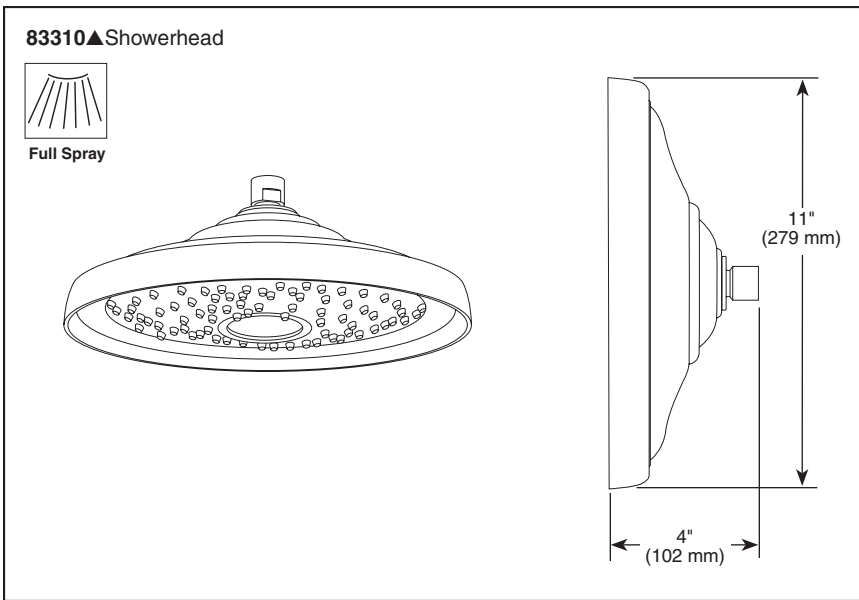
55 E. 111th Street, Indianapolis, Indiana 46280
350 South Edgeware Road, St. Thomas, Ontario Canada N5P 4L1
© 2013 Masco Corporation of Indiana



83310

Submitted Model No.: _____

Specific Features: _____



▲Designate proper finish suffix

BRIZO®

SHOWERHEAD

- Traditional Showerhead
- 2.5 GPM Max @ 80 PSI

STANDARD SPECIFICATIONS:

- Standard 1/2" pipe fitting.
- 2.5 GPM Max @ 80 PSI.
- Wrench flats for tightening.
- Solid fabricated brass showerhead.
- Showerhead is intended for ceiling supply only. Ball connector rotates but does not pivot.
- Please also order RP48985 (6") or RP48986 (10") ceiling supply.

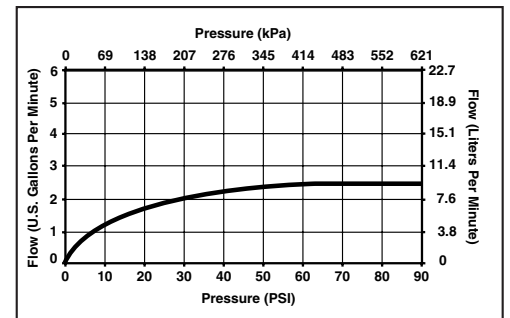
WARRANTY

- Lifetime Faucet and Finish Limited Warranty to the original consumer purchaser to be free from defects in material and workmanship.
- 5 Year Limited Warranty for usage in all industrial, commercial and business applications.

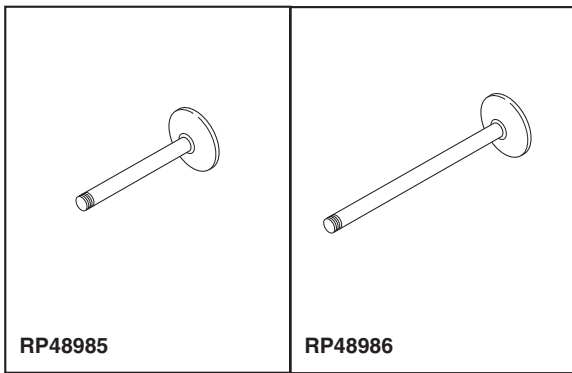


COMPLIES WITH:

- ASME A112.18.1 / CSA B125.1



Delta reserves the right (1) to make changes in specifications and materials, and (2) to change or discontinue models, both without notice or obligation. Dimensions are for reference only.

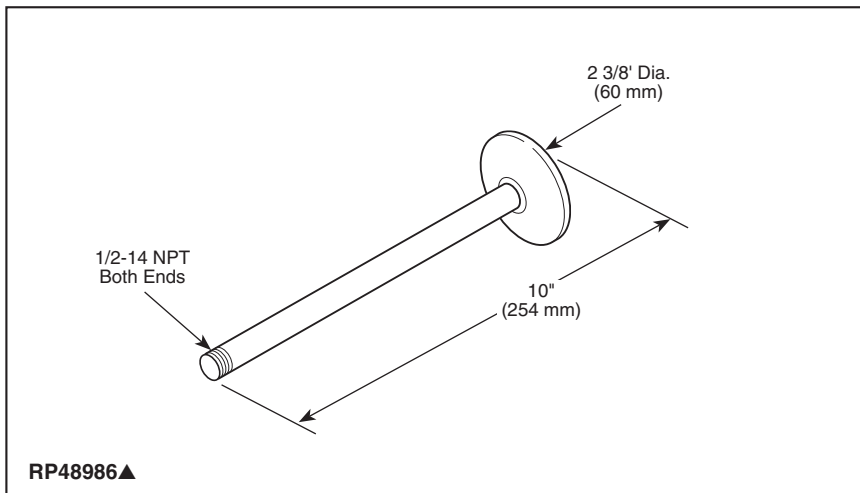
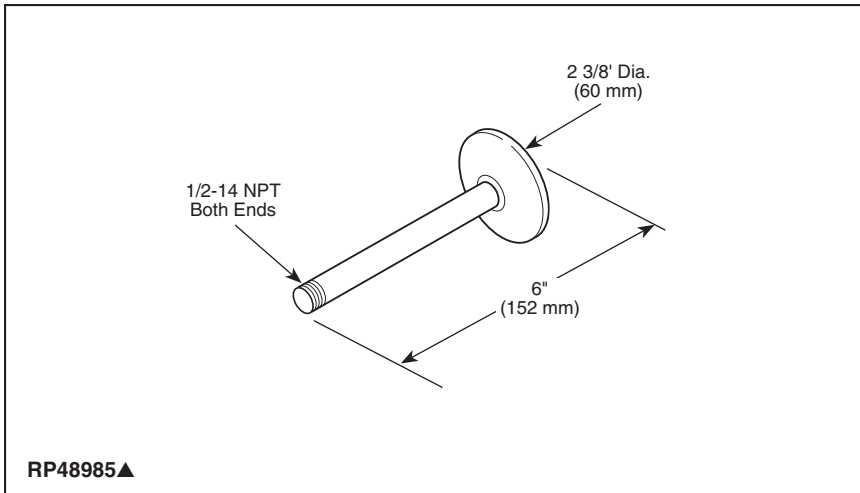


BRIZO®

CEILING MOUNT SHOWERARMS AND FLANGE

Submitted Model No.: _____

Specific Features: _____



▲Designate proper finish suffix

STANDARD SPECIFICATIONS:

- Nipples and flange are of solid brass construction.
- Adjustable flange is held in place on showerarm by rubber friction ring.

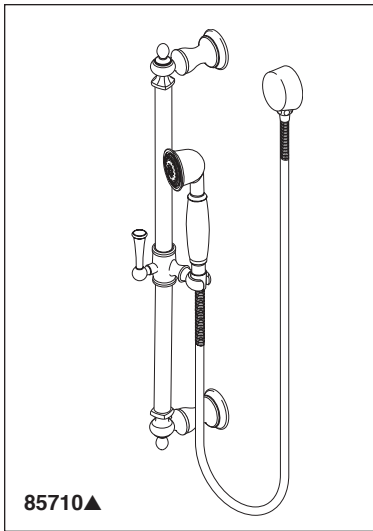
WARRANTY

- Lifetime Faucet and Finish Limited Warranty to the original consumer purchaser to be free from defects in material and workmanship.
- 5 Year Limited Warranty for usage in all industrial, commercial and business applications.



COMPLIES WITH:

- ASME A112.18.1 / CSA B125.1



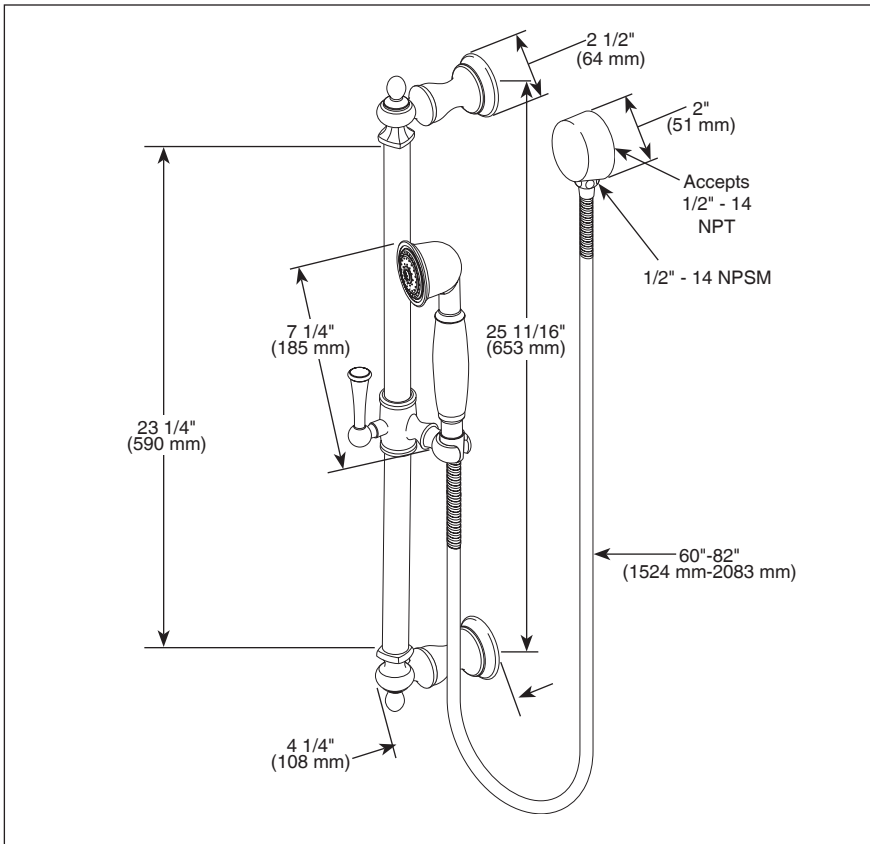
85710▲

BRIZO® HAND SHOWER W/ SLIDE BAR

■ Traditional Bath Collection

Submitted Model No.: _____

Specific Features: _____



▲ Designate proper finish suffix

Spray Pattern



Full Spray

◆ Your Brizo Faucet hand shower incorporates a backflow protection system that has been tested to be in compliance with ASME A112.18.3, CSA B125.1 and ASME A112.18.1. It incorporates two certified check valves in series, which operate independently and are integral, non-serviceable parts of the wand assembly.

STANDARD SPECIFICATIONS:

- Hand shower with full spray pattern and touch clean nubs.
- Certified dual check valves.
- 2.0 gpm @ 80 psi (7.6 L/min @ 552 kPa)
- 23 1/4" (590 mm) wall bar with adjustable slide (allows for adjustable shower height). Not to be used as a Grab Bar. Not ADA compliant.
- 60" (1524 mm) - 82" (2083 mm) stretchable finished metal hose.

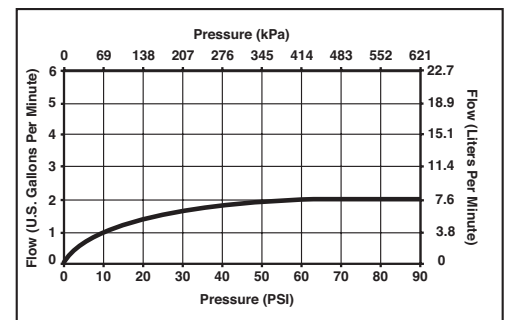
WARRANTY

- Lifetime limited warranty on parts (other than electronic parts and batteries) and finishes: or, for commercial users, for 5 years from date of purchase.
- 5 year limited warranty on electronic parts (other than batteries); or, for commercial users, for 1 year from the date of purchase. No warranty is provided on batteries.



COMPLIES WITH:

- ASME A112.18.1 / CSA B125.1 ◆
- ASME A112.18.3

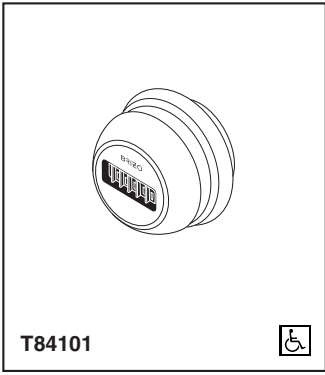


Delta reserves the right (1) to make changes in specifications and materials, and (2) to change or discontinue models, both without notice or obligation. Dimensions are for reference only. See current full-line price book or www.brizo.com for finish options and product availability.

BSP-B-85710 Rev. C

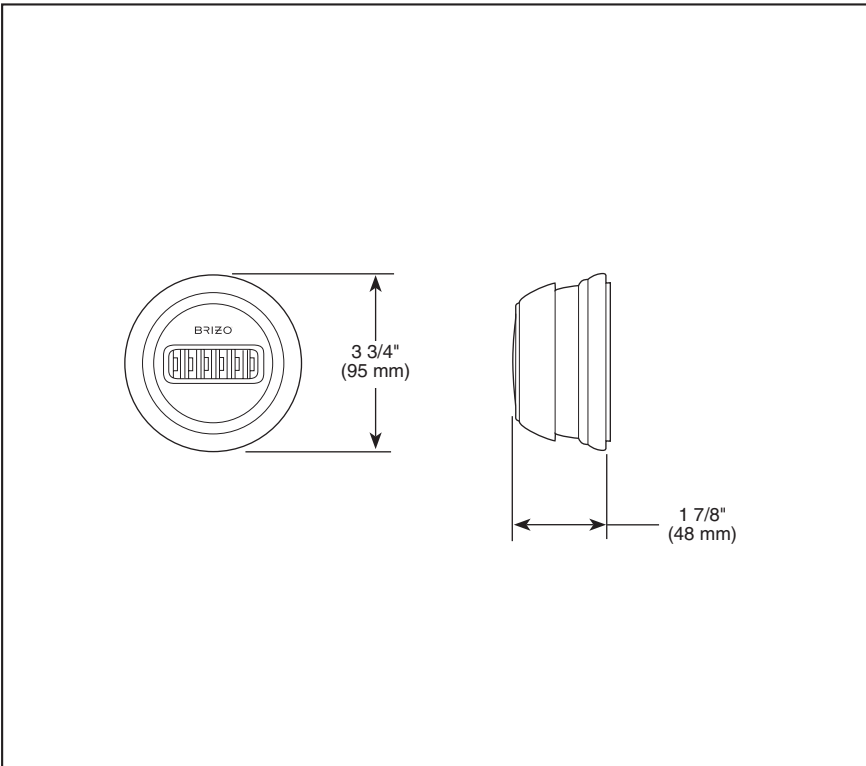
Delta Faucet Company

55 E. 111th Street, Indianapolis, Indiana 46280
350 South Edgeware Road, St. Thomas, Ontario, Canada N5P 4L1
© 2013 Masco Corporation of Indiana



Submitted Model No.: _____

Specific Features: _____



BRIZO®

BODY SPRAY

- H₂O Kinetic Body Spray Trim
- 1.6 GPM, Experience of 2.5 GPM

STANDARD SPECIFICATIONS

- Requires 1/2" R84101 body spray rough-in.
- 1.6 gpm @ 80 PSI, experience of 2.5 gpm.
- Features patented H₂O Kenetic Technology®.
- Adjusts both vertically and horizontally.
- Rough opening must be a minimum of 2 5/8" diameter.
- Previously shipped as complete unit as 60000 series.

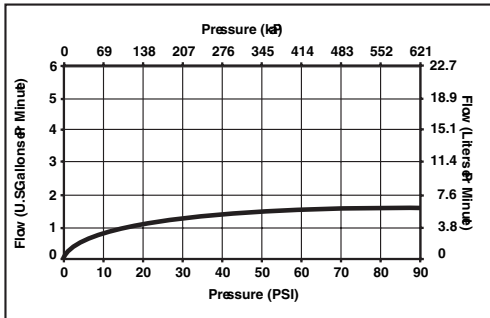
WARRANTY

- Lifetime Faucet and Finish Limited Warranty to the original consumer purchaser to be free from defects in material and workmanship.
- 5 Year Limited Warranty for usage in all industrial, commercial and business applications.

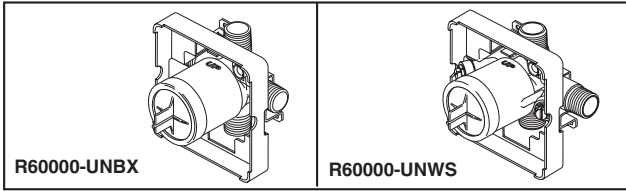


COMPLIES WITH:

- ANSI/ASME A112.18.1 / CSA B125.1
- ICC/ANSI A117.1



Delta reserves the right (1) to make changes in specifications and materials, and (2) to change or discontinue models, both without notice or obligation. Dimensions are for reference only. See current full-line price book for finish options and product availability.



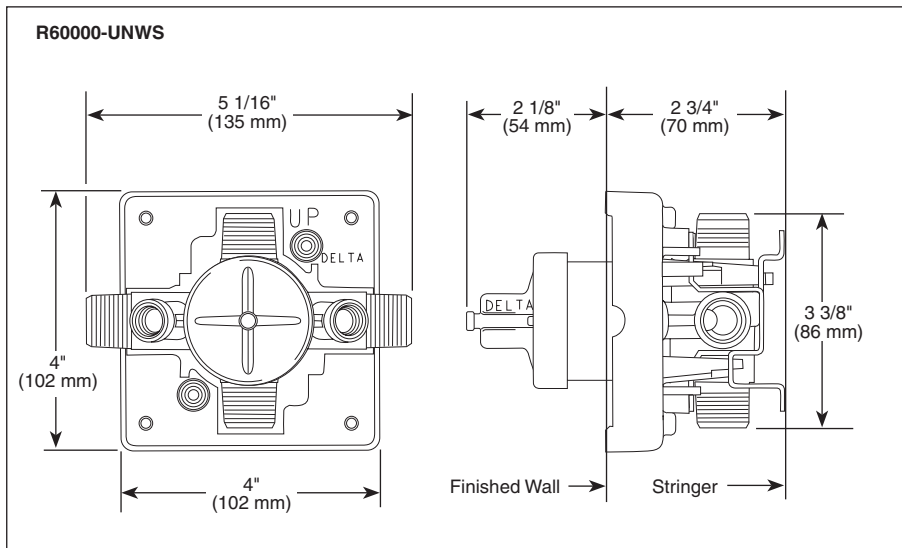
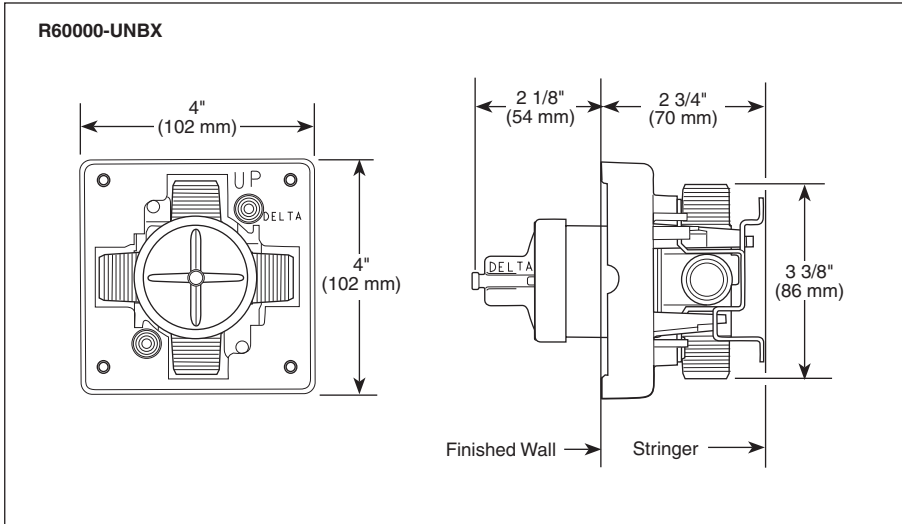
Submitted Model No.: _____

Specific Features: _____

BRIZO®

MULTICHOICE® UNIVERSAL ROUGH VALVE BODY

- R60000-UNBX (Case Qty 3)
- R60000-UNWS (Case Qty 3)



STANDARD SPECIFICATIONS:

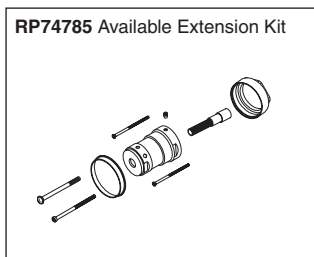
- Forged brass body.
- Back-to-Back installation capabilities.
- Can be tested with air (200 PSI) or water (300 PSI) without valve using supplied test cap.
- Square plasterguard allows for right angle cuts.
- Thin wall mounting.
- For use with MultiChoice® Universal single or dual function trim. Cartridge ships with trim.

Note: Should use proper fitting with each type (copper tubing, iron pipe, and pex fitting).

Note: Should use proper tooling with crimping pex fitting and cold expansion pex models.

WARRANTY

- Lifetime limited warranty on parts (other than electronic parts and batteries) and finishes: or, for commercial users, for 5 years from date of purchase.
- 5 year limited warranty on electronic parts (other than batteries); or, for commercial users, for 1 year from the date of purchase. No warranty is provided on batteries.



COMPLIES WITH:

- ASME A112.18.1 / CSA B125.1

Delta reserves the right (1) to make changes in specifications and materials, and (2) to change or discontinue models, both without notice or obligation. Dimensions are for reference only. See current full-line price book or www.brizo.com for finish options and product availability.

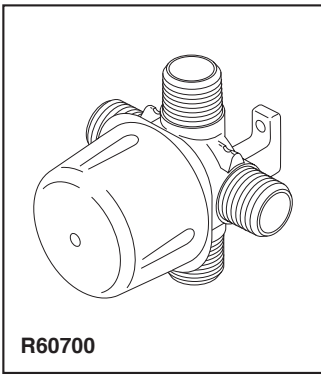
BSP-B-R60000 Rev. C

Delta Faucet Company
Indianapolis, Indiana 46280
A Division of Masco Corporation of Indiana
© 2013 Masco Corporation of Indiana

BRIZO®

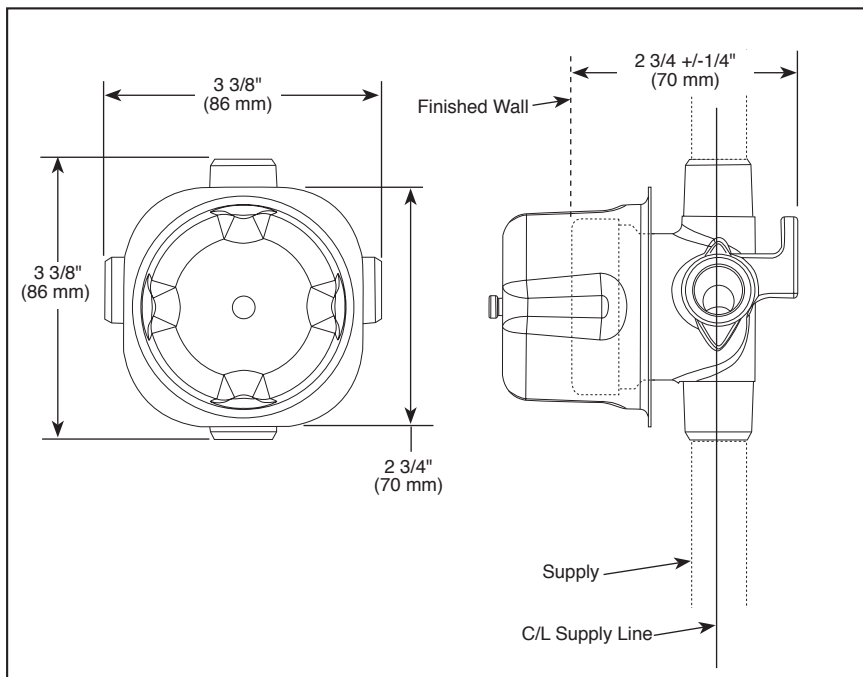
ROUGH VALVE BODY

- R60700 (Case Qty. 3)
- 1/2" Rough-In



Submitted Model No.: _____

Specific Features: _____



STANDARD SPECIFICATIONS

- Three port diverter rough.
- For use with (3) three or (6) six function diverter.
- Forged brass body.
- Can be tested with air (200 psi) or water (300 psi) using supplied test cap.

WARRANTY

- Lifetime limited warranty on parts (other than electronic parts and batteries) and finishes: or, for commercial users, for 5 years from date of purchase.
- 5 year limited warranty on electronic parts (other than batteries); or, for commercial users, for 1 year from the date of purchase. No warranty is provided on batteries.



COMPLIES WITH:

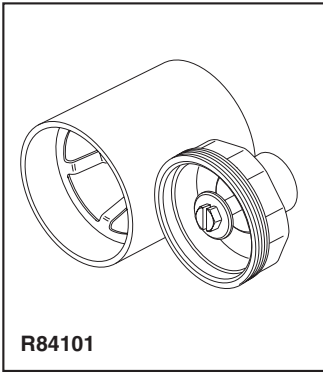
- ASME A112.18.1 / CSA B125.1

Delta reserves the right (1) to make changes in specifications and materials, and (2) to change or discontinue models, both without notice or obligation. Dimensions are for reference only. See current full-line price book or www.brizo.com for finish options and product availability.

BSP-B-R60700 Rev. D

Delta Faucet Company

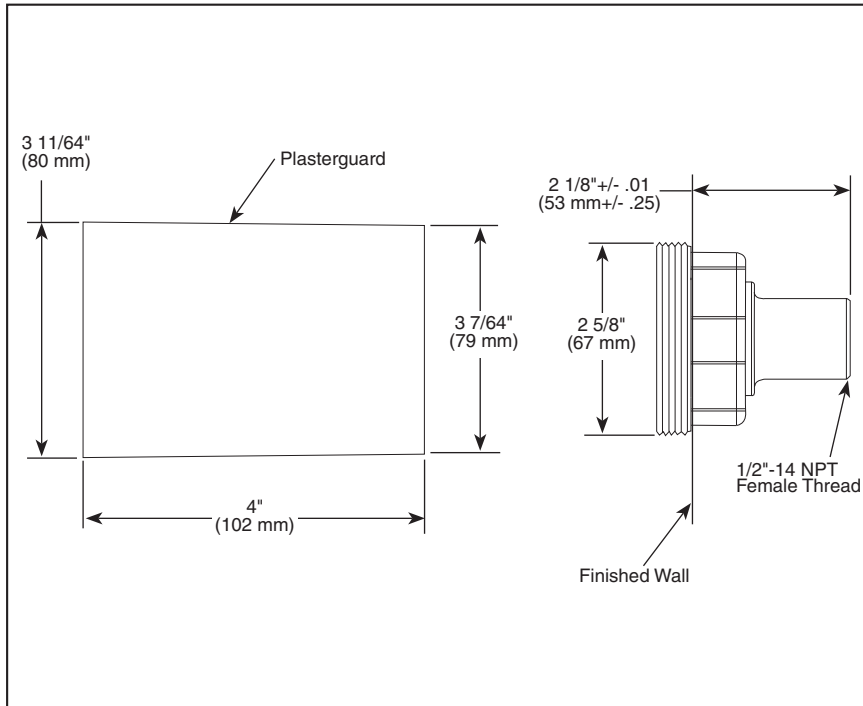
55 E. 111th Street, Indianapolis, Indiana 46280
350 South Edgeware Road, St. Thomas, ON N5P 4L1
© 2013 Masco Corporation of Indiana



R84101

Submitted Model No.: _____

Specific Features: _____



BRIZO®

BODY SPRAY ROUGH

- H₂O Kinetic Body Spray Rough
- 1/2" Rough-In

STANDARD SPECIFICATIONS

- 1/2" rough-in with recessed mounting.
- Requires T84101 body spray trim.
- Required at rough-in to ensure proper installation depth with finished wall.
- Rough opening must be a minimum of 2 5/8" diameter.
- Test plug included.
- Previously shipped as complete unit 60000 series.

WARRANTY

- Lifetime Faucet and Finish Limited Warranty to the original consumer purchaser to be free from defects in material and workmanship.
- 5 Year Limited Warranty for usage in all industrial, commercial and business applications.



COMPLIES WITH:

- ANSI/ASME A112.18.1 / CSA B125.1

Delta reserves the right (1) to make changes in specifications and materials, and (2) to change or discontinue models, both without notice or obligation. Dimensions are for reference only. See current full-line price book for finish options and product availability.

BSP-B-R84101 Rev. A

Delta Faucet Company
 Indianapolis, Indiana 46280
 A Division of Masco Corporation of Indiana
 © 2009 Masco Corporation of Indiana