

BRIZO®

IMPORTANT DOCUMENTS ENCLOSED

CAUTION:

To reduce the risk of injury due to hot water burns, make sure the enclosed labels are applied where specified on the label.

DOCUMENTOS IMPORTANTES INCLUIDOS

AVISO:

Para reducir el riesgo de lesión por quemaduras de agua caliente, asegúrese que las etiquetas incluidas se han aplicado donde se ha especificado en la etiqueta.

DOCUMENTS IMPORTANTS À L'INTÉRIEUR

MISE EN GARDE :

Pour réduire le risque d'ébouillantage, veuillez apposer les étiquettes fournies aux endroits indiqués sur celles-ci.

NOTICE TO INSTALLER: Place this label on the water heater next to the temperature adjustment knob.

WARNING:

This series of tub/shower valves does not adjust automatically for changes in temperature at the hot water heater or inlet. If the temperature setting of the hot water heater or inlet is changed, the setting on these valves **must be adjusted manually!** Failure to re-adjust the valve may result in hot water burns or extreme cold resulting from variations in line pressure (such as when a dishwasher or washing machine is in use while you are taking a shower). After installation, verify that the temperature knob on the valve is set so that changes in line pressure or temperature do not result in uncomfortable water temperature changes. **If the temperature setting of the hot water heater or inlet is changed after installation of the valve, the setting of the temperature knob also must be changed!** Consult the installation instruction sheet for instructions on how to make this setting, or call us at 1-877-345-BRIZO.

AVISO AL INSTALADOR: Coloque esta etiqueta en el calentador de agua al lado de la perilla que ajusta la temperatura.

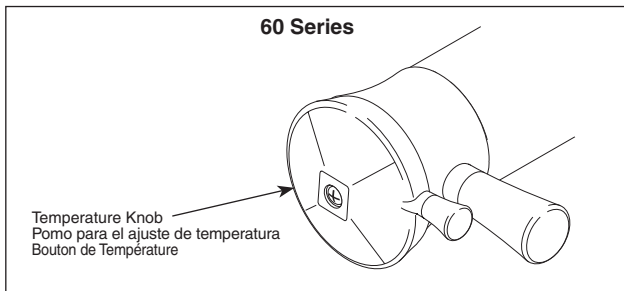
AVISO:

Esta serie de válvulas para bañeras/regaderas no se ajusta automáticamente a los cambios de temperatura en el calentador de agua o del agua de entrada. ¡Si el ajuste de temperatura del calentador de agua caliente o del agua de entrada, el ajuste en estas válvulas **debe ajustarse manualmente!** El no reajustar la válvula puede resultar en quemaduras por agua caliente o temperaturas de agua extremadamente frías resultando en variaciones de presión y temperatura (como cuando el fregador de platos o la lavadora están funcionando mientras que se baña). Después de la instalación, verifique que la perilla para el control de la temperatura en la válvula está ajustada para que cambios de presión y de temperatura en la línea no resulten en cambios de temperatura del agua incómodos. **Si el ajuste de la temperatura del calentador de agua o de la entrada de agua se cambia después de la instalación de la válvula, la perilla que ajuste ¡la temperatura también se debe cambiar!** Consulte con su hoja de instrucciones de instalación para saber como se ajusta o cambia el ajuste o llámenos al 1-877-345-BRIZO.

AVIS À L'INSTALLATEUR : Placez cette étiquette sur le chauffe-eau, près du bouton de réglage de température.

ATTENTION :

La soupape de robinet de baignoire ou de douche de cette série ne se règle pas automatiquement en fonction des changements de température de l'eau chaude au chauffe-eau ou de l'eau d'alimentation. En cas de modification du réglage de température du chauffe-eau ou de la température de l'eau d'alimentation, le réglage de ces soupapes doit **être modifié manuellement!** Si le réglage de la soupape n'est pas modifié, le robinet pourra permettre l'écoulement d'eau très chaude susceptible de causer l'ébullition ou d'eau très froide, sous l'effet des variations de pression et de température dans la tuyauterie d'alimentation (lorsque la douche est utilisée en même temps que le lave-vaisselle ou la machine à laver, par exemple). Après l'installation, assurez-vous que le bouton de température sur la soupape est réglé de manière que les fluctuations de pression et de température dans la tuyauterie d'alimentation n'entraînent pas de changements de température de l'eau inconfortables. **En cas de modification du réglage de température du chauffe-eau ou de la température de l'eau d'alimentation après l'installation de la soupape, le réglage du bouton de température doit être modifié!** Pour régler le bouton de température, consultez la feuille d'instructions d'installation ou appelez-nous au 1-877-345-BRIZO.



NOTICE TO INSTALLER: Place this label close to the valve where the owner will see it, such as inside the door of a cabinet or vanity.

WARNING:

Water temperature changes due to seasonal or other inlet variations, such as changing the setting on the hot water heater may require adjustment of the temperature knob on your tub/shower valve to ensure a safe maximum temperature. **This valve series does not automatically adjust for inlet temperature changes.** If changes occur and you are not sure how to make the necessary temperature knob adjustments, please consult the installation instruction sheet provided with this valve or call 1-877-345-BRIZO. This valve is designed to reduce the risk of injury due to inlet pressure or temperature changes, commonly caused by dishwashers, washing machines, toilets and the like. **It may not provide protection from hot water burns when there is a failure of other temperature controlling devices elsewhere in the plumbing system.** After making the necessary adjustments please fill in the information below. This valve/system has been set by the person listed below to help ensure a safe maximum temperature. Any change in the setting may raise the temperature of the water coming out of the shower or bath above the limit considered safe and could lead to hot water burns. If this label has not been completed, you should verify that the temperature knob has been properly adjusted to suit your individual installation. The installation instruction sheet supplied with the valve provides information on how to make this setting.

AVISO AL INSTALADOR: Coloque esta etiqueta cerca de la válvula donde el propietario la pueda ver, tal como dentro de la puerta del gabinete o el tocador.

AVISO:

Los cambios de temperatura del agua por variaciones estacionales u otras variaciones en el agua de entrada, como cambiando el ajuste en el calentador de agua pueden requerir el ajuste de la perilla para el control de la temperatura de su unidad bañera/regadera para ayudar a asegurar una temperatura máxima segura. **Este válvulas no se ajusta automáticamente a cambios de temperatura en el agua de admisión.** Si los cambios ocurren y usted no está seguro como hacer los ajustes necesarios con la perilla para controlar la temperatura, por favor consulte la hoja de instrucciones de instalación proporcionada con esta válvula o llámenos al 1-877-345-BRIZO. Esta válvula está diseñada para reducir el riesgo de lesión por cambios de temperatura del agua que entra o por los cambios de presión del agua que comúnmente son causados por los usos simultáneos de fregadores de platos, lavadoras, sanitarios y aparatos similares. **Puede no proporcionar protección de quemaduras por el agua caliente cuando hay una falla de otros mecanismos que controlan la temperatura del agua en otro sitio del sistema de plomería.** Después de hacer los ajustes necesarios, por favor escriba la información a continuación. Esta válvula/sistema ha sido ajustada por la persona indicada a continuación para ayudar a asegurar una temperatura máxima segura. Cualquier cambio al ajuste puede aumentar la temperatura del agua que sale de la ducha o el baño sobre el límite considerado seguro y puede resultar en quemaduras por el agua caliente. Si esta etiqueta no se a llenado, debe verificar si la perilla para el control de la temperatura hay sido correctamente ajustada para al gusto de su instalación individual. La hoja de instrucciones de instalación proporcionada con las válvulas le suministra información sobre como hacer esto.

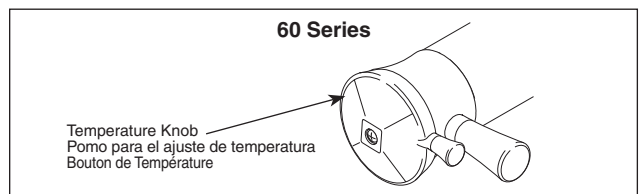
AVIS À L'INSTALLATEUR : Posez cette étiquette près du robinet, à la vue du propriétaire, par exemple à l'intérieur de la porte d'une armoire ou d'une coiffeuse.

ATTENTION :

Les modifications de la température de l'eau attribuables au changement de saison ou à d'autres facteurs, comme la modification du réglage du chauffe-eau, peuvent nécessiter un réglage du bouton de température de la soupape de votre robinet pour baignoire et douche. Le réglage vise à maintenir la température maximale de l'eau sans danger. **La soupape de cette série ne se règle pas automatiquement en fonction des variations de la température de l'eau.** En cas de modification de la température de l'eau d'alimentation, si vous ne savez pas comment régler le bouton de température, veuillez consulter le feuillet d'instructions d'installation fourni avec la soupape ou appeler au 1-877-345-BRIZO. Ce robinet est conçu pour réduire le risque de blessures pouvant résulter des fluctuations de température ou de pression dans la tuyauterie d'alimentation. Ces fluctuations sont habituellement causées par une utilisation simultanée du lave-vaisselle, de la machine à laver, d'un cabinet d'aisances ou d'un autre appareil qui consomme de l'eau. **La soupape peut ne pas protéger l'utilisateur contre l'ébullition en cas de détériorité d'un autre dispositif de régulation de la température de l'eau situé ailleurs dans la tuyauterie.** Après avoir effectué les réglages nécessaires, veuillez inscrire l'information requise ci-dessous. Cet appareil de robinetterie a été réglé par la personne dont le nom figure ci-dessous pour que la température maximale de l'eau soit sans danger. Toute modification du réglage peut occasionner une élévation de la température de l'eau à la sortie du la douche ou le bain et l'eau qui s'écoulera pourra être suffisamment chaude pour causer l'ébullition. Si la présente étiquette n'a pas été remplie, assurez-vous que le bouton de température a bien été réglé en fonction des caractéristiques de votre installation. La marche à suivre pour faire le réglage figure dans les instructions d'installation fournies avec la soupape.

TO BE FILLED OUT BY THE INSTALLER / PARA SER LLENADO POR EL INSTALADOR / A REMPLIR PAR L'INSTALLATEUR:

BY/POR/PAR _____ COMPANY/COMPANIA/COMPAGNIE _____
DATE/ECHA/LE _____ PHONE/TELÉFONO/TELÉPHONE _____



BRIZO®



ASME A112.18.1 / CSA B125.1
ASSE 1016



MultiChoice® Valve Trim Installation Instructions

Owners Manual

60 Series

Write purchased model number here.

For easy installation of your Brizo® faucet you will need:

- To **READ ALL** the instructions completely before beginning.
- To **READ ALL** warnings, care, and maintenance information.

You May Need

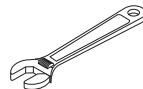
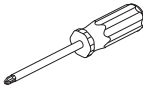


Table of Contents:

Warranty	Page 2
Installation Instructions	Pages 3 - 7
Maintenance	Page 7
Replacement Parts	Pages 8-13

THIS VALVE MEETS OR EXCEEDS THE FOLLOWING STANDARDS:

ASME A112.18.1/CSA B125.1 and ASSE 1016.

CAUTION: This system/device must be set by the installer to ensure safe, maximum temperature. Any change in the setting may raise the discharge temperature above the limit considered safe and may lead to hot water burns.

NOTICE TO INSTALLER: CAUTION!—As the installer of this valve, it is your responsibility to properly INSTALL and ADJUST this valve per the instructions given. This valve does not automatically adjust for inlet temperature changes, therefore, someone must make the necessary temperature knob adjustments at the time of installation and further adjustments may be necessary due to seasonal water temperature change. YOU MUST inform the owner/user of this requirement by following the instructions. If you or the owner/user are unsure how to properly make these adjustments, please refer to page 7 and if still uncertain, call us at 1-877-345-BRIZO (2749).

After installation and adjustment, you must affix

your name, company name and the date you adjusted the temperature knob to the caution label provided and apply or attach the label to the back side of the closest cabinet door and the warning label to the water heater. **Leave this Instruction Sheet for the owner's/user's reference.**

WARNING: This thermostatic bath valve is designed to minimize the effects of outlet water temperature changes due to inlet pressure and temperature changes, commonly caused by dishwashers, washing machines, toilets and the like. It may not provide protection from hot water burns when there is a failure of other temperature controlling devices elsewhere in the plumbing system, if the temperature knob is not properly set or if the hot water temperature is changed after the settings are made or if the water inlet changes due to seasonal changes.

WARNING: Do not install a shut-off device on either outlet of this valve. When this type of device shuts off the water flow, it can defeat the ability of the valve to balance the hot and cold water pressures.

Lifetime Faucet and Finish Limited Warranty

All parts and finishes of the Brizo® faucet are warranted to the original consumer purchaser to be free from defects in material & workmanship for as long as the original consumer purchaser owns their home. Delta Faucet Company recommends using a professional plumber for all installation & repair.

Delta will replace, FREE OF CHARGE, during the warranty period, any part or finish that proves defective in material and/or workmanship under normal installation, use and service. Replacement parts may be obtained by calling 1-877-345-BRIZO (2749) (in the U.S. and Canada) or by writing to:

In the United States:

Delta Faucet Company
Product Service
55 E. 111th Street
Indianapolis, IN 46280

In Canada:

Masco Canada Limited, Plumbing Group
350 South Edgeware Road
St. Thomas, Ontario, Canada N5P 4L1

This warranty is extensive in that it covers replacement of all defective parts and even finish, but these are the only two things that are covered. LABOR CHARGES AND/OR DAMAGE INCURRED IN INSTALLATION, REPAIR, OR

REPLACEMENT AS WELL AS ANY OTHER KIND OF LOSS OR DAMAGES ARE EXCLUDED. Proof of purchase (original sales receipt) from the original consumer purchaser must be made available to Delta for all warranty claims. THIS IS THE EXCLUSIVE WARRANTY BY DELTA FAUCET COMPANY, WHICH DOES NOT MAKE ANY OTHER WARRANTY OF ANY KIND, INCLUDING THE IMPLIED WARRANTY OF MERCHANTABILITY.

This warranty excludes all industrial, commercial & business usage, whose purchasers are hereby extended a five year limited warranty from the date of purchase, with all other terms of this warranty applying except the duration of the warranty. This warranty is applicable to Brizo® faucets manufactured after January 1, 1995.

Some states/provinces do not allow the exclusion or limitation of incidental or consequential damages, so the above limitation or exclusion may not apply to you. Any damage to this faucet as a result of misuse, abuse, or neglect, or any use of other than genuine Delta® replacement parts WILL VOID THE WARRANTY.

This warranty gives you specific legal rights, and you may also have other rights which vary from state/province to state/province. It applies only for Brizo® faucets installed in the United States of America, Canada, and Mexico.

© 2011 Masco Corporation of Indiana

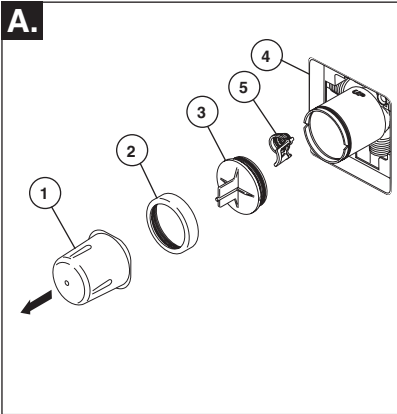
Cleaning and Care

Care should be given to the cleaning of this product. Although its finish is extremely durable, it can be damaged by

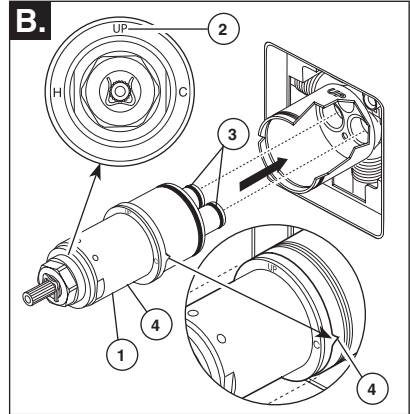
harsh abrasives or polish. To clean, simply wipe gently with a damp cloth and blot dry with a soft towel.

1

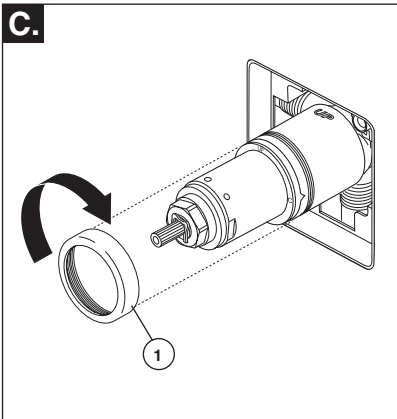
Cartridge Installation



Turn off water supplies. Remove cover (1), bonnet nut (2) and test cap (3) from the body. If this is not a thin wall mounting, the entire plasterguard (4) may be removed. If screen (5) is in place, remove before installing cartridge.

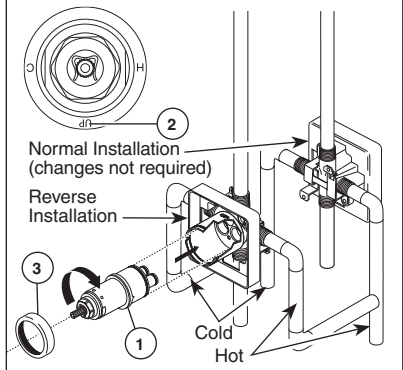


Rotate the cartridge (1) so the word "UP" (2) appears on the top. Insert cartridge into valve body as shown. Make sure the cartridge tubes and O-rings (3) are properly seated in holes at the base of the body. Ensure the keys on the body are fully engaged with the slots in the body (4).



Slide bonnet nut (1) over the cartridge and thread onto the body. Hand tighten securely.

Back to back Installation

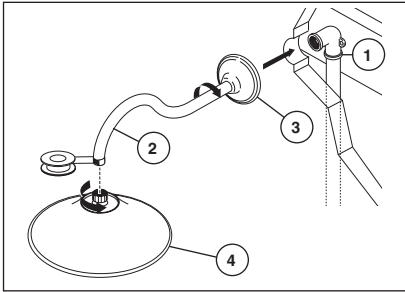


For back to back or reverse installations (hot on right and cold on left): Rotate cartridge (1) so the word "UP" (2) appears on the bottom. Install the cartridge making sure that the keys are fully engaged with the slots in the brass body (see step B). Slide bonnet nut (3) over the cartridge and thread onto the body. Hand tighten securely.

60 Series Installation

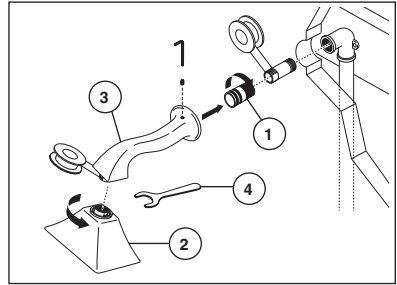
2

Showerhead and Tub Spout Installation



FOR SHOWERHEAD INSTALLATION:

Connect top outlet (1) to shower arm (2) with proper fittings. To prevent damage to finish on shower arm, insert wall end of shower arm into shower flange (3) before screwing arm into riser connection. Thread showerhead (4) onto shower arm. Apply Teflon® tape to pipe threads on both ends. Do not overtighten showerhead.



FOR RSVP™ SHOWERARM AND

SHOWER ARM INSTALLATION: Install a 1/2" threaded pipe nipple to extend beyond the finished wall 3/8" to 1/2". Apply Teflon® tape to thread on pipe nipple and screw brass adapter (1) securely onto nipple. Apply Teflon® tape to outlet end of shower arm and screw showerhead (2) onto the shower arm (3), using provided wrench (4) to tighten securely. Check position of set screw on top of shower arm (3) making sure it is not sticking through to the inside opening where it could interfere with the assembly. Slide shower arm and head assembly over the adapter and tighten set screw against the adapter.

FOR TUB SPOUT INSTALLATION:

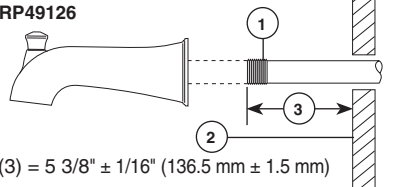
Install 1/2" (13 mm) threaded pipe nipple (1) to extend past finished wall (2) per dimension (3).

Connection of deck mount spouts to in-wall valves is not recommended. Neither is the use of hand showers connected to tub spouts in a tub/shower push button diverter combination, or hand showers connected in lieu of a tub spout to a tub / shower valve.

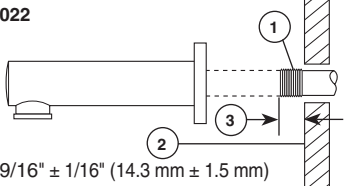
Piping between valve body and tub spout must be a minimum of 1/2" (13 mm) copper pipe or 1/2" (13 mm) iron pipe in a **straight** drop no less than 8" (203 mm) but no more than 18" (457 mm) long with only **one** iron pipe or copper

90 degree elbow to the tub spout nipple. Apply Teflon® tape to threads on pipe nipple and screw on tub spout.

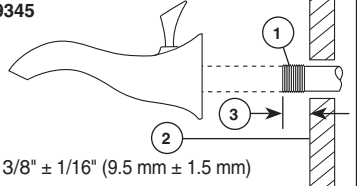
RP49126



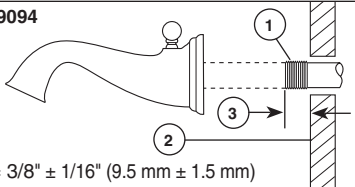
RP44022



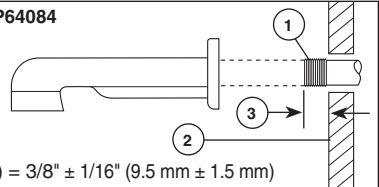
RP49345



RP49094

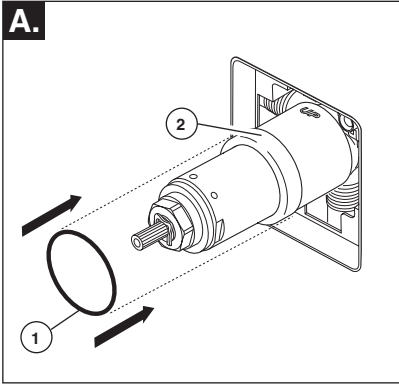


RP64084

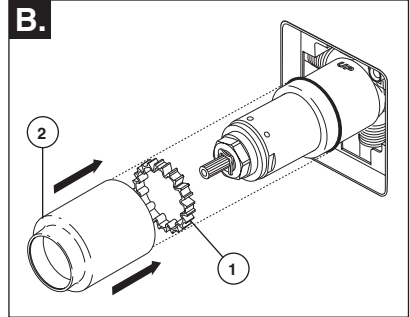


Valve Trim Installation

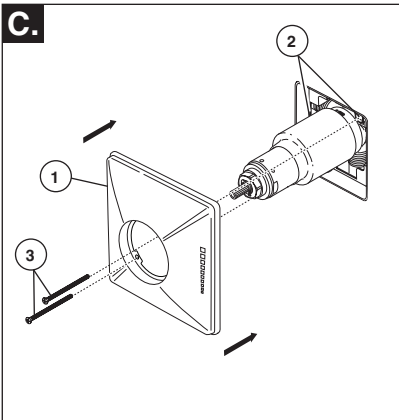
(See page 6 for Siderna™ valve trim installation.)



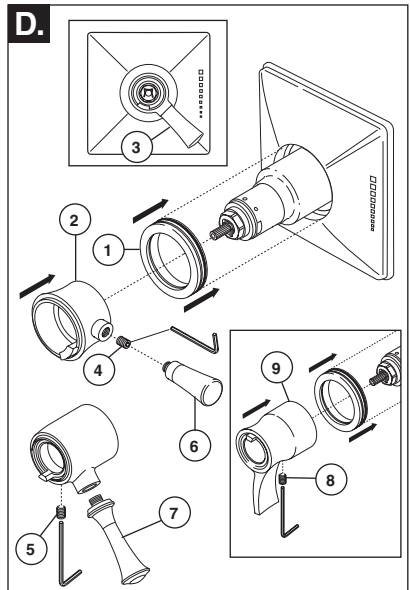
Slide O-ring (1) over cartridge and the bonnet nut (2). The O-ring, which acts as a spacer to steady the sleeve, should rest behind the bonnet nut.



If your model requires a spacer (1), install it into sleeve (2). Slide the sleeve over the cartridge, body and O-ring. Ensure sleeve is properly positioned over the front of cartridge. **Note:** RSVP™ models (series T60X90) do not require spacer (1).



Secure the escutcheon (1) to the bracket (2) with the 2 screws provided (3). Do not overtighten escutcheon screws.



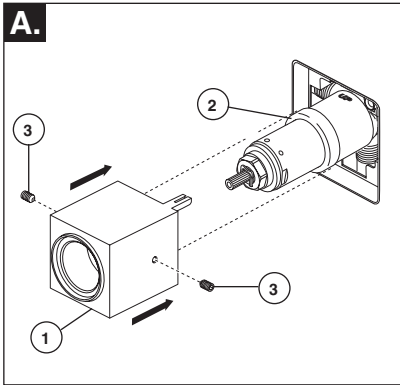
Slide trim ring (1) over the cartridge and sleeve and into the escutcheon. Install volume control handle base (2) with lever to the right as shown (3). Install set screw (4) or (5) followed by the handle lever (6) or (7).

For RSVP™ models, lever should point downward to 6 o'clock position. Install set screw (8) into handle (9). Push handle onto valve cartridge and tighten set screw to secure handle.

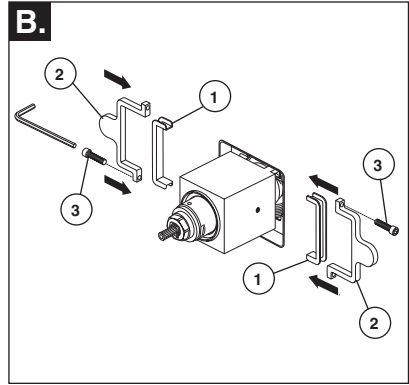
60 Series Installation

3

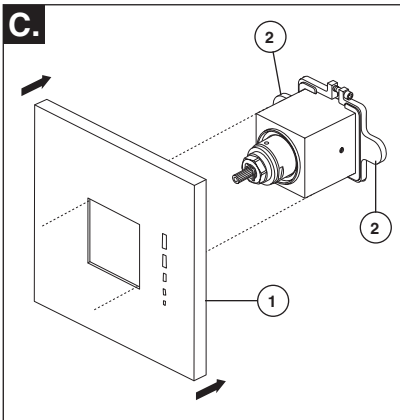
Siderna™ Valve Trim Installation



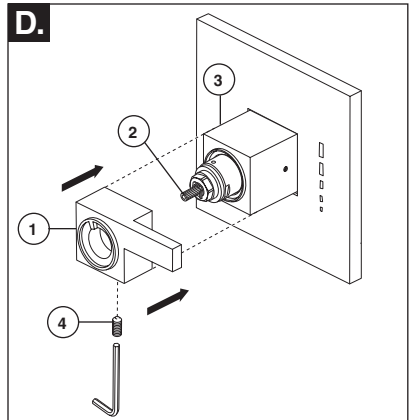
Slide trim sleeve (1) over cartridge and bonnet nut (2). When the sleeve is properly positioned tighten the 2 set screws (3) to secure.



Assemble the two mounting sleeves (1) and two mounting plates (2). Slide the mounting plate assemblies over the sides of the trim sleeve as shown. Thread screws (3) into mounting plates just enough to assemble the 2 sides together. Slide the mounting plates back against the wall and finish tightening the screws (3).



Place the center hole of the escutcheon (1) over the trim sleeve and carefully push it back to the mounting plates (2). Magnets on the back of the escutcheon will keep it in place.

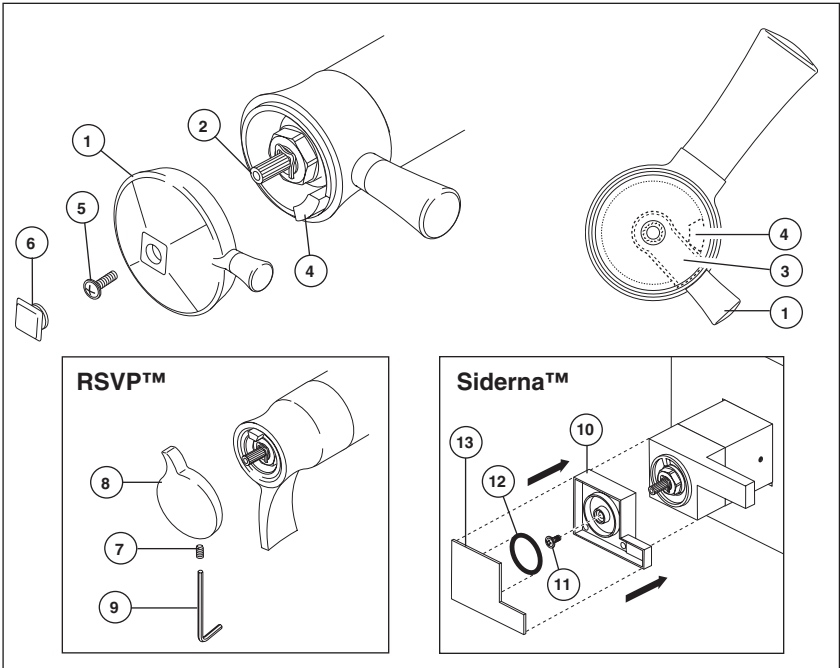


Place volume control handle (1) over valve stem (2) and onto the trim sleeve (3). Secure handle with set screw (4).

60 Series Installation

4

Installation and Adjustment of the Temperature Knob Failure to do so may cause injury.



Adjust temperature limit stop! Turn on water supplies; let the water run at both full hot and full cold to ensure the water is running as hot/cold as possible. Place a thermometer in a plastic tumbler, and hold the tumbler in the water stream. Place the temperature knob (1) onto the splines (2), then rotate the temperature knob until you achieve your maximum desired temperature from the outlet (not more than 120° or the lower temperature mandated by your local plumbing code). Remove the temperature knob and replace onto the splines (2), making sure that the temperature knob limit stop (3) hits against the volume handle limit stop (4) as shown. Secure the temperature knob using screw (5) and place cap (6) on knob.

For RSVP™ (series T60X90) models, temperature lever is intended to point upward near 12 o'clock position. Once desired position is acquired per instructions above, thread set screw (7) into handle (8) and secure it to valve stem by tightening set screw with Allen wrench (9) provided.

For Siderna™ (series T60X80) models, place temperature handle (knob) (10) onto valve stem and secure with screw (11). Ensure O-ring (12) is assembled on handle cap (13). Install handle cap by pressing it into place on top of the temperature handle (10).

60 Series Maintenance

Faucet leaks from showerhead or tub spout:
SHUT OFF WATER SUPPLIES. Replace Cartridge Assembly –Repair Kit RP47201.

If water does not flow:
Verify that the hot side of the cartridge is installed on the hot water supply line. If it is not, turn off water supplies and flip cartridge.



ASME A112.18.1 / CSA B125.1
ASSE 1016

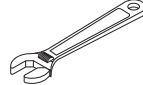
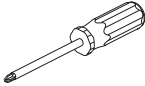


Escriba aquí el número del modelo comprado.

Para instalación fácil de su llave Brizo® usted necesitará:

- LEER TODAS las instrucciones completamente antes de empezar
- LEER TODOS los avisos, cuidados, e información de mantenimiento.

Usted puede necesitar



Contenido:

Garantía	Página 2
Instrucciones de Instalación.....	Páginas 3 - 7
Mantenimiento.....	Página 7
Piezas de Repuesto.....	Páginas 8-13

ESTA VÁLVULA CUMPLE O EXCEDE LAS SIGUIENTES NORMAS: ASME A112.18.1 / CSA B125.1 y ASSE 1016.

ADVERTENCIA: El instalador debe apostar este sistema/divisa para garantizar temperatura máximo y seguro. Cualquier cambio en el ajuste puede subir la temperatura del agua de descarga sobre el límite considerado seguro y puede resultar en quemaduras de agua caliente.

AVISO PARA EL INSTALADOR: PRECAUCIÓN – Como instalador de esta válvula, es su responsabilidad de **INSTALAR Y AJUSTAR** apropiadamente esta válvula como se describe en las instrucciones, por lo tanto, debe haber una persona para hacer los ajustes necesarios del pomo para la temperatura en el momento que se haga la instalación y pueda necesitar ajustes adicionales por los cambios estacionales de la temperatura del agua. **USTED DEBE** informarle al dueño/usuario sobre este requisito siguiendo las instrucciones. Si usted o el dueño/usuario no están seguros como hacer estos ajustes apropiadamente, por favor refiérase al **Página 7** y si todavía no está seguro, llámenos al **1-877-345-BRIZO (2749)**.

Después de hacer la instalación y el ajuste, usted puede agregarle a la etiqueta de aviso proporcionada, su nombre, el nombre de la

compañía y la fecha cuando ajustó y el pomo para la temperatura y aplicar o fijar la etiqueta al dorso de la puerta del gabinete más cercano y la etiqueta de aviso al calentador de agua. Deje la Hoja de Instrucciones para referencia del dueño/usuario.

ADVERTENCIA: Esta válvula termostática está diseñada para minimizar los efectos de los cambios de temperatura de agua por causa de los cambios de presión y de temperatura en el agua de entrada, comúnmente causados por lavadoras de platos, lavadoras de ropa, inodoros, y otros aparatos por el estilo. **Puede no proporcionar protección de quemaduras de agua caliente cuando hay alguna falla de otros aparatos para el control de temperatura en otro sitio en el sistema de plomería. También no proporcionará protección si el pomo para el ajuste de la temperatura no está apropiadamente fijo o si cambia la temperatura del agua caliente después de hacer los ajustes o si los cambios del agua de entrada son por los cambios estacionales.**

ADVERTENCIA: No instale un aparato de corte o cierre en cualquiera de las tomas de esta válvula. Cuando este tipo de aparato cierra el flujo de agua, puede hacer fallar la habilidad de la válvula de balancear las presiones del agua caliente y fría.

Garantía Limitada De Por Vida de la Llave y su Acabado

Todas las piezas y acabados de la llave Brizo® están garantizados al consumidor comprador original, de estar libres de defectos de material y fabricación, por el tiempo que el consumidor comprador original sea dueño de su casa. Delta Faucet Company recomienda que use un plomero profesional para todas las instalaciones y reparaciones.

Delta reemplazará, LIBRE DE CARGO, durante el período de garantía, cualquier pieza o acabado que pruebe tener defectos de material y/ o fabricación bajo instalación normal, uso y servicio. Piezas de repuesto pueden ser obtenidas llamando al 1-877-345-BRIZO (2749) (en los Estados Unidos y Canada) o escribiendo a:

En los Estados Unidos:

Delta Faucet Company
Product Service
55 E. 111th Street
Indianapolis, IN 46280

En Canada:

Masco Canada Limited, Plumbing Group
350 South Edgeware Road
St. Thomas, Ontario, Canada N5P 4L1

Esta garantía es extensiva en lo que cubre el reemplazamiento de todas las piezas defectuosas y hasta el acabado, pero éstas son las únicas dos cosas que están cubiertas. CARGOS DE LABOR Y/O DAÑOS INCURRIDOS EN LA INSTALACIÓN, REPARACIÓN, O REEMPLAZAMIENTO COMO TAMBIÉN

CUALQUIER OTRO TIPO DE PÉRDIDA O DAÑOS ESTÁN EXCLUIDOS. Prueba de compra (recibo original de venta) del comprador consumidor original debe de ser disponible a Delta para todos los reclamos. ESTA ES LA GARANTÍA EXCLUSIVA DE DELTA FAUCET COMPANY, QUE NO HACE CUALQUIER OTRA GARANTÍA DE CUALQUIER TIPO, INCLUYENDO LA GARANTÍA IMPLÍCITA DE COMERCIALIZACIÓN.

Esta garantía excluye todo uso industrial, comercial y de negocio, a cuyos compradores se les da una garantía limitada extendida de cinco años desde la fecha de compra, con todos los otros términos de esta garantía aplicados, excepto el de duración de ésta. Esta garantía es aplicable a las llaves de Brizo® fabricadas después de Enero 1, 1995.

Algunos estados/provincias no permiten la exclusión o limitación de daños incidentales o consecuentes, de manera que la limitación o exclusión arriba escrita puede no aplicarle a usted. Cualquier daño a esta llave, resultado del mal uso, abuso, o descuido, o cualquier otro uso de piezas de repuesto que no sean genuinas de Delta® ANULARÁN LA GARANTÍA.

Esta garantía le da derechos legales específicos, y usted puede, también tener otros derechos que varían de estado/provincia a estado/provincia. Es aplicable sólo a las llaves Brizo® instaladas en los Estados Unidos de America, Canada y Mexico.

© 2011 Masco Corporación de Indiana

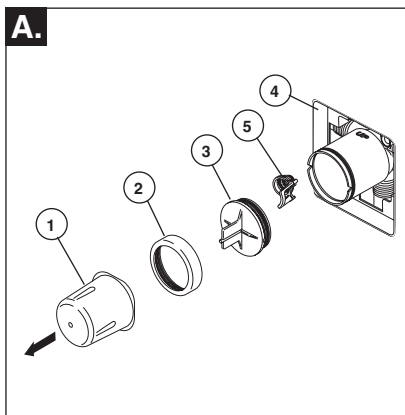
Limpieza y Cuidado de su Llave

Tenga cuidado al ir a limpiar este producto. Aunque su acabado es sumamente durable, puede ser afectado por agentes de limpieza o para pulir abrasivos. Para limpiar

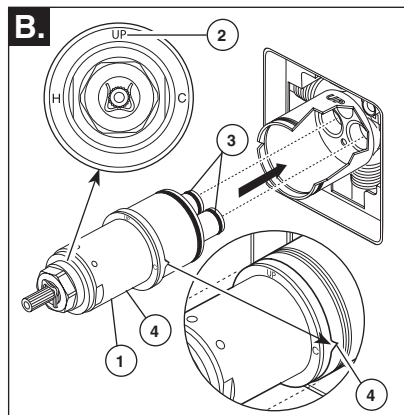
su llave, simplemente frótelas con un trapo húmedo y luego séquelas con una toalla suave.

1

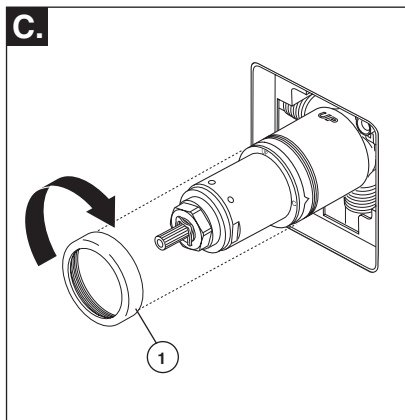
Instalación del Cartucho



Cierre los suministros de agua. Quite la cubierta (1), la tuerca tapa (2) y la tapa de prueba (3). Si no es para instalar en pared delgada, puede quitar el protector (4) de yeso completo. Si la pantalla (5) está en lugar, quite antes de instalar el cartucho.

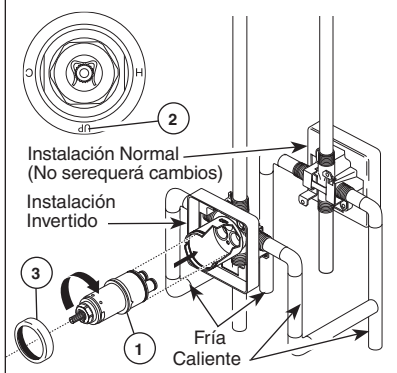


Gire el cartucho (1) de manera que la palabra "UP" (2) aparezca encima. Introduzca el cartucho en el cuerpo de la válvula como se muestra. Asegúrese que los tubos del cartucho y los aros O (3) estén debidamente sentados en los agujeros en la base del cuerpo. Asegúrese que los dentados estén completamente encajados en las muescas del cuerpo (4).



Deslice la tuerca tapa (1) sobre el cartucho y enrosque en el cuerpo de la válvula. Apriete a mano bien.

Instalación de Espalda a Espalda

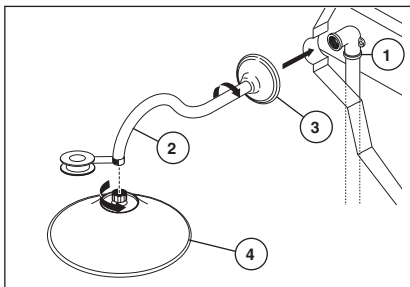


En las instalaciones dorso con dorso (el agua caliente en la derecha y la fría en la izquierda): Gire el cartucho (1) así que la palabra "UP" de (2) aparece en el fondo. Instale el cartucho asegurándose que los dentados estén completamente enganchados en las muescas en el cuerpo de bronce (vea la página B). Deslice la tuerca tapa (3) sobre el cartucho y enrosque en el cuerpo de la válvula. Apriete a mano bien.

Instalación de la Serie 60

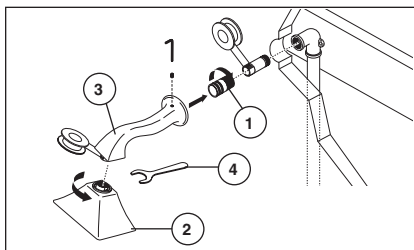
2

Instalación de la Cabeza de la Regadera y el Surtidor de la Bañera



PARA LAS INSTALACIONES DE LAS CABEZAS DE REGADERA:

Conecte la toma de salida de agua superior (1) al brazo de la regadera (2) con los accesorios apropiados. Para prevenir daño al acabado del brazo de la regadera, introduzca el extremo que va hacia la pared del brazo de la regadera dentro del borde (3) antes de atornillar el brazo en la conexión de la tubería vertical. Aplique cinta Teflon® a los enrosques de la tubería. No apriete demasiado la cabeza de la regadera.



PARA LA INSTALACIÓN DE LA CABEZA ROTATORIA DE LA REGADERA RSPV™ Y DEL BRAZO DE LA REGADERA:

Para extender la tubería que sobrepase la pared acabada de 3/8" a 1/2", instale un tubo de unión enroscado de 1/2". Aplique cinta de Teflon® a la parte enroscada del tubo de unión enroscado y atornille fijamente el adaptador de bronce (1) en la enterrosca. Aplique cinta de Teflon® al extremo de la tubería de salida del brazo de la regadera y atornille la cabeza de la regadera (2) en el brazo de la regadera (3), use la llave de tuercas proporcionada (4) para apretar fijamente. Inspeccione la posición del tornillo de ajuste sobre el brazo de la cabeza de la regadera (3) asegurándose que no está sobrepasando hasta dentro de la abertura donde pudiera interferir con el ensamble. Deslice el brazo de la regadera y el ensamble de la cabeza de la regadera sobre el adaptador y apriete el tornillo de ajuste contra el adaptador.

PARA LA INSTALACIÓN DEL SURTIDOR DE LA BAÑERA:

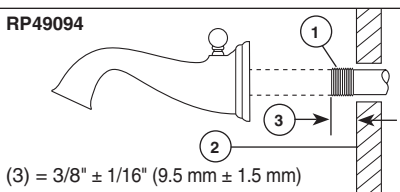
Instale una enterrosca de tubo de 1/2" (13 mm) (1) de manera que sobresalga la pared acabada (2) como en la dimensión (3).

No se recomienda la conexión en paredes de tubos de salida que son para la instalación en el área de los bordes. Tampoco se recomienda el uso de regaderas de mano conectadas a los tubos de salida de bañeras, en combinación bañera/regadera, con desviador de botón a presión, o regaderas de mano conectadas en lugar de un tubo de salida de bañera a una válvula de bañera/regadera.

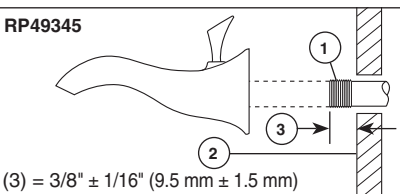
La tubería entre el cuerpo de la válvula y el tubo de salida de la bañera debe ser de tubo de cobre de un mínimo de 1/2" (13 mm) o tubo de hierro de 1/2" (13 mm) en caída **recta** no menos de 8" (203 mm) pero

no más de 18" (457 mm) de largo con sólo un codo de 90°, de hierro o cobre, a la enterrosca del tubo de salida de agua. Aplique cinta Teflon® a las roscas en las enterrosca del tubo y atornille el tubo de salida.

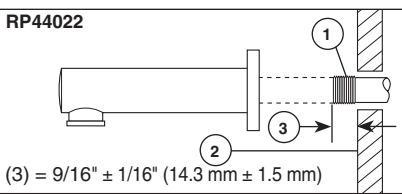
RP49094



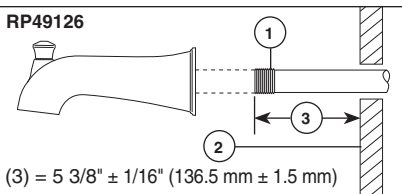
RP49345



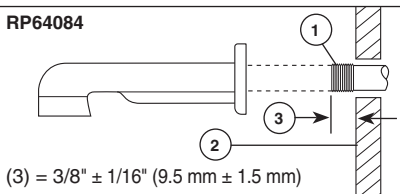
RP44022



RP49126



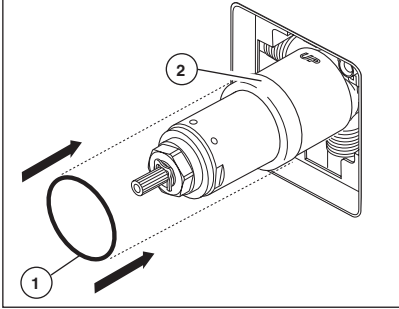
RP64084



3

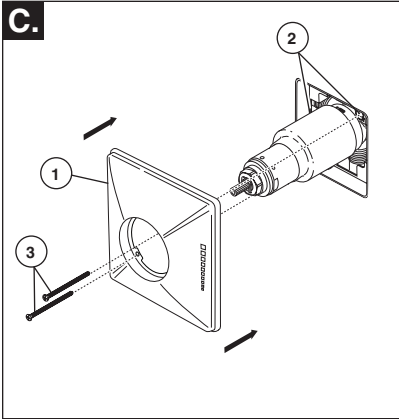
Instalación Final

A.



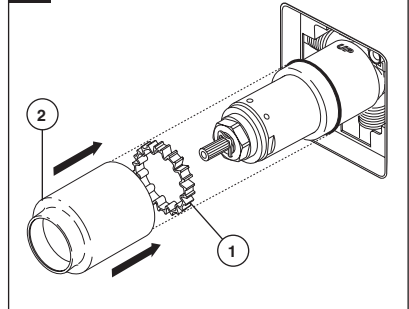
Deslice el aro O (1) sobre el cartucho y la tuerca tapa (2). El aro O, el cual funciona como un separador para estabilizar la manga, debe quedar apoyado en la tuerca tapa.

C.



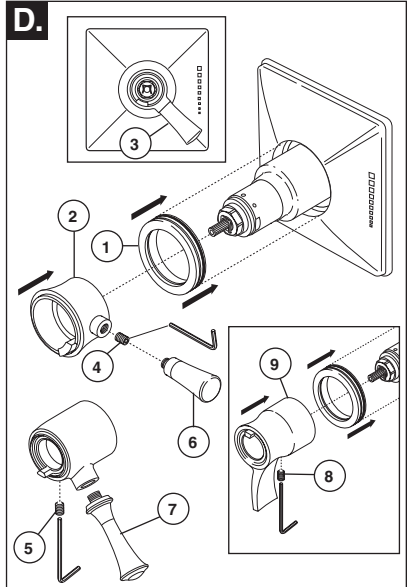
Fije la roseta con orificio (1) al soporte (2) usando los 2 tornillos suministrados (3). No apriete demasiado los tornillos de la roseta.

B.



Si su modelo requiere un separador (1), insértelo en la manga (2). Deslice la manga sobre el cartucho, el cuerpo de la pieza y el aro O. Asegure la cubierta de ajuste se coloca correctamente sobre el frente del cartucho de la ducha. **Nota:** Los modelos RSVPTM (series T60X90) no requieren un separador (1).

D.



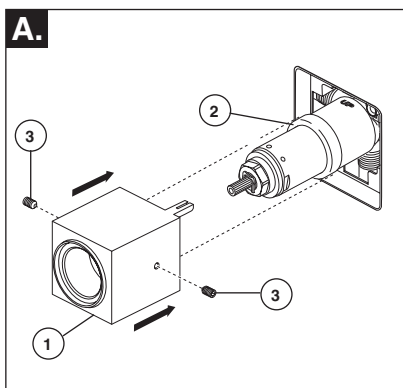
Resbale el excedente del anillo del ajuste (1) el cartucho y la manga y dentro del escudo. Instale la base de la manija de control de volumen (2) con la maneta palanca a la derecha como (3) demostrado. Instale el tornillo de presión (4) o (5) seguido por la palanca de la manija (6) o (7).

Para los modelos RSVPTM, la palanca debe estar señalando hacia abajo a la posición de la 6 en el reloj. Instale el tornillo de ajuste (8) en la manija (9). Empuje la manija en el cartucho y apriete el tornillo de ajuste para fijar la manija.

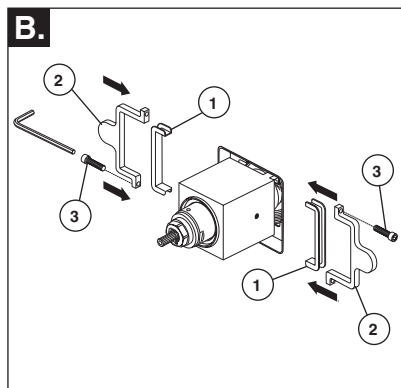
Instalación de la Serie 60

3

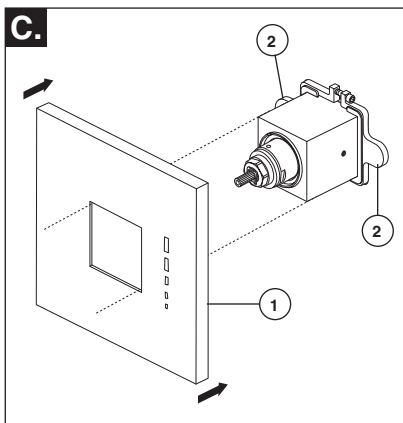
Instalación Final Para Siderna™



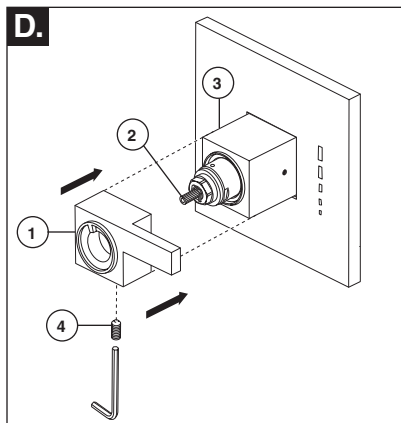
Deslice el accesorio del casquillo o manga (1) sobre el cartucho y la tuerca tapa (2). Cuando el casquillo esté colocado adecuadamente, apriete los 2 tornillos de ajuste (3) para fijar.



Ensamble los casquillos de instalación (1) y dos chapas de instalación (2). Deslice los ensambles de chapas de instalación por los costados del accesorio del casquillo, como se muestra. Enrosque los tornillos (3) en las chapas de instalación lo suficiente para ensamblar juntos los dos costados. Deslice las chapas de instalación hacia atrás, contra la pared, y termine de apretar los tornillos (3).



Coloque el orificio central del chapetón (1) sobre el casquillo del accesorio y cuidadosamente empuje de nuevo hasta las chapas de instalación (2). Los imanes en la parte posterior del chapetón lo mantendrá en su lugar.

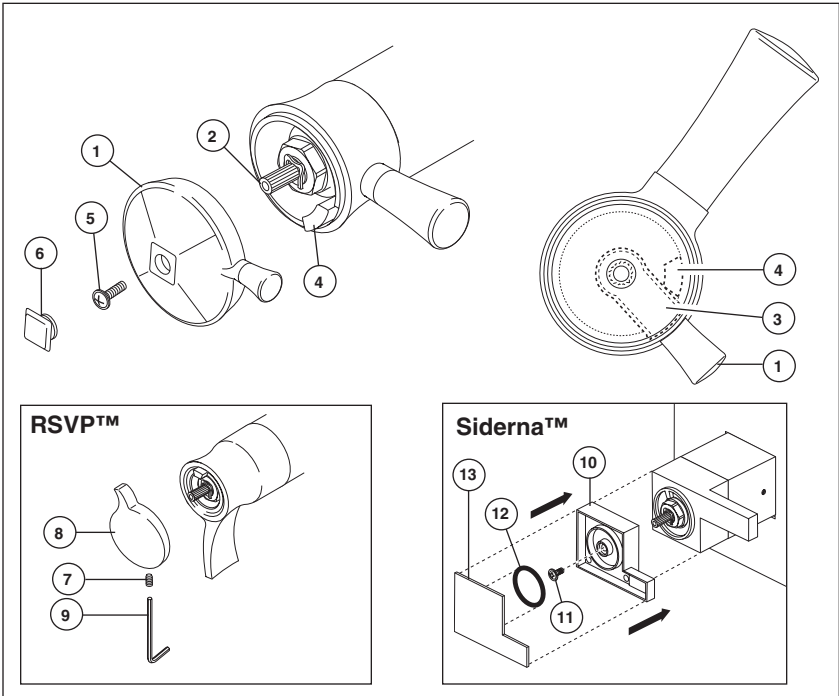


Coloque la manija del control del volumen (1) sobre el vástago de válvula (2) y sobre la manga del ajuste (3). Asegure la manija con el tornillo de presión (4).

Instalación de la Serie 60

4

Instalación y Ajuste del Pomo de Temperatura El no hacerlo puede causar lesión.



¡Ajuste el tope del límite de temperatura! Abra los suministros de agua; deje que corra el agua caliente y fría totalmente abierta para asegurar que el agua está fluyendo lo más caliente/fría posible. Coloque un termómetro en un vaso plástico, y sostenga el vaso bajo un chorro de agua. Coloque la perilla de temperatura (1) en las ranuras (2), luego gire la perilla de temperatura hasta que logre su temperatura máxima deseada de salida (no más de 120° ó la temperatura más baja autorizada por su código local de plomería). Quite el pomo de la temperatura y colóquela otra vez en las ranuras (2), asegurándose que el pomo del tope del límite de la temperatura (3) pegue contra la manija del tope del límite del volumen (4) como se muestra. Fije el pomo de la temperatura usando un tornillo (5) y coloque la tapa (6) en el pomo.

Para los modelos RSVP™ (series T60X90), la palanca que controla la temperatura del agua está supuesta a señalar hacia la posición 12 en el reloj. Una vez que haya conseguido la posición deseada como se indica en las instrucciones arriba, enrosque el tornillo de ajuste (7) en la manija (8) y fíjela a la espiga de la válvula apretando el tornillo de ajuste con una llave Allen (9) incluida

Para los modelos de Siderna™ (serie T60X80), coloque la manija de la temperatura (perilla) (10) sobre vástago de válvula y asegure con el tornillo (11). Asegúrese que el anillo o (12) esté montado en el casquillo de la manija (13). Instale el casquillo de la manija presionándolo en lugar encima de la manija de la temperatura (10).

Mantenimiento de la Serie 60

Si la llave de agua tiene una filtración o escape de agua desde el surtidor o la cabeza de la regadera:

CIERRE LOS SUMINISTROS DE AGUA. Cambie el Ensamble del cartucho – Piezas de Repuesto RP47201.

Si no fluye el agua:

Verifique que el lado caliente del cartucho esté instalado en la línea de fuente de la agua caliente. Si no es, dé vuelta apagado a los abastecimientos de agua y mueva de un tirón el cartucho.



Inscrivez le numéro de modèle ici.

Pour installer votre robinet Brizo® facilement, vous devez:

- LIRE TOUTES les instructions avant de débiter.
- LIRE TOUS les avertissements ainsi que toutes les instructions de nettoyage et d'entretien.

Articles dont vous pouvez avoir besoin:

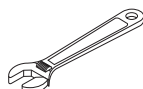
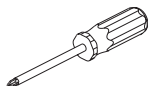


Table des matières

Garantie	Page 2
Instructions d'installation	Pages 3 - 7
Maintenance	Page 7
Pièces de rechange	Pages 8-13

Le robinet satisfait aux exigences des normes ASME A112.18.1/CSA B125.1 et ASSE 1016 ou les surpasse.

ATTENTION: L'installateur doit régler l'appareil pour que la température maximale de l'eau chaude soit sans danger. Toute modification des réglages peut entraîner une élévation de la température à la sortie du robinet au delà de la température sans danger et pourrait causer un échaudage.

AVIS À L'INSTALLATEUR : ATTENTION! – En qualité d'installateur, vous êtes tenu d'INSTALLER et de RÉGLER ce robinet conformément aux instructions. Ce robinet ne s'adapte pas automatiquement aux fluctuations de la température de l'eau d'alimentation. Par conséquent, il faut régler le bouton de température au moment de l'installation et il peut être nécessaire de faire de nouveaux réglages par la suite en raison des fluctuations saisonnières de la température de l'eau. VOUS DEVEZ informer le propriétaire ou l'utilisateur de cette exigence. En cas de doute quant à la marche à suivre pour faire ces réglages, veuillez consulter page 7 si un doute persiste, et si cette incertitude persiste, appelez-nous au 1-877-345-BRIZO (2749).

Après avoir terminé l'installation et le réglage, vous devez inscrire, sur l'étiquette de mise en garde fournie, votre nom, le nom de votre entreprise et la

date à laquelle vous avez réglé le bouton de température, puis fixer l'étiquette à l'endos de la porte de la coiffeuse. Vous devez également fixer l'étiquette d'avertissement au chauffe-eau. **Veuillez laisser ce feuillet d'instructions au propriétaire ou à l'utilisateur pour qu'il puisse le consulter au besoin.**

MISE EN GARDE – Ce robinet thermostatique pour baignoire est conçu pour limiter les effets des fluctuations de température de l'eau causées par les variations de la pression et la température attribuables au fonctionnement d'un lave-vaisselle, d'une machine à laver, d'un cabinet d'aisances ou d'un autre appareil qui consomme de l'eau. Il peut ne pas protéger l'utilisateur contre l'échaudage en cas de défectuosité d'un autre dispositif de régulation de la température, si de haute température ou du bouton de température est mauvais, si la température de l'eau chaude a été modifiée après que les réglages ont été effectués ou si la température de l'eau d'alimentation a changé en raison du changement de saison.

MISE EN GARDE – N'installez pas de dispositif d'arrêt sur une sortie quelconque de ce robinet. En interrompant l'écoulement de l'eau, ce dispositif peut empêcher le robinet d'équilibrer les pressions d'eau chaude et d'eau froide.

GARANTIE À VIE LIMITÉE DES ROBINETS ET DE LEURS FINIS

Toutes les pièces et les finis du robinet Brizo® sont protégés contre les défauts de matériau et les vices de fabrication par une garantie qui est consentie au premier acheteur et qui demeure valide tant que celui-ci demeure propriétaire de sa maison. Delta recommande de faire appel à un plombier compétent pour l'installation et la réparation du robinet.

Pendant la période de garantie, Delta remplacera GRATUITEMENT toute pièce ou tout fini, présentant une défectuosité de matériau ou un vice de fabrication pour autant que l'appareil ait été installé, utilisé et entretenu correctement. Pour obtenir des pièces de rechange, veuillez communiquer par téléphone au numéro 1-877-345-BRIZO (2749) (aux États-Unis ou au Canada) et par écrit à l'une des adresses suivantes :

Aux États-Unis

Delta Faucet Company
Product Service
55 E. 111th Street
Indianapolis, IN 46280

Au Canada

Masco Canada Limited, Plumbing Group
350 South Edgeware Road
St. Thomas, Ontario, Canada N5P 4L1

La présente garantie s'applique au remplacement de toutes les pièces défectueuses, y compris le fini, et elle ne couvre que ces éléments. **LES FRAIS DE MAIN-D'OEUVRE ET (OU) LES DOMMAGES PROVOQUÉS AU COURS DE L'INSTALLATION, DE LA RÉPARATION OU DU REMPLACEMENT D'UN ÉLÉMENT AINSI QUE LES PERTES OU DOMMAGES**

DE TOUTE AUTRE NATURE NE SONT PAS COUVERTS PAR LA GARANTIE. Toute réclamation en vertu de la présente garantie doit être adressée à Delta, accompagnée de la preuve d'achat (original de la facture) du premier acheteur. **CETTE GARANTIE EST LA SEULE OFFERTE PAR DELTA FAUCET COMPANY OU DELTA FAUCET CANADA, SELON LE CAS. ELLE EXCLUT TOUTE AUTRE GARANTIE, Y COMPRIS LA GARANTIE IMPLICITE DE QUALITÉ MARCHANDE.**

Les robinets installés dans un établissement industriel ou commercial ou dans une place d'affaires sont protégés par une garantie élargie de cinq ans qui prend effet à compter de la date d'achat. Toutes les autres conditions de la garantie de cinq ans sont identiques à celle de la présente garantie. La présente garantie s'applique à tous les robinets Brizo® fabriqués après le 1er janvier 1995.

Dans les États ou les provinces où il est interdit d'exclure ou de limiter les responsabilités à l'égard des dommages indirects ou fortuits, les exclusions et les limites susmentionnées ne s'appliquent pas. Les dommages résultant d'une mauvaise utilisation, d'une utilisation abusive de la négligence ou de l'utilisation de pièces autres que des pièces d'origine Delta® **RENDENT LA GARANTIE NULLE ET SANS EFFET.**

La présente garantie vous donne des droits précis qui peuvent varier selon votre lieu de résidence. Elle ne s'applique qu'aux robinets Brizo® installés aux États-Unis, au Canada et au Mexique.

© 2011 Division de Masco Indiana

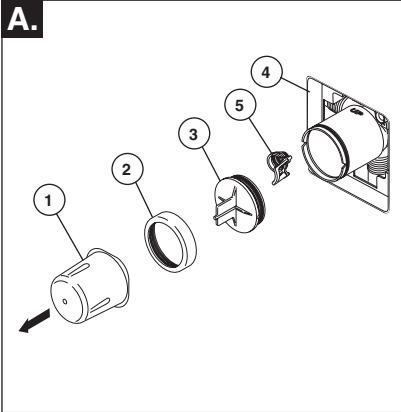
Instructions de nettoyage

Il faut le nettoyer avec soin. Même si son fini est extrêmement durable, il peut être abîmé par des produits fortement abrasifs ou des produits de polissage. Il faut

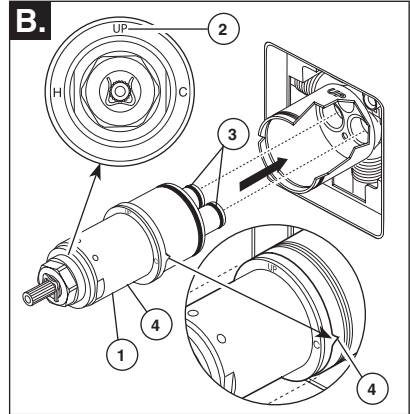
simplement le frotter doucement avec un chiffon humide et le sécher à l'aide d'un chiffon doux.

1

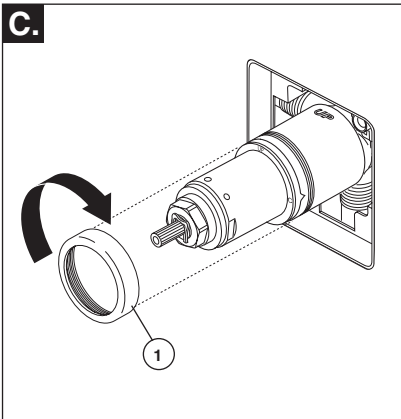
Installation de la cartouche.



Interrompez l'arrivée d'eau. Enlevez le couvercle (1), l'écrou à portée sphérique (2) et le capuchon d'essai (3) du corps. Si vous n'installez pas l'appareil dans une paroi mince, vous pouvez retirer le protecteur (4) complètement. Si l'écran (5) est en place, enlevez avant d'installer la cartouche.

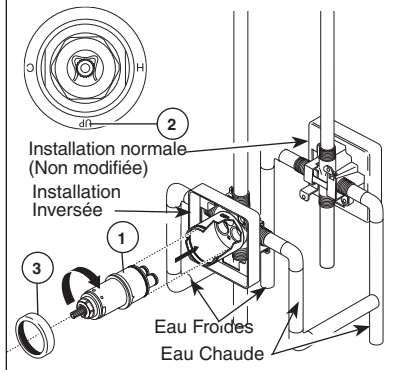


Tournez la cartouche (1) de sorte que le mot « UP » (2) se trouve sur le dessus. Introduisez la cartouche dans le corps de la soupape comme le montre la figure. Assurez-vous que les tubes et les joints toriques (3) sont bien calés dans les orifices à la base du corps. Assurez-vous que les ergots sont parfaitement engagés dans les rainures du corps (4).



Faites glisser l'écrou à portée sphérique (1) sur la cartouche et vissez-le sur le corps. Serrez à la main fermement.

Installation dos à dos

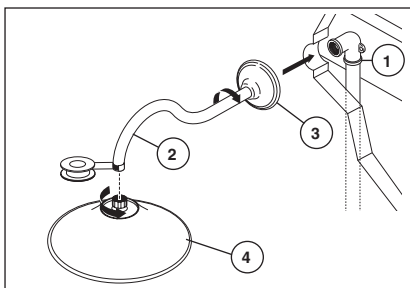


Dans le cas d'une installation dos à dos ou inversée (eau chaude à droite et eau froide à gauche) : Tournez la cartouche (1) de sorte que le mot « UP » (2) se trouve sur le dessus. Installez la cartouche en vous assurant que les ergots sont introduits entièrement dans les rainures du corps de laiton (reportez-vous à l'étape B). Faites glisser l'écrou à portée sphérique (3) sur la cartouche et vissez-le sur le corps. Serrez à la main fermement.

Installation – Série 60

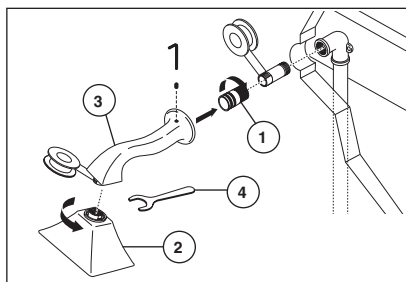
2

Installation de la pomme de douche et du bec de baignoire



INSTALLATION DE LA POMME DE DOUCHE :

Raccordez la sortie supérieure (1) au tuyau d'alimentation de la pomme de douche (2) à l'aide des raccords appropriés. Pour éviter d'abîmer le fini du tuyau de la pomme de douche, introduisez le côté « mur » de celui-ci dans la collerette (3) avant de le visser dans le raccord du tuyau vertical. Appliquez du ruban de Téflon® sur les filets. Vissez la pomme de douche (4) sur le tuyau. Appliquez du ruban de Téflon® sur les filets. Prenez garde de serrer la pomme de douche excessivement.



INSTALLATION DU BRAS DE DOUCHE ET DE LA POMME DE DOUCHE RSVP^{MC} :

Installez un manchon fileté 1/2 po de manière qu'il présente une saillie de 3/8 po à 1/2 po par rapport à la surface finie du mur. Appliquez du ruban de Téflon® sur le filetage à la sortie du bras de douche et vissez la pomme de douche (2) sur le bras de douche (3) au moyen de la clé (4) fournie. Serrez fermement. Vérifiez la position de la vis de calage sur le dessus du bras de douche (3) en vous assurant qu'elle n'est pas coincée dans l'ouverture à l'intérieur où elle pourrait nuire. Faites glisser le bras de douche et la pomme de douche sur l'adaptateur et vissez-les contre l'adaptateur.

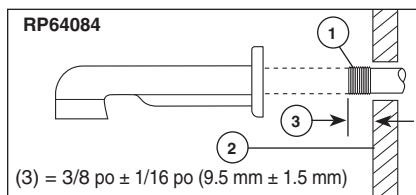
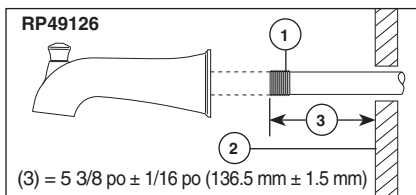
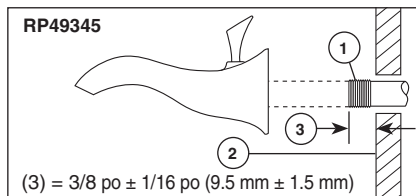
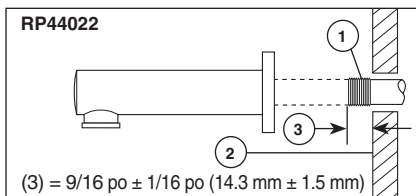
INSTALLATION DU BEC DE BAIGNOIRE:

Installez un manchon fileté de 1/2 po (13 mm) (1). La saillie par rapport à la surface finie du mur (2) doit être conforme à la dimension (3).

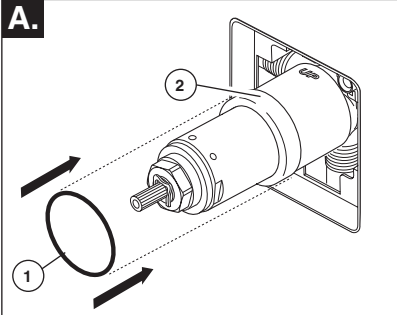
Il est déconseillé de connecter un bec de robinet de comptoir sur une valve murale. De même il est déconseillé d'utiliser une doche à main dans la combinaison baignoire et douche avec bouton-poussoir inverseur.

Le tuyau entre le corps du robinet et le bec de bain doit consister en un tuyau de cuivre ou en un tuyau de fer d'au moins 1/2 po (13 mm), long d'au moins 8 po (203 mm) et d'au plus 18 po (457 mm). Ce tuyau doit être droit, installé à la verticale et raccordé au

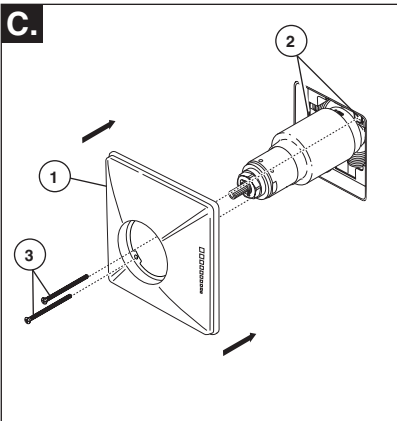
manchon fileté du bec par un seul coude de 90 degrés en fer ou en cuivre. Appliquez du ruban Téflon® sur les filets du manchon fileté et vissez le manchon sur le bec.



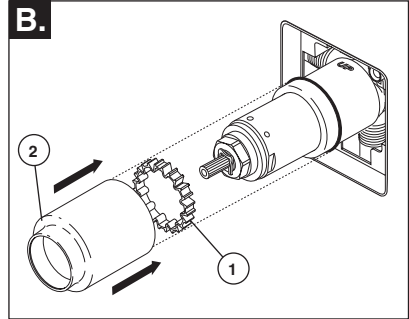
3 Installation des pièces de finition



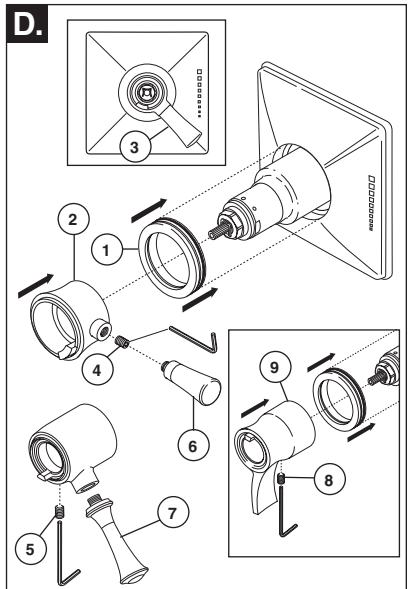
Faites glisser le joint torique (1) sur la cartouche et l'écrou à portée sphérique (2). Le joint sert de pièce d'espacement et il stabilise le manchon; il doit se trouver derrière l'écrou à portée sphérique.



Fixez la rosace (1) sur le support (2) à l'aide des 2 vis fournies (3). Prenez garde de serrer les vis de la rosace excessivement.



Si le modèle que vous installez nécessite une pièce d'espacement (1), introduisez-la dans le manchon (2). Faites glisser le manchon sur la cartouche, le corps et le joint torique. Assurez la couverture d'équilibre est correctement placé au-dessus de l'avant de la cartouche de douche. **Note :** les modèles RSVPM^{MC} (série T60X90) n'exigent pas de pièce d'espacement (1).



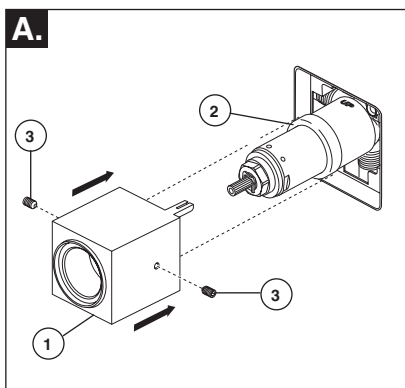
Glissez l'excédent de l'anneau d'équilibre (1) la cartouche et la douille et dans le cache. Installez la base de poignée de commande de volume (2) avec la poignée de levier vers la droite en tant que (3) montré. Installez la vis de réglage (4) ou (5) suivie du levier de poignée (6) ou (7).

Sur le modèles RSVPM^{MC}, la manette doit être orientée à 6 heures. Installez la vis de calage (8) dans la poignée (9). Poussez la poignée sur la cartouche de la soupape et serrez la vis de calage pour immobiliser la poignée.

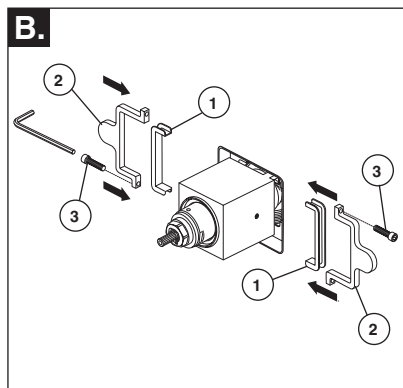
Installation – Série 60

3

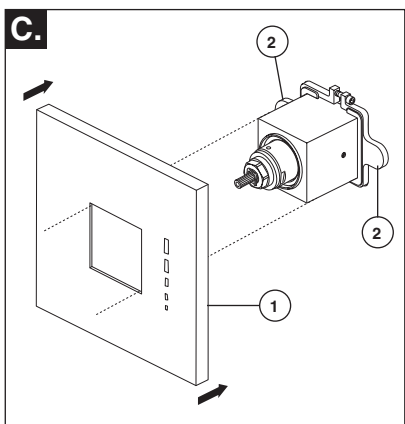
Installation des pièces de finition - Siderna^{MC}



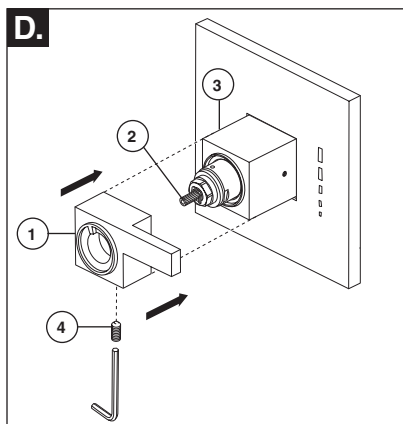
Glissez le manchon de finition (1) sur la cartouche et l'écrou-chapeau (2). Lorsque le manchon est placé correctement, serrez les 2 vis de calage (3) pour l'immobiliser.



Assemblez les deux manchons (1) et les deux plaques de montage (2). Glissez les plaques de montage sur les côtés du manchon de finition comme le montre la figure. Introduisez les vis (3) dans les plaques de montage et serrez-les juste assez pour retenir les 2 côtés ensemble. Remplacez les plaques de montage contre le mur en les faisant glisser et finissez de serrer les vis (3).



Placez le trou au centre de la plaque de finition (1) sur le manchon de finition et ramenez celle-ci doucement vers les plaques de montage (2) en la poussant. Les aimants à l'endos de la plaque de finition la maintiendront en place.

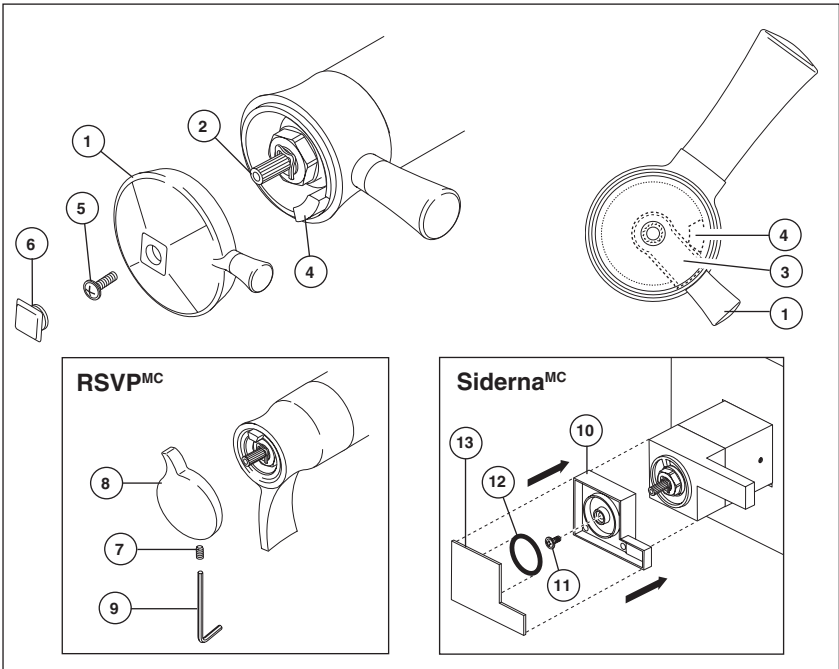


Placez la poignée de control de volume (1) au-dessus de la tige de valve (2) et sur la douille d'équilibre (3). Fixez la poignée avec la vis de réglage (4).

4

Installation et réglage du bouton de température

Il y a risque de blessure si le bouton de température n'est pas réglé.



Réglez la butée limitatrice de température!

Rétablissez l'alimentation en eau. Laissez couler chaude jusqu'à ce qu'elle soit aussi chaude que possible et faites de même pour l'eau froide. Placez un thermomètre dans un gobelet en plastique et tenez le gobelet sous le jet d'eau. Placez le bouton de température (1) sur les cannelures (2), tournez ensuite le bouton de température jusqu'à ce que vous atteigniez la température maximale désirée à la sortie (la température de l'eau ne doit pas dépasser 120 degrés ou la valeur autorisée par les codes de plomberie de votre localité). Enlevez le bouton de température et replacez-le sur les cannelures (2) en vous assurant que la butée limitatrice de température (3) s'appuie contre la butée de la manette de débit (4) comme le montre la figure. Fixez le bouton de température à l'aide de la vis (5) et placez le capuchon (6) sur le bouton.

Sur les modèles RSVP^{MC} (série T60X90),

la manette de température doit être orientée dans la position 12 heures. Une fois que la manette est positionnée conformément aux instructions qui précèdent, vissez la vis de calage (7) légèrement dans la poignée (8). Calez la poignée en serrant la vis de calage fermement à l'aide de la clé Allen (9) fournie.

Pour des modèles de Siderna^{MC} (série T60X80),

placez la poignée de la température (bouton) (10) sur la tige de valve et la fixez avec la vis (11). Assurez que le joint circulaire (12) est assemblé sur le chapeau de poignée (13). Installez le chapeau de poignée en le pressant dans l'endroit sur la poignée de la température (10).

Maintenance – Série 60

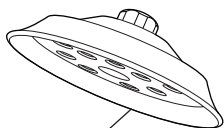
Le robinet fuit par le bec de baignoire ou la pomme de douche :

INTERROMPEZ L'ALIMENTATION EN EAU. Remplacez la cartouche – Kit de réparation RP47201.

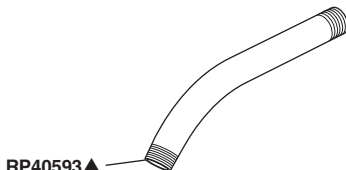
Si l'eau ne coule pas :

Vérifiez que le côté chaud de la cartouche est installé sur la canalisation d'alimentation d'eau chaude. S'il n'est pas, arrêtez les approvisionnements en eau et renversez la cartouche.

T6005, T60205 & T60405 Models / Modelos / Modèles



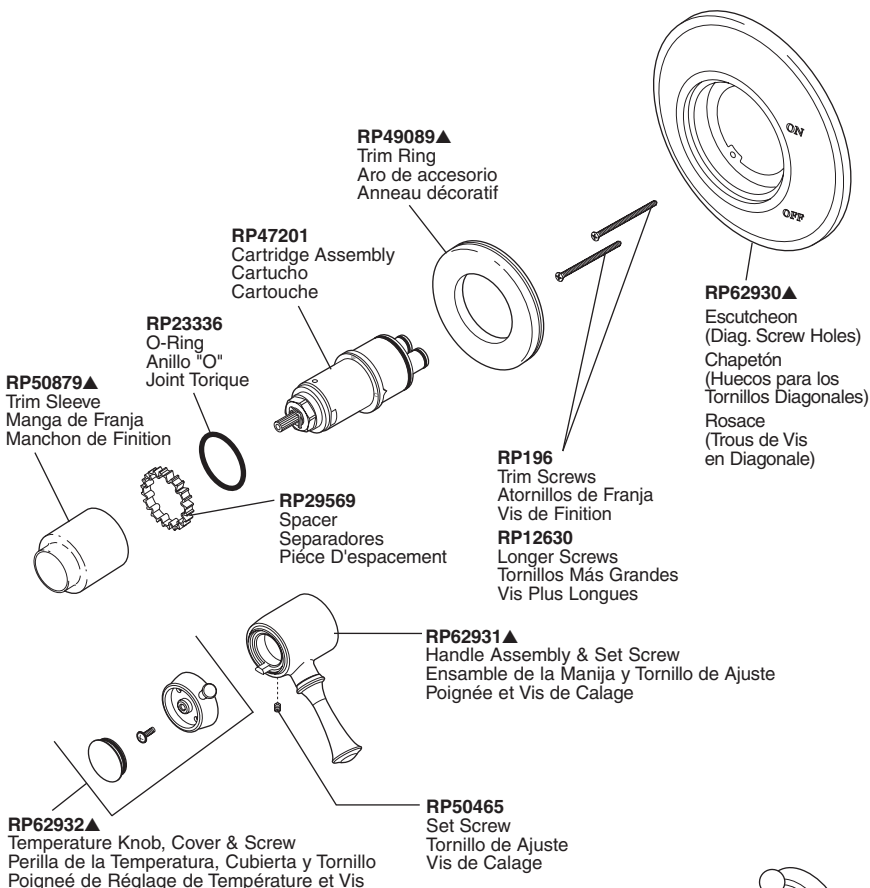
82305▲
Showerhead
Cabeza de Regadera
Pomme de Douche



RP40593▲
Shower Arm
Brazo de Regadera
Tuyau de Pomme de Douche



RP62929▲
Shower Flange
Pestaña de la Regadera
Collerette



RP49089▲
Trim Ring
Aro de accesorio
Anneau décoratif

RP47201
Cartridge Assembly
Cartucho
Cartouche

RP23336
O-Ring
Anillo "O"
Joint Torique

RP50879▲
Trim Sleeve
Manga de Franja
Manchon de Finition

RP29569
Spacer
Separadores
Pièce D'espacement

RP196
Trim Screws
Atornillos de Franja
Vis de Finition

RP12630
Longer Screws
Tornillos Más Grandes
Vis Plus Longues

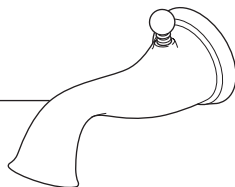
RP62930▲
Escutcheon
(Diag. Screw Holes)
Chapetón
(Huecos para los
Tornillos Diagonales)
Rosace
(Trous de Vis
en Diagonale)

RP62931▲
Handle Assembly & Set Screw
Ensamble de la Manija y Tornillo de Ajuste
Poignée et Vis de Calage

RP62932▲
Temperature Knob, Cover & Screw
Perilla de la Temperatura, Cubierta y Tornillo
Poignée de Réglage de Température et Vis

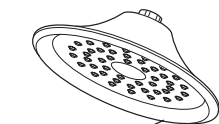
RP50465
Set Screw
Tornillo de Ajuste
Vis de Calage

RP49094▲
Tub Spout/Pull-Up Diverter
Tubo de Salida para Bañera/
Botón Desviador de Alzar
Bec/avec dérivation à trette

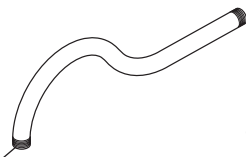


- ▲ Specify Finish
- ▲ Especifica el Acabado
- ▲ Précisez le Fini

T60010, T60210 & T60410 Models / Modelos / Modèles



RP51146▲
Showerhead
Cabeza de Regadera
Pomme de Douche



RP49087▲
Shower Arm
Brazo de Regadera
Tuyau de Pomme de Douche

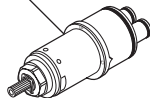


RP34356▲
Shower Flange
Pestaña de la Regadera
Collerette

RP49088
Spacer
Separadores
Pièce D'espacement

RP50879▲
Trim Sleeve
Manga de Franja
Manchon de Finition

RP47201
Cartridge Assembly
Cartucho
Cartouche



RP49089▲
Trim Ring
Aro de accesorio
Anneau décoratif



RP49091▲
Escutcheon
(Diag. Screw Holes)
Chapetón
(Huecos para los
Tornillos Diagonales)
Rosace
(Trous de Vis
en Diagonale)

RP49090
Trim Screws
Atornillos de Franja
Vis de Finition

RP12630
Longer Screws
Tornillos Más Grandes
Vis Plus Longues

RP23336
O-Ring
Anillo "O"
Joint Torique

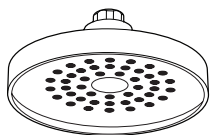
RP49093▲
Handle Assembly
Ensamble de la Manija
Poignée

RP49092▲
Temperature Knob, Cover & Screw
Perilla de la Temperatura, Cubierta y Tornillo
Poignée de Réglage de Température et Vis

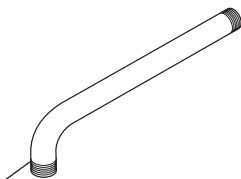
RP49094▲
Tub Spout/Pull-Up Diverter
Tubo de Salida para Bañera/
Botón Desviador de Alzar
Bec/avec dérivation à tirette

- ▲ Specify Finish
- ▲ Especificque el Acabado
- ▲ Précisez le Fini

T60020, T60220 & T60420 Models / Modelos / Modèles



RP44013▲
Showerhead
Cabeza de Regadera
Pomme de Douche



RP44008▲
Shower Arm
Brazo de Regadera
Tuyau de Pomme de Douche



RP44009▲
Shower Flange
Pestaña de la Regadera
Collerette

RP50879▲
Trim Sleeve
Manga de Franja
Manchon de Finition

RP29569
Spacer
Separadores
Pièce D'espacement

RP47201
Cartridge Assembly
Cartucho
Cartouche

RP49089▲
Trim Ring
Aro de accesorio
Anneau décoratif

RP49095▲
Escutcheon
(Diag. Screw Holes)
Chapetón
(Huecos para los
Tornillos Diagonales)
Rosace
(Trous de Vis
en Diagonale)

RP196
Trim Screws
Atornillos de Franja
Vis de Finition

RP12630
Longer Screws
Tornillos Más Grandes
Vis Plus Longues

RP23336
O-Ring
Anillo "O"
Joint Torique

RP49097▲
Handle Assembly
Ensamble de la Manija
Poignée

RP49096▲
Temperature Knob, Cover & Screw
Perilla de la Temperatura, Cubierta y Tornillo
Poignée de Réglage de Température et Vis

RP44011▲
Spout Flange
Brida
Collerette

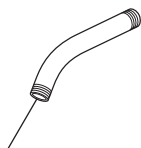
▲ Specify Finish
▲ Especifica el Acabado
▲ Précisez le Fini

RP44022▲
Tub Spout/Pull-Down Diverter
Tubo de Salida para Bañera/Desviador de Halar
Bec/Avec Dérivation sur Embout

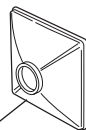
T60040, T60240 & T60440 Models / Modelos / Modèles



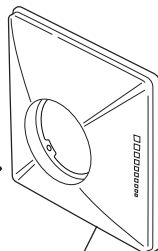
RP42431▲
Showerhead
Cabeza de Regadera
Pomme de Douche



RP40593▲
Shower Arm
Brazo de Regadera
Tuyau de Pomme de Douche



RP42430▲
Shower Flange
Pestaña de la Regadera
Collerette



RP49089▲
Trim Ring
Aro de accesorio
Anneau décoratif

RP47201
Cartridge Assembly
Cartucho
Cartouche

RP49088
Spacer
Separadores
Pièce D'espacement

RP50879▲
Trim Sleeve
Manga de Franja
Manchon de Finition

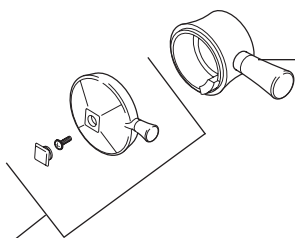
RP49188▲
Escutcheon
(Diag. Screw Holes)
Chapetón
(Huecos para los
Tornillos Diagonales)
Rosace
(Trous de Vis
en Diagonale)

RP49090
Trim Screws
Atornillos de Franja
Vis de Finition

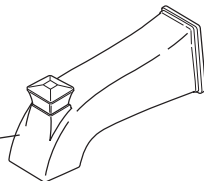
RP12630
Longer Screws
Tornillos Más Grandes
Vis Plus Longues

RP23336
O-Ring
Anillo "O"
Joint Torique

RP49099▲
Handle Assembly
Ensamble de la Manija
Poignée



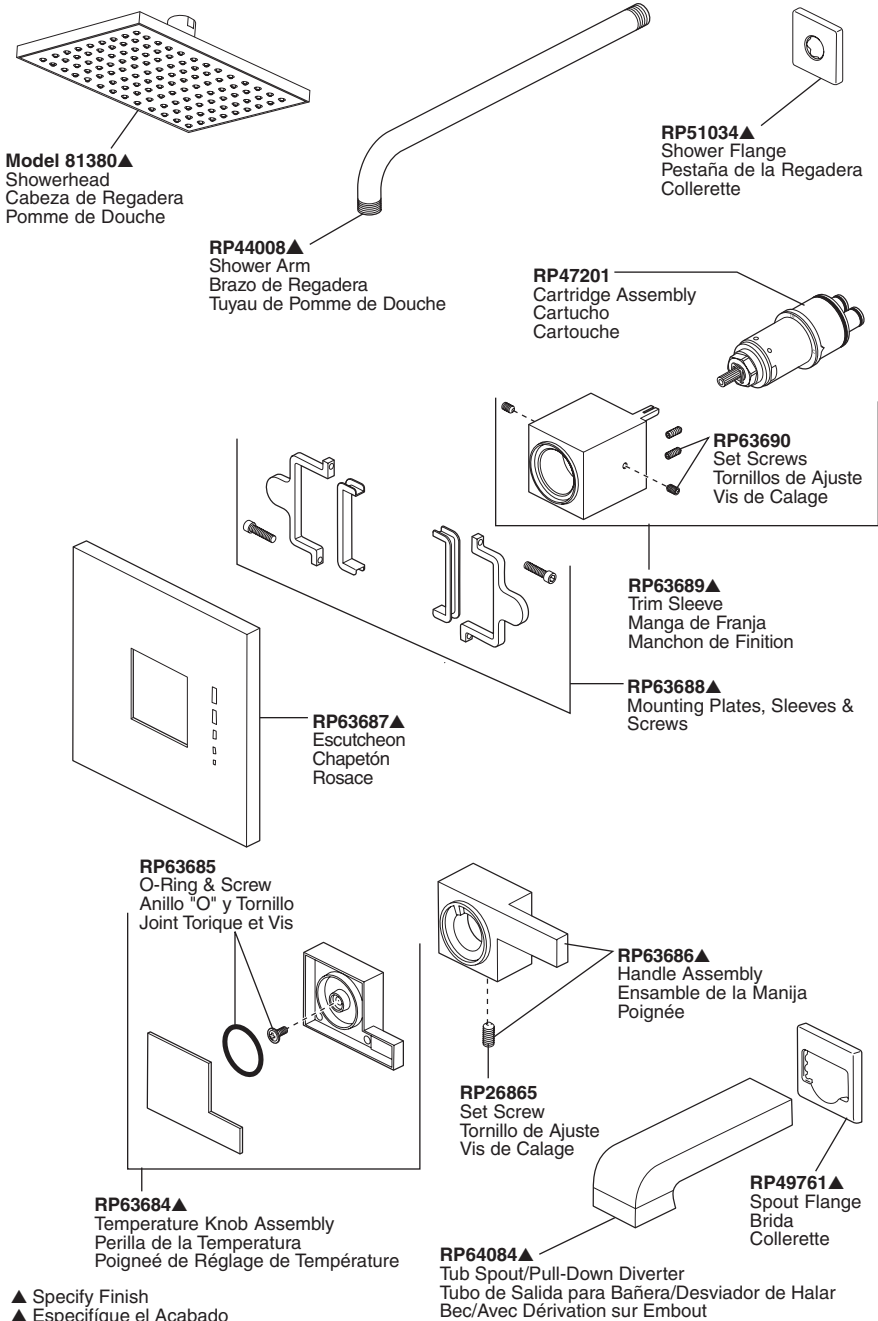
RP49098▲
Temperature Knob, Cover & Screw
Perilla de la Temperatura, Cubierta y Tornillo
Poignée de Réglage de Température et Vis



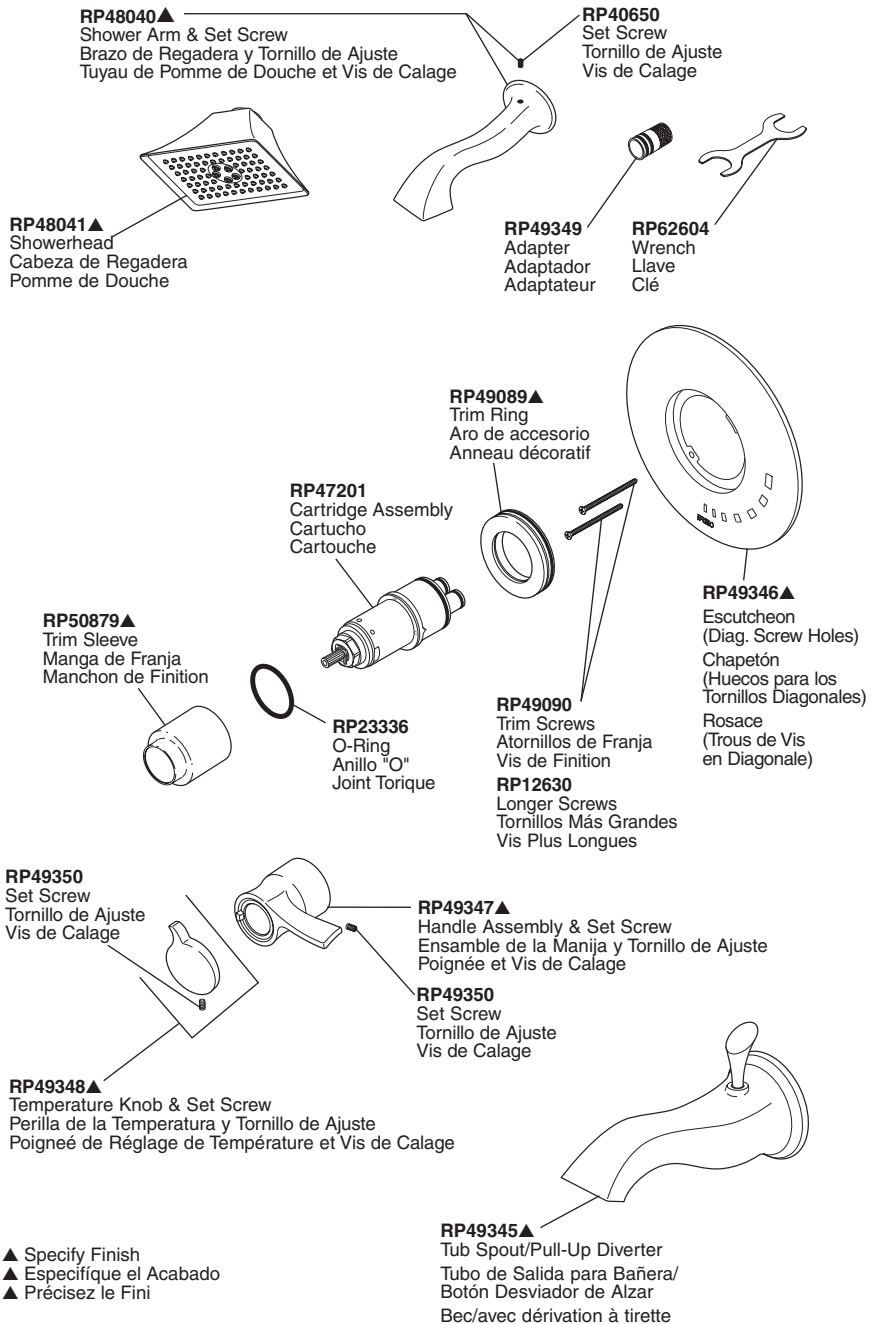
RP49126▲
Tub Spout/Pull-Up Diverter
Tubo de Salida para Bañera/
Botón Desviador de Alzar
Bec/avec dérivation à trette

- ▲ Specify Finish
- ▲ Especifica el Acabado
- ▲ Précisez le Fini

T60080, T60280 & T60480 Models / Modelos / Modèles



T60090, T60290 & T60490 Models / Modelos / Modèles



Notes / Notas / Notes

Notes / Notas / Notes

Delta Faucet Company
Product Service
55 E. 111th Street
Indianapolis, IN 46280