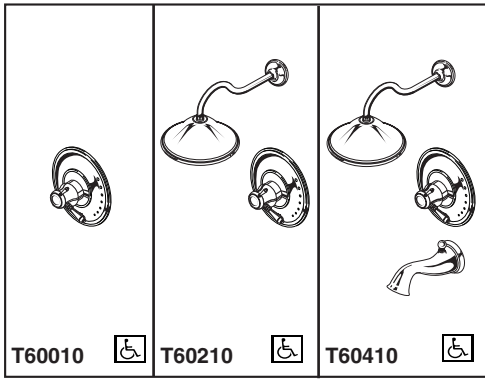


BRIZO®

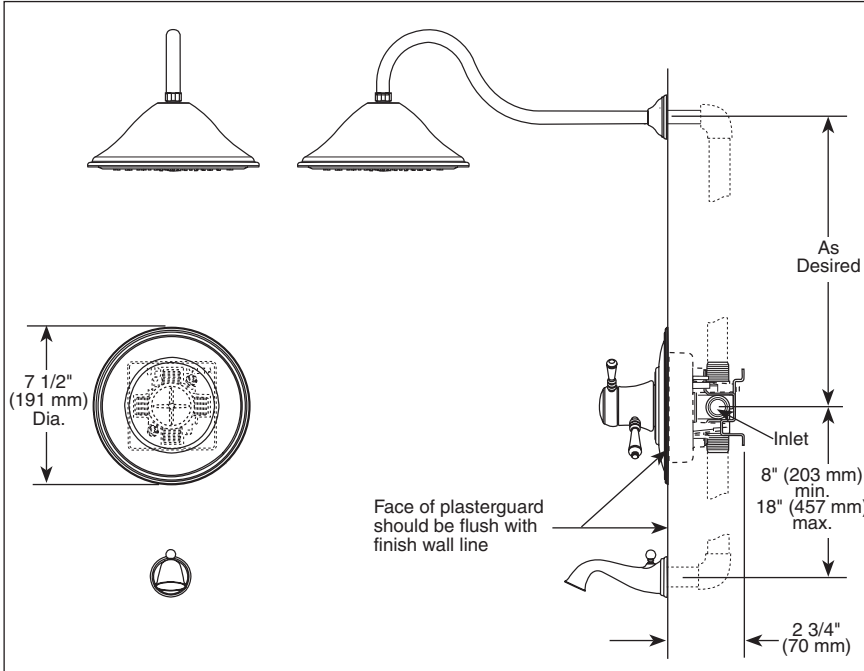
TUB AND SHOWER FAUCET TRIM



- Traditional Bath Collection
- TempAssure® Thermostatic
- Valve Only (T60010)
- Shower Only (T60210)
- Tub/Shower (T60410)

Submitted Model No.: _____

Specific Features: _____



STANDARD SPECIFICATIONS:

- TempAssure® 60 series thermostatic valve cartridge.
- Thermostatic wax element maintains the outlet temperature to $\pm 3.6^\circ\text{F}$.
- Must also order R60000-UNBX rough valve body.
- Back-to-back installation capability.
- Lever volume control handle; temperature adjustment dial.
- Graphics indicate hot/cold temperature adjustment.
- Field adjustable to limit handle rotation into hot water zone.
- All parts replaceable from the front of the valve.
- Adjusts for up to 1" wall thickness.

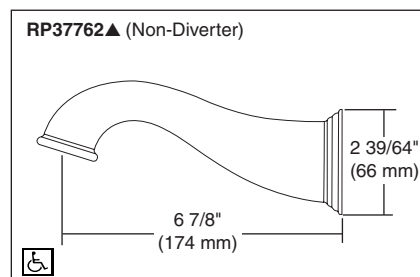
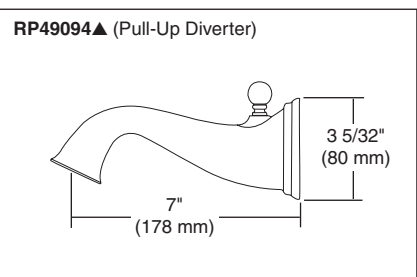
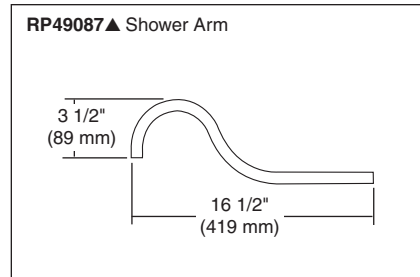
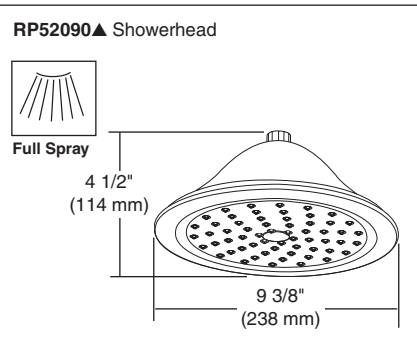
WARRANTY

- Lifetime Faucet and Finish Limited Warranty to the original consumer purchaser to be free from defects in material and workmanship.
- 5 Year Limited Warranty for usage in all industrial, commercial and business applications.

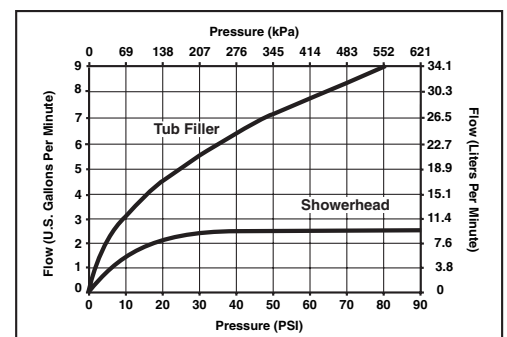


COMPLIES WITH:

- ASME A112.18.1 / CSA B125.1
- ASSE 1016
- Indicates compliance to ICC/ANSI A117.1



▲ Designate proper finish suffix



Delta Faucet Company

Indianapolis, Indiana 46280
A Division of Masco Corporation of Indiana
© 2009 Masco Corporation of Indiana

Delta reserves the right (1) to make changes in specifications and materials, and (2) to change or discontinue models, both without notice or obligation. Dimensions are for reference only. See current full-line price book or www.brizo.com for finish options and product availability.