

85521▲

BRIZO® HAND SHOWER W/ SLIDE BAR

- 3 Function Handshower
- Certified Dual Check Valves
- 35" (889 mm) Slide Bar
- 69" (1753 mm) Metal Hose with Matching Finish

STANDARD SPECIFICATIONS:

- 3 function handshower: massage, full and aerated soft spray.
- Certified dual check valves.
- 35" (889 mm) wall bar with adjustable slide (allows for adjustable shower height). Not to be used as a grab bar. Not ADA compliant.
- 2.0 gpm @ 80 psi (7.6 L/min @ 552 kPa)
- 69" (1753 mm) flexible metal hose in matching finish.
- Wall mount elbow included.

WARRANTY

- Lifetime limited warranty on parts (other than electronic parts and batteries) and finishes: or, for commercial users, for 5 years from date of purchase.
- 5 year limited warranty on electronic parts (other than batteries); or, for commercial users, for 1 year from the date of purchase. No warranty is provided on batteries.

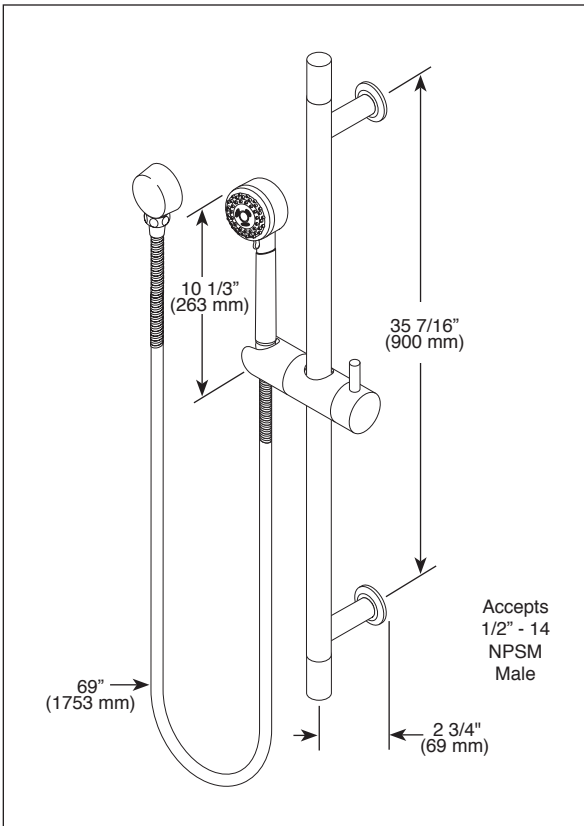


COMPLIES WITH:

- ASME A112.18.1 / CSA B125.1 ◆
- ASME A112.18.3

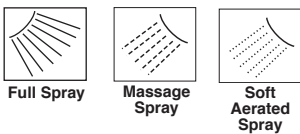
Submitted Model No.: _____

Specific Features: _____

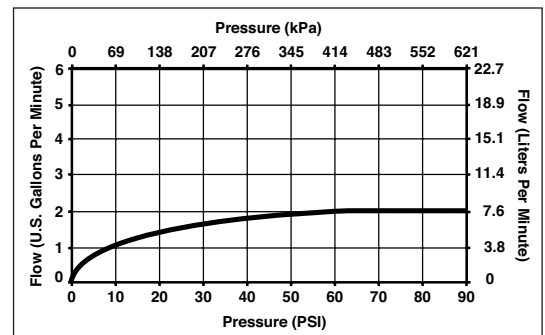


▲ Designate proper finish suffix

Spray Pattern



- ◆ Your Brizo Faucet hand shower incorporates a backflow protection system that has been tested to be in compliance with ASME A112.18.3, CSA B125.1 and ASME A112.18.1. It incorporates two certified check valves in series, which operate independently and are integral, non-serviceable parts of the wand assembly.



Delta reserves the right (1) to make changes in specifications and materials, and (2) to change or discontinue models, both without notice or obligation. Dimensions are for reference only. See current full-line price book or www.brizo.com for finish options and product availability.

Delta Faucet Company
Indianapolis, Indiana 46280
A Division of Masco Corporation of Indiana
© 2013 Masco Corporation of Indiana