

85521▲

# BRIZO® HAND SHOWER W/ SLIDE BAR

- 3 Function Handshower
- Certified Dual Check Valves
- 35" (889 mm) Slide Bar

## STANDARD SPECIFICATIONS:

- 3 function handshower: massage, full and aerated soft spray.
- Certified dual check valves.
- 35" (889 mm) wall bar with adjustable slide (allows for adjustable shower height). Not to be used as a grab bar. Not ADA compliant.
- 2.0 gpm @ 80 psi (7.6 L/min @ 552 kPa)
- 60" - 82" (1524 mm - 2083 mm) stretchable finished metal hose.
- Wall mount elbow included.

## WARRANTY

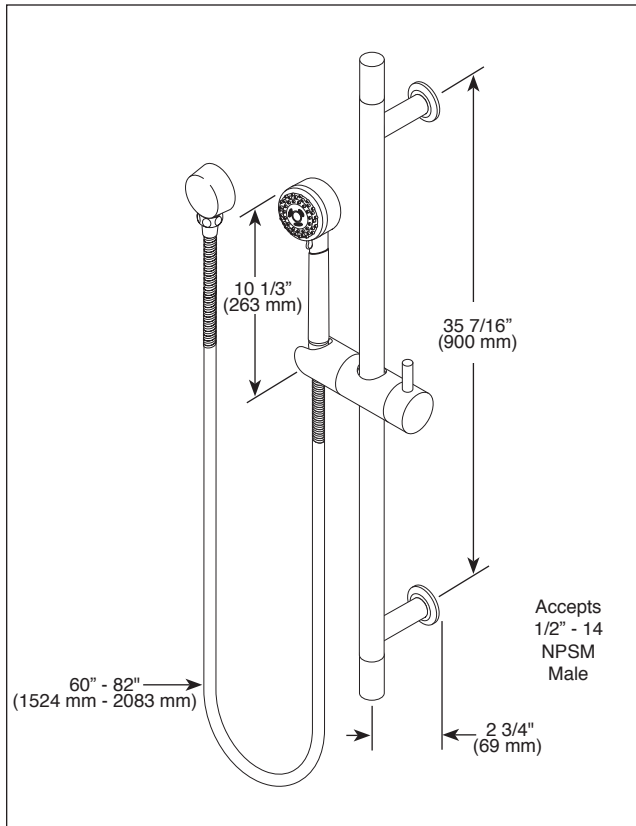
- Lifetime limited warranty on parts (other than electronic parts and batteries) and finishes: or, for commercial users, for 5 years from date of purchase.
- 5 year limited warranty on electronic parts (other than batteries); or, for commercial users, for 1 year from the date of purchase. No warranty is provided on batteries.



## COMPLIES WITH:

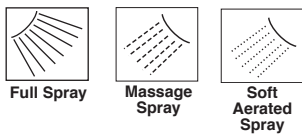
- ASME A112.18.1 / CSA B125.1
- EPA WaterSense®

Submitted Model No.: \_\_\_\_\_  
Specific Features: \_\_\_\_\_



▲ Designate proper finish suffix

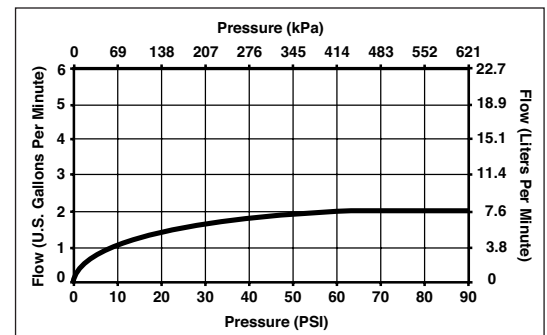
## Spray Pattern



Full Spray

Massage Spray

Soft Aerated Spray



Delta reserves the right (1) to make changes in specifications and materials, and (2) to change or discontinue models, both without notice or obligation. Dimensions are for reference only. See current full-line price book or [www.brizo.com](http://www.brizo.com) for finish options and product availability.

Delta Faucet Company  
Indianapolis, Indiana 46280  
A Division of Masco Corporation of Indiana  
© 2014 Masco Corporation of Indiana