

BRIZO™

BATH VALVES

- Providence™ Classic, Elegance and Belle Series
- Two-Handle Roman Tub Valve
- Complete Trim and Rough-In
- Ceramic Disc Valving
- Flexible Ledge Mount
- 10" – 16" Centers ❖
- Temperature and Volume Controlled with Handles

STANDARD SPECIFICATIONS:

- Roman tub valve.
- 10" – 16" centers. ❖
- Ceramic disc valving.
- Valve mechanism shall be of the rotating cylinder type with 180° rotation.
- Hot and cold stem units shall be interchangeable.
- Valve shall be equipped with replaceable non-metallic seats which are contained in stainless steel lined sockets.
- All operating parts shall be replaceable from the top.
- Conventional installation kit adjusts to 1/4" maximum deck thickness.

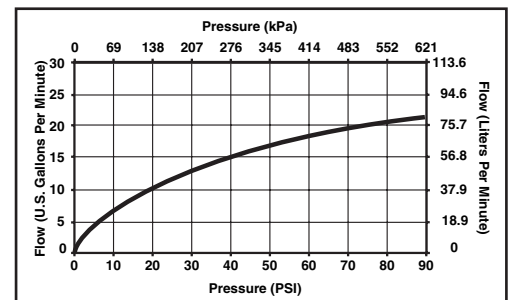
WARRANTY

- Lifetime limited warranty on parts (other than electronic parts and batteries) and finishes: or, for commercial users, for 5 years from date of purchase.
- 5 year limited warranty on electronic parts (other than batteries); or, for commercial users, for 1 year from the date of purchase. No warranty is provided on batteries.

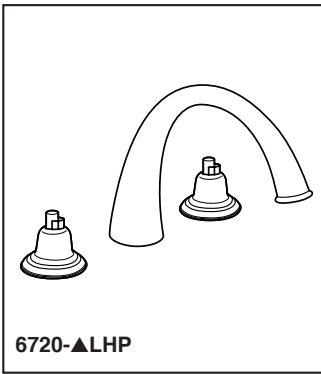


COMPLETE VALVE COMPLIES WITH:

- ASME A112.18.1 / CSA B125.1
- Indicates compliance to ICC/ANSI A17.1



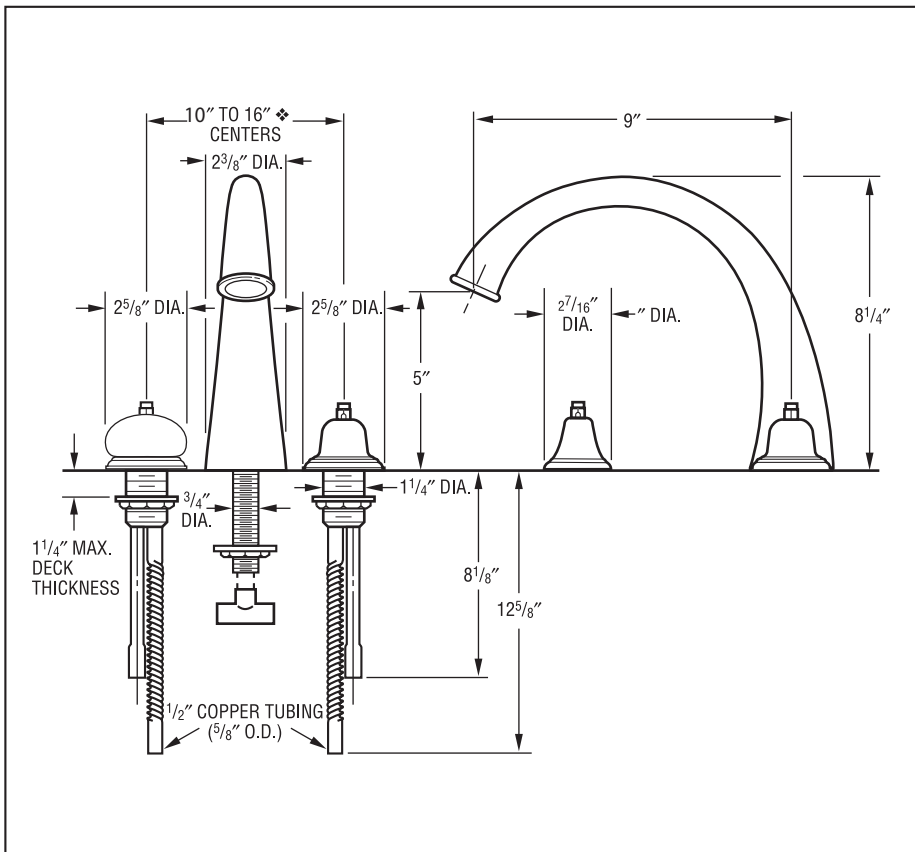
Delta Faucet Company
 Indianapolis, Indiana 46280
 A Division of Masco Corporation of Indiana
 © 2013 Masco Corporation of Indiana



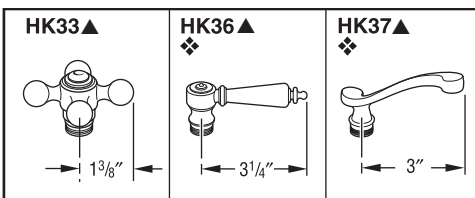
6720-▲LHP

Submitted Model No.: _____

Specific Features: _____



AVAILABLE HANDLE OPTIONS:



- ❖ For lever handles use 10"-16" centers.
- ▲ Designate proper finish suffix

Delta reserves the right (1) to make changes in specifications and materials, and (2) to change or discontinue models, both without notice or obligation. Dimensions are for reference only. See current full-line price book or www.brizo.com for finish options and product availability.