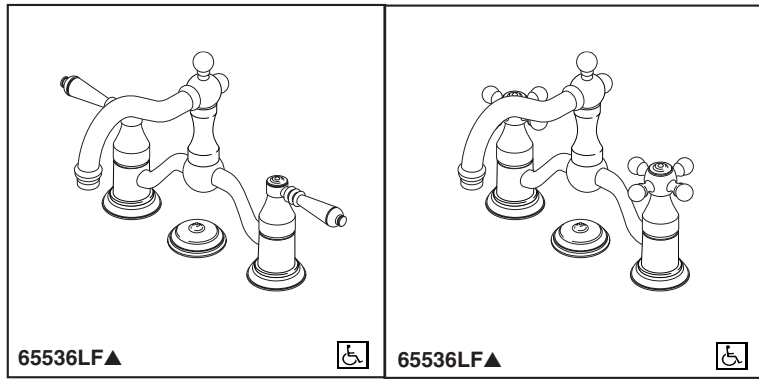


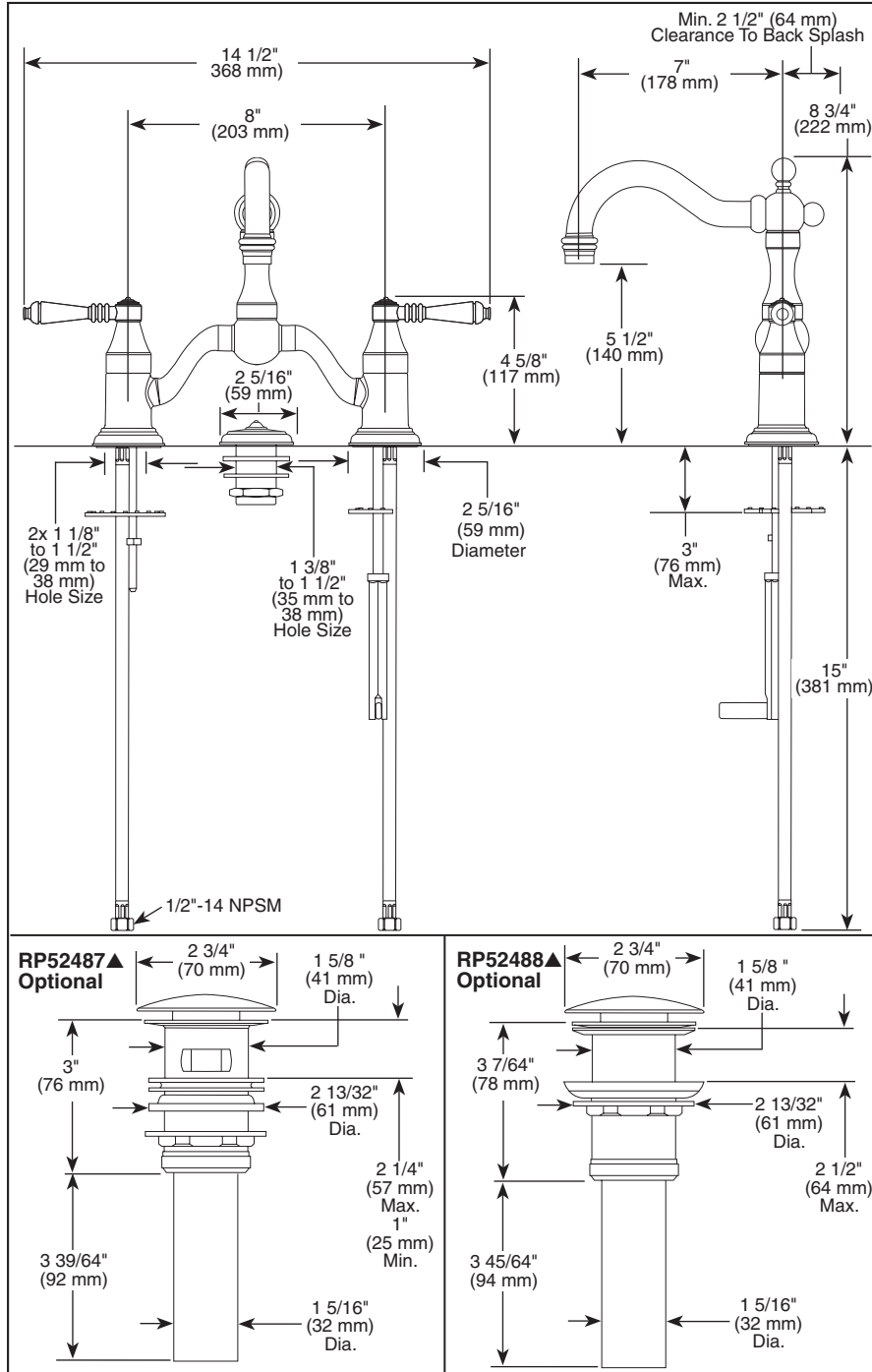
# BRIZO®

## LAVATORY FAUCETS

- Tresa® Bath Collection
- Two Handle Widespread Bridge
- Two Hole Mount
- Optional Third Hole Cover



Submitted Model No.: \_\_\_\_\_  
 Specific Features: \_\_\_\_\_



### STANDARD SPECIFICATIONS:

- Solid brass with one-piece cast brass waterway.
- 7" (178 mm) long, 8 3/4" (222 mm) high rigid spout.
- 1/4 turn handle stops.
- Hot and cold stems are interchangeable.
- Control mechanism shall be of the rotating cylinder type with 90° rotation, with replaceable non-metallic seats, operating in stainless steel lined sockets.
- 1 1/8" minimum - 1 1/2" maximum hole size.
- Models have 1/2"-14 NPSM supply hoses.
- Optional push button drain assembly (RP52487 or RP52488).
- Maximum flow rate 1.5 gpm @ 60 PSI.
- Ceramic disc valving.

### WARRANTY

- Lifetime Faucet and Finish Limited Warranty to the original consumer purchaser to be free from defects in material and workmanship.
- 5 Year Limited Warranty for usage in all industrial, commercial and business applications.

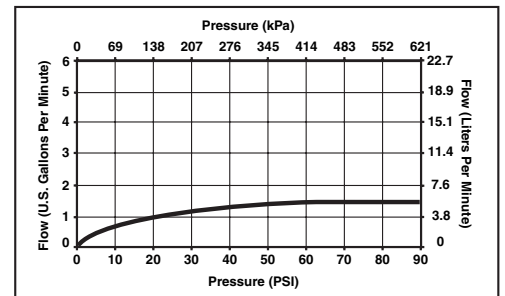


### COMPLIES WITH:

- ASME A112.18.1 / CSA B125.1
- ASME A112.18.2 / CSA B125.2



- EPA WaterSense
- Verified compliant with .25 % weighted average Pb content regulations.



### ▲ Designate Proper Finish Suffix

Delta reserves the right (1) to make changes in specifications and materials, and (2) to change or discontinue models, both without notice or obligation. Dimensions are for reference only. See current full-line price book or [www.brizo.com](http://www.brizo.com) for finish options and product availability.

BSP-L-65536LF Rev. A

### Delta Faucet Company

55 E. 111th Street, Indianapolis, Indiana 46280  
 395 Matheson Blvd. E., Mississauga, ON L4Z 2H2  
 © 2009 Masco Corporation of Indiana