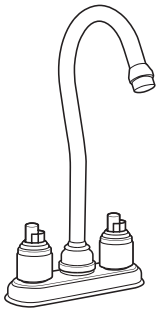
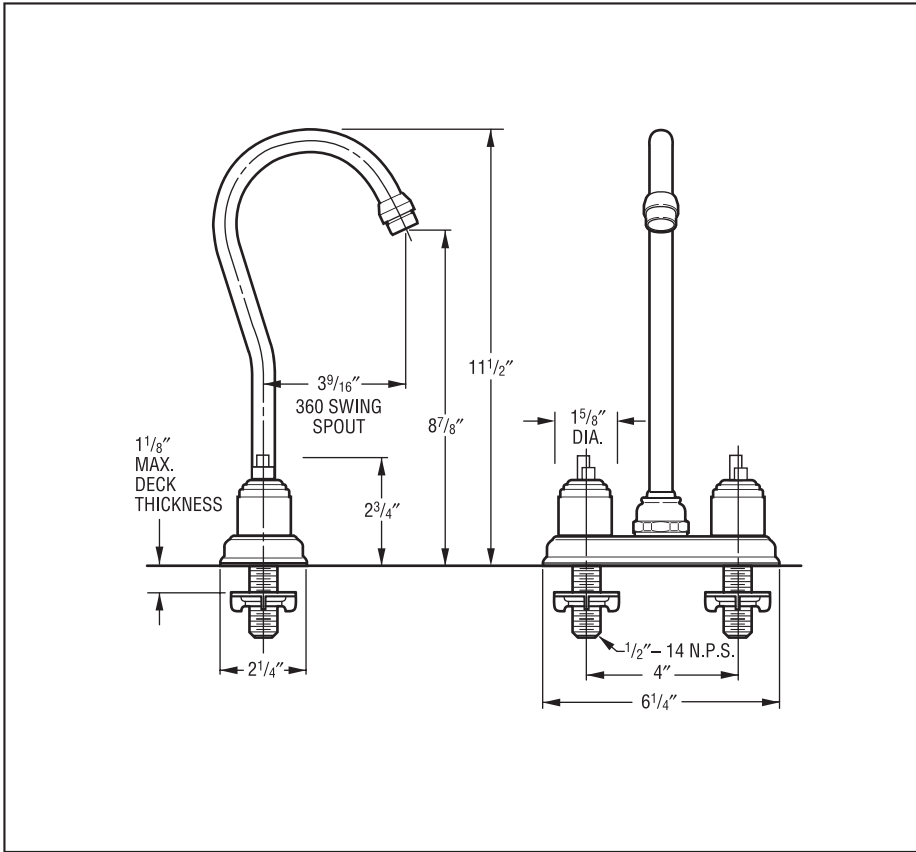


Model 6415-LHP Shown



Submitted Model No.: \_\_\_\_\_

Specific Features: \_\_\_\_\_



# BRIZO™

## BAR & PREP SINK FAUCETS

- Traditional
- Two-Handle
- Ceramic Disc Valving
- Deck Mount
- 4" Centerset
- 2 & 3 Hole Applications



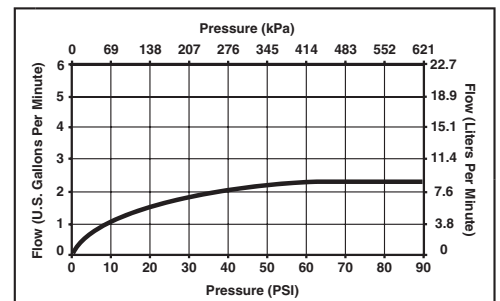
Lever & Cross Handles Only

**COMPLIES WITH:**

- ANSI/ASME A112.18.1
- CSA B125
- IAPMO Listed
- CSA Certified
- ICC/ANSI A117.1/ADA
- NSF 61

**STANDARD SPECIFICATIONS:**

- Two-handle deck faucets for exposed mounting on 2 hole sinks.
- Ceramic disc valving.
- Gooseneck spout swings 360°.
- 4" centerset.
- Hot and cold stems are interchangeable.
- Control mechanism shall be of the rotating cylinder type with 90° rotation, with replaceable non-metallic seats operating in stainless steel lined sockets.
- ¼ turn stop may be removed for 180° rotation.



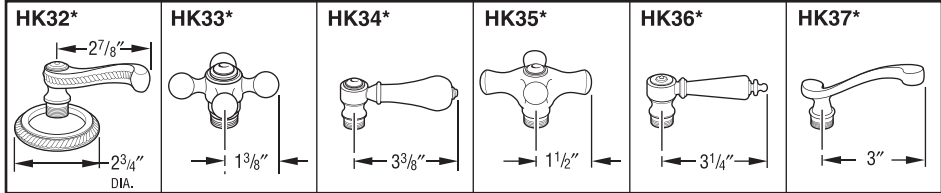
<b>Standard Features</b>	<b>6415*-LHP</b>
Washerless	◆
Ceramic Disc Valving	◆
1/2" I.P.S. Threaded Male Inlet Shanks	◆
1/2 Turn Stop	◆
Brass Stem	◆
Traditional	◆

\*To specify finish add suffix

**Available Finishes**

Suffix	Finish
BB	Brilliance® Brass
PC	Polished Chrome
PN	Brilliance® Polished Nickel
SN	Satin Nickel
RB	Venetian Bronze™

**AVAILABLE HANDLE OPTIONS:**



\*To specify finish, add suffix.