

T60P030▲

BRIZO®

PRESSURE BALANCE SHOWER TRIM

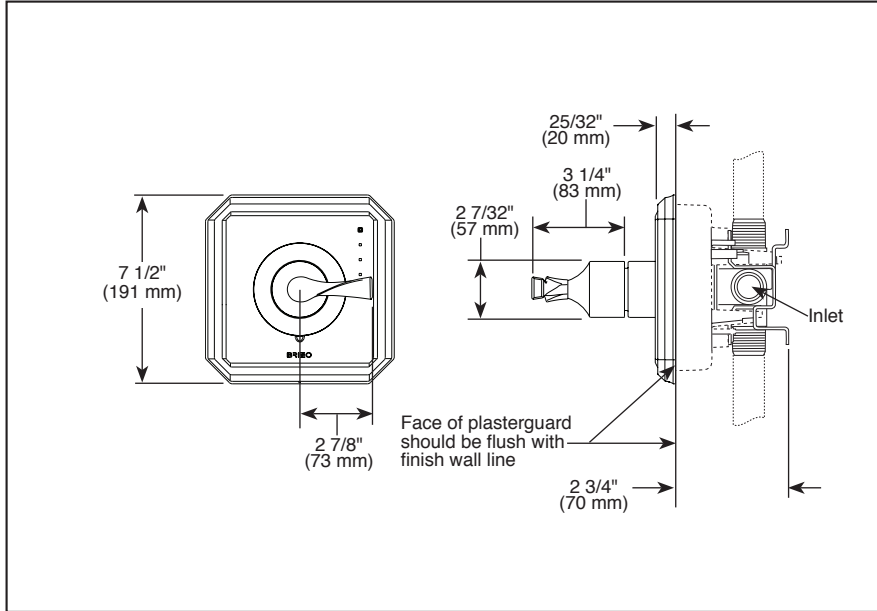
- Virage® Bath Collection
- Valve Only (T60P030)

STANDARD SPECIFICATIONS:

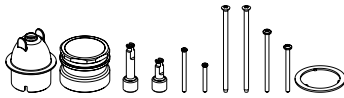
- Maintains a balanced pressure of hot and cold water even when a valve is turned on or off elsewhere in the system
- For use with MultiChoice® Universal rough valve body (R60000 Series)
- Back-to-back installation capability
- Solid brass fabricated body
- Temperature only controlled with handle
- Red/blue indicator markings
- Field adjustable to limit handle rotation into hot water zone
- 120° maximum handle rotation
- All parts replaceable from the front of the valve
- Extension kit (RP81665) extends rough installation for up to 1 3/4" (optional, not included)

Submitted Model No.: _____

Specific Features: _____



RP81665 Available Extension Kit



▲ Designate proper finish suffix

WARRANTY

- Lifetime limited warranty on parts (other than electronic parts and batteries) and finishes; or, for commercial users, for 5 years from date of purchase.
- 5 year limited warranty on electronic parts (other than batteries); or, for commercial users, for 1 year from the date of purchase. No warranty is provided on batteries.

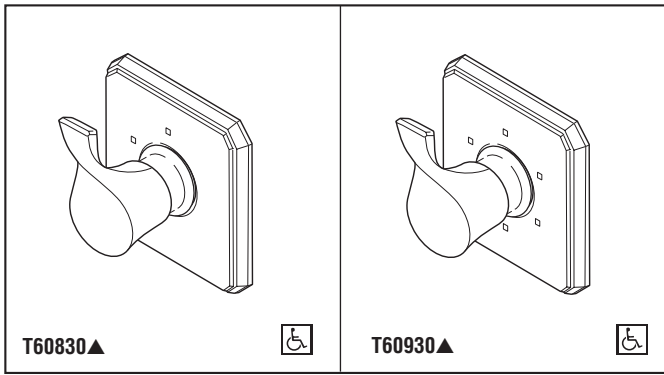
COMPLIES WITH:

- ASME A112.18.1 / CSA B125.1
 - ASSE 1016
-  Indicates compliance to ICC/ANSI A117.1 - Valve control only

BRIZO®

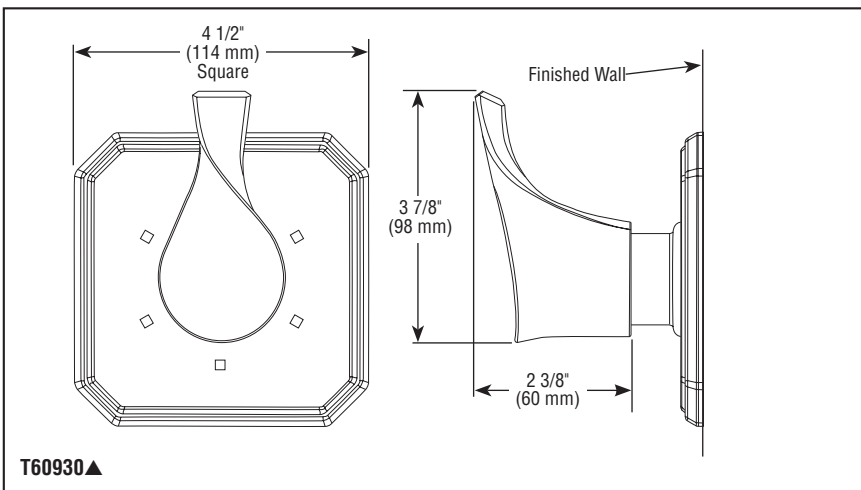
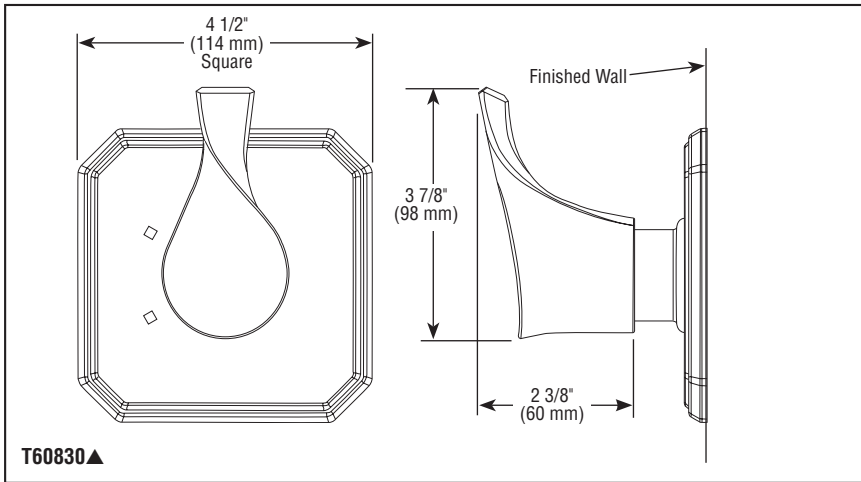
CUSTOM SHOWER DIVERTER

- Virage™ Collection
- Three Function Diverter Trim (T60830)
- Six Function Diverter Trim (T60930)



Submitted Model No.: _____

Specific Features: _____



STANDARD SPECIFICATIONS

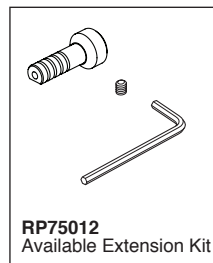
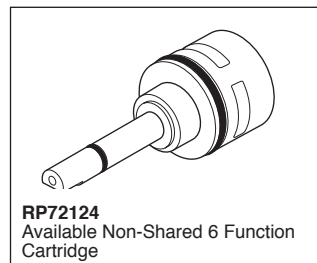
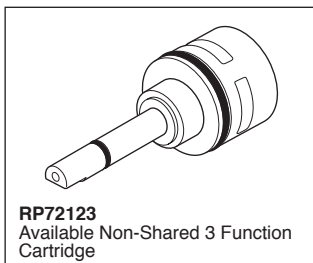
- Three function diverter. 2 individual positions, 1 shared position
- Six function diverter. 3 individual positions, 3 shared positions
- Requires rough-in R60700 to complete installation
- Non shared 3 function cartridge (RP72123) and 6 function cartridge (RP72124) are available
- Rough extension kit (RP75012) available

WARRANTY

- Lifetime limited warranty on parts (other than electronic parts and batteries) and finishes: or, for commercial users, for 5 years from date of purchase.
- 5 year limited warranty on electronic parts (other than batteries); or, for commercial users, for 1 year from the date of purchase. No warranty is provided on batteries.

COMPLIES WITH:

- ASME A112.18.1 / CSA B125.1
-  Indicates compliance to
 CC/ANSI A117.1



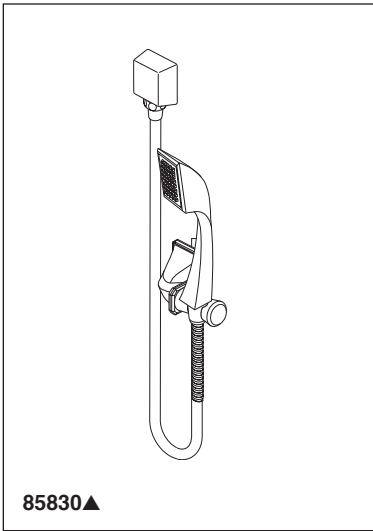
▲ Designate proper finish suffix

Brizo Kitchen & Bath Company reserves the right (1) to make changes in specifications and materials, and (2) to change or discontinue models, both without notice or obligation. Dimensions are for reference only. See current full-line price book or www.brizo.com for finish options and product availability.

BSP-B-T60830 Rev. F

Brizo Kitchen & Bath Company

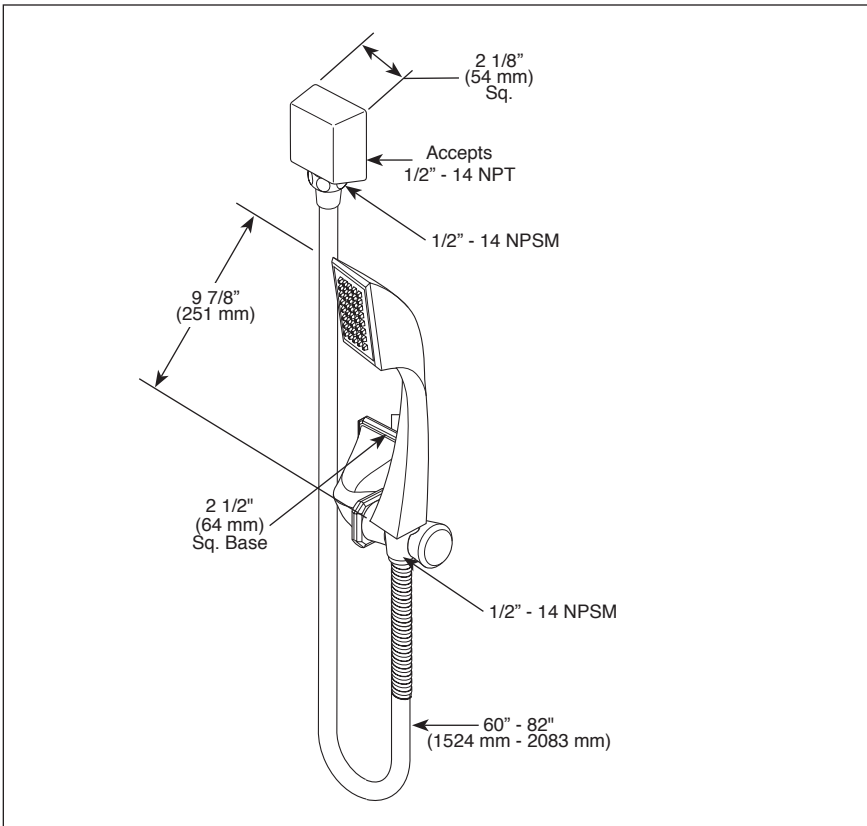
55 E. 111th Street, Indianapolis, Indiana 46280
 350 South Edgevare Road, St. Thomas, ON N5P 4L1
 © 2018 Brizo Kitchen & Bath Company



85830▲

Submitted Model No.: _____

Specific Features: _____



▲ Designate proper finish suffix

Spray Pattern



Full Spray

BRIZO® ON-WALL HAND SHOWER

- Virage® Bath Collection
- Hand Shower with Full Spray Pattern and Touch Clean Nubs
- Wall Mounted Elbow Included

STANDARD SPECIFICATIONS:

- Maximum 1.75 gpm @ 80 psi, 6.6 L/min @ 550 kPa
- Certified dual check valves
- 60" - 82" (1524 mm - 2083 mm) stretchable finished metal hose

WARRANTY

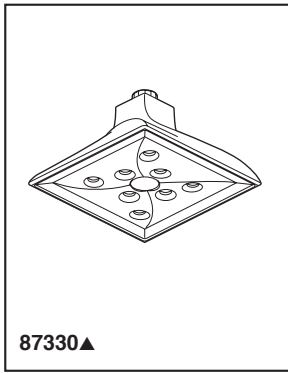
- Lifetime limited warranty on parts (other than electronic parts and batteries) and finishes: or, for commercial users, for 5 years from date of purchase.
- 5 year limited warranty on electronic parts (other than batteries); or, for commercial users, for 1 year from the date of purchase. No warranty is provided on batteries.



COMPLIES WITH:

- ASME A112.18.1 / CSA B125.1
- EPA WaterSense® - applies to handshower only (RP62451)

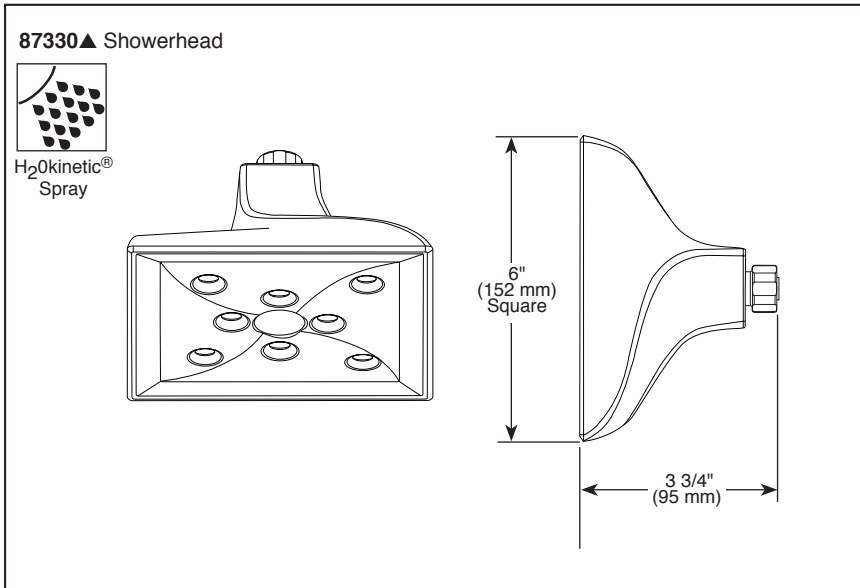
Brizo Kitchen & Bath Company reserves the right (1) to make changes in specifications and materials, and (2) to change or discontinue models, both without notice or obligation. Dimensions are for reference only. See current full-line price book or www.brizo.com for finish options and product availability.



87330▲

Submitted Model No.: _____

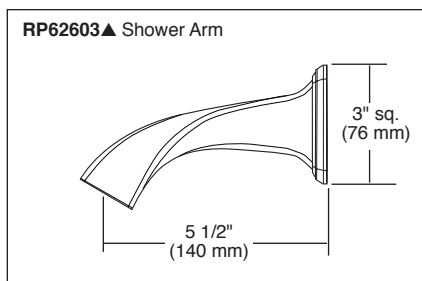
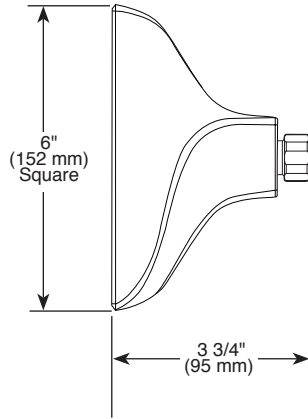
Specific Features: _____



87330▲ Showerhead



H₂Okinetic®
Spray



RP62603▲ Shower Arm

▲ Designate proper finish suffix

BRIZO®

SHOWERHEAD

■ Virage® Bath Collection

FEATURES:

- H₂O Kinetic Technology® single function showerhead

STANDARD SPECIFICATIONS:

- Max flow rate 1.75 gpm @ 80 psi, 6.6 L/min @ 550 kPa
- Finished sprayface matches shell finish
- Showerhead has 1/2"-14 NPSM female connection
- Optional solid brass showerarm (RP62603▲)
- Wrench flats for tightening
- Showerhead ball nut pivots and rotates

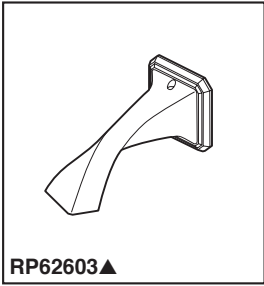
WARRANTY

- Parts and Finish - Lifetime limited warranty; or for commercial purchasers, 10 years for multi-family residential (apartments and condominiums) and 5 years for all other commercial uses, in each case from the date of purchase.
- Electronic Parts and Batteries (if applicable) - 5 years from the date of purchase; or for commercial purchasers, 1 year from the date of purchase. No warranty is provided on batteries.



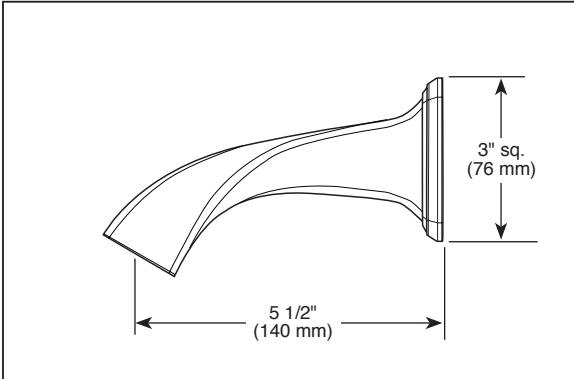
COMPLIES WITH:

- ASME A112.18.1 / CSA B125.1
- EPA WaterSense®



Submitted Model No.: _____

Specific Features: _____



▲ Designate proper finish suffix

BRIZO®

SHOWER ARM

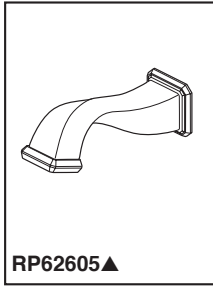
■ Virage® Bath Collection

STANDARD SPECIFICATIONS:

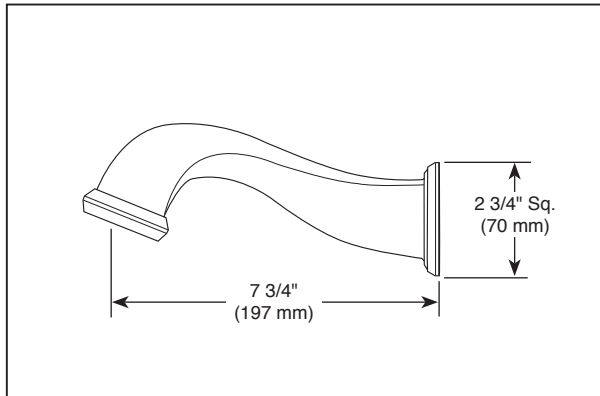
- Solid brass construction
- 1/2" NPT threads
- For use with 87330 shower head only

WARRANTY

- Lifetime limited warranty on parts (other than electronic parts and batteries) and finishes: or, for commercial users, for 5 years from date of purchase.
- 5 year limited warranty on electronic parts (other than batteries); or, for commercial users, for 1 year from the date of purchase. No warranty is provided on batteries.



Submitted Model No.: _____
Specific Features: _____



▲ Designate proper finish suffix

BRIZO®

DIVERTER TUB SPOUT

■ Virage® Bath Collection

STANDARD SPECIFICATIONS:

- Pull-down diverter tub spout
- Solid brass construction
- Spout features hidden stream straightener
- Thread onto 1/2" NPT using included adapter (RP49349)

WARRANTY

- Lifetime limited warranty on parts (other than electronic parts and batteries) and finishes: or, for commercial users, for 5 years from date of purchase.
- 5 year limited warranty on electronic parts (other than batteries); or, for commercial users, for 1 year from the date of purchase. No warranty is provided on batteries.

COMPLIES WITH:

- ASME A112.18.1 / CSA B125.1