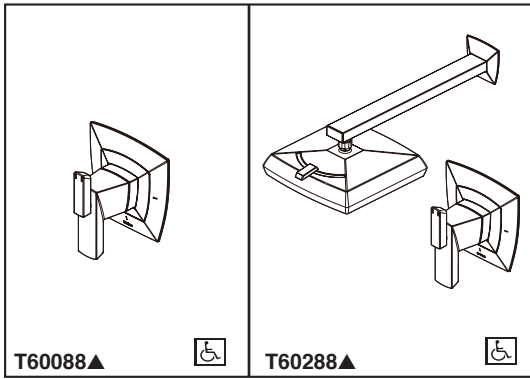


# BRIZO®

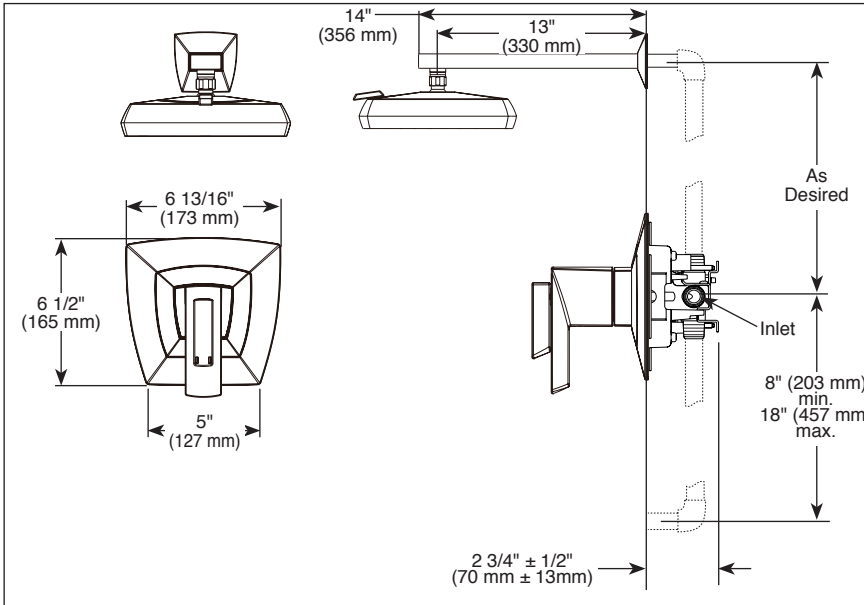
## SHOWER FAUCET TRIM

- Vettis® Collection
- Valve Only (T60088)
- Shower Only (T60288)



Submitted Model No.: \_\_\_\_\_

Specific Features: \_\_\_\_\_



### FEATURES:

- TempAssure® thermostatic valve cartridge
- H<sub>2</sub>Okinetic® Multi-function showerhead

### STANDARD SPECIFICATIONS:

- Max flow rate 1.75 gpm @ 80 psi, 6.6 L/min @ 550 kPa
- Max system flow rate 9.4 gpm @ 60 psi with R60000-UNBXHF
- Thermostatic wax element maintains the outlet temperature to +3.6 F
- Must also order MultiChoice® Universal rough valve body (R60000 Series)
- Back-to-back installation capability
- Lever volume control handle; temperature adjustment lever
- Red/Blue temperature indication on handle
- Field adjustable to limit handle rotation into hot water zone
- All parts replaceable from the front of the valve
- Adjusts for up to 1" wall thickness. Optional extension kit (RP91022▲) extends rough installation up to 1 3/4"
- Solid brass showerarm

### WARRANTY

- Parts and Finish - Lifetime limited warranty; or for commercial purchasers, 10 years for multi-family residential (apartments and condominiums) and 5 years for all other commercial uses, in each case from the date of purchase.
- Electronic Parts and Batteries (if applicable) - 5 years from the date of purchase; or for commercial purchasers, 1 year from the date of purchase. No warranty is provided on batteries.

**87488▲ 1.75 GPM Showerhead**

H2Okinetic®  
Spray

Full Body  
Spray

Massaging  
Spray

Pause

**RP90567▲ (Non-Diverter)**  
\* Sold separately

**RP90568▲ (Pull-Up Diverter)**  
\* Sold separately

**RP91022▲ Available Extension Kit**  
\* Sold separately



### COMPLIES WITH:

- ASME A112.18.1 / CSA B125.1
- Indicates compliance to ICC/ANSI A117.1 - Valve control only
- EPA WaterSense® - applies to showerhead only (87488)

▲ Designate proper finish suffix

Brizo reserves the right (1) to make changes in specifications and materials, and (2) to change or discontinue models, both without notice or obligation. Dimensions are for reference only. See current full-line price book or [www.brizo.com](http://www.brizo.com) for finish options and product availability.

BSP-B-T60088 Rev. D

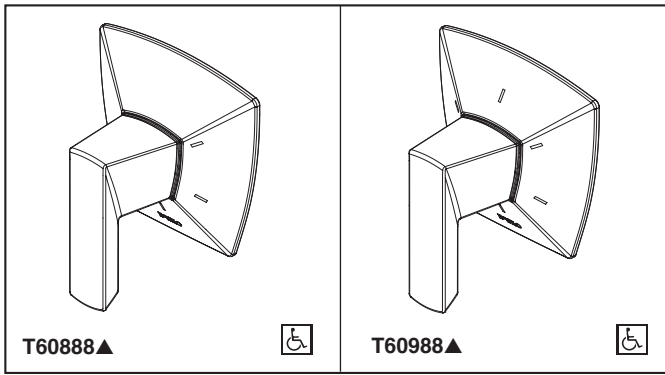
**Brizo Kitchen & Bath Company**

55 E. 111th Street, Indianapolis, Indiana 46280  
350 South Edgeware Road, St. Thomas, ON N5P 4L1  
© 2019 Brizo Kitchen & Bath Company

# BRIZO®

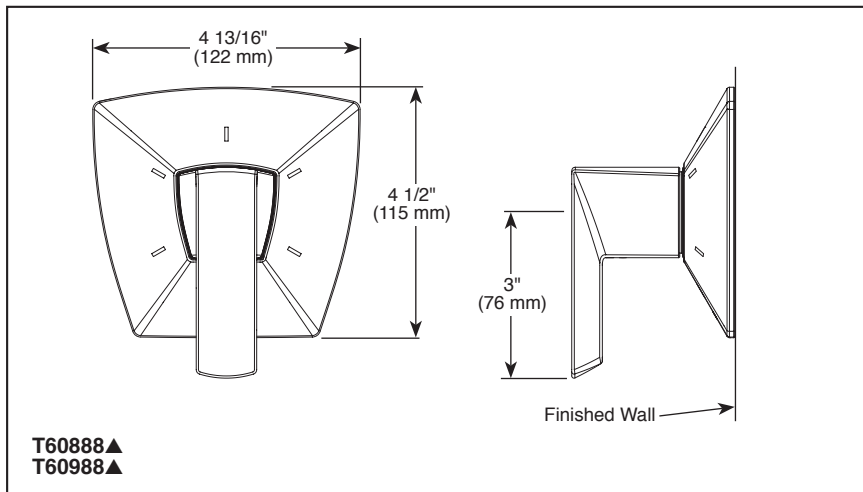
## 3 & 6-FUNCTION SHOWER DIVERTER

- Vettis™ Collection
- Three Function Diverter Trim (T60888)
- Six Function Diverter Trim (T60988)



Submitted Model No.: \_\_\_\_\_

Specific Features: \_\_\_\_\_



### STANDARD SPECIFICATIONS

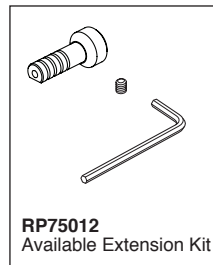
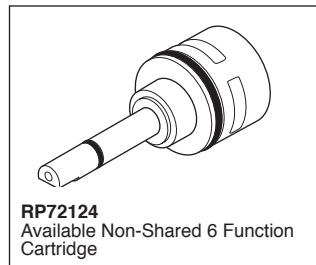
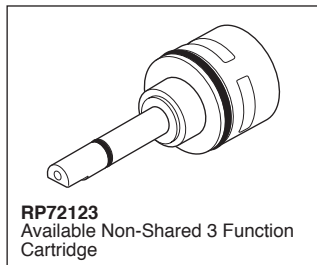
- Three function diverter. 2 individual positions, 1 shared position
- Six function diverter. 3 individual positions, 3 shared positions
- Requires rough-in R60700 to complete installation
- Non shared 3 function cartridge (RP72123) and 6 function cartridge (RP72124) are available
- Rough extension kit (RP75012) available

### WARRANTY

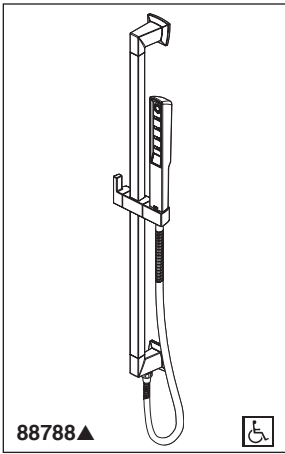
- Lifetime limited warranty on parts (other than electronic parts and batteries) and finishes: or, for commercial users, for 5 years from date of purchase.
- 5 year limited warranty on electronic parts (other than batteries); or, for commercial users, for 1 year from the date of purchase. No warranty is provided on batteries.

### COMPLIES WITH:

- ASME A112.18.1 / CSA B125.1
- Indicates compliance to ICC/ANSI A117.1



▲ Designate proper finish suffix

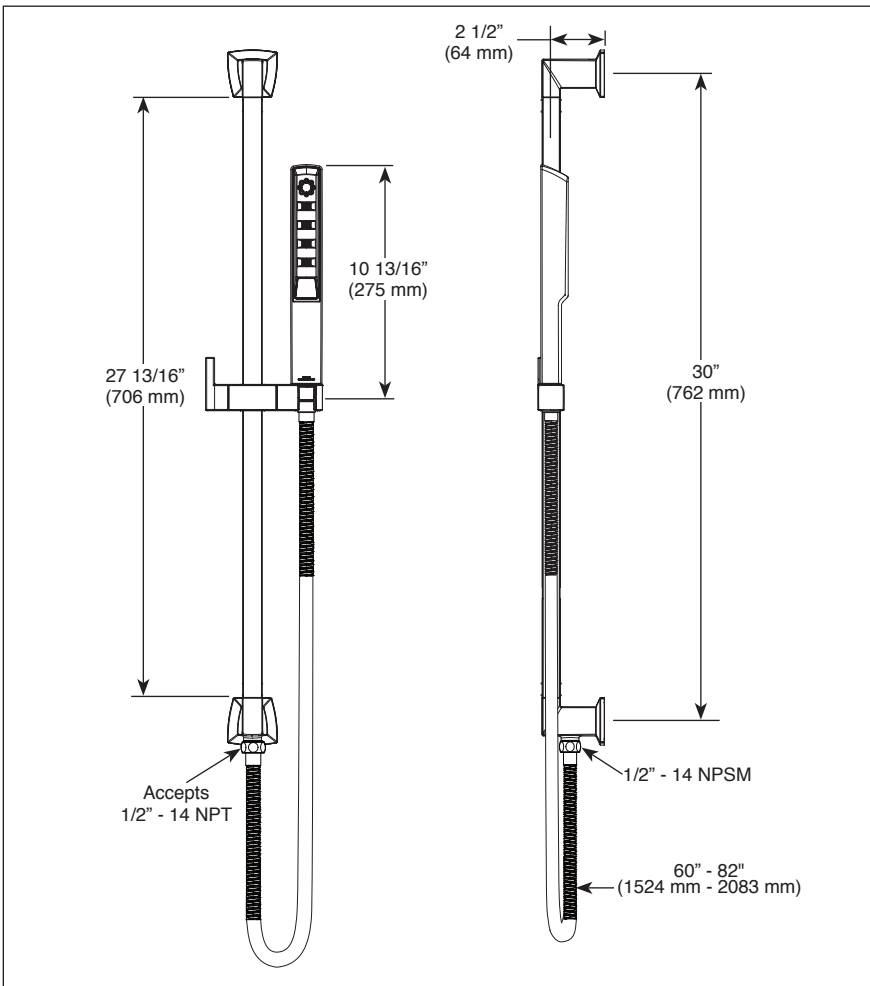


88788▲



Submitted Model No.:

Specific Features:



▲ Designate proper finish suffix

**Spray Pattern**



H<sub>2</sub>Okinetic  
Technology®



Massaging  
Spray



Pause

- ◆ Your Brizo Faucet hand shower incorporates a backflow protection system that has been tested to be in compliance with ASME A112.18.3. It incorporates two certified check valves in series, which operate independently and are integral, non-serviceable parts of the wand assembly.

Brizo Kitchen & Bath Company reserves the right (1) to make changes in specifications and materials, and (2) to change or discontinue models, both without notice or obligation. Dimensions are for reference only. See current full-line price book or [www.brizo.com](http://www.brizo.com) for finish options and product availability.

BSP-B-88788 Rev. D

# BRIZO®

## HAND SHOWER W/ SLIDE BAR

■ Vettis™ Collection

**FEATURES:**

- Multi function hand shower featuring H<sub>2</sub>Okinetic Technology®

**STANDARD SPECIFICATIONS:**

- Maximum 1.75 gpm @ 80 psi, 6.6 L/min @ 550 kPa
- Wall bar with adjustable slide (allows for adjustable shower height). Not to be used as a grab bar.
- 60" - 82" (1524 mm - 2083 mm) stretchable finished metal hose
- Wall bar includes integrated elbow for hose connection
- Slide bar can be installed with hose connection on top if desired
- Hand shower holder can be mounted to either side of slide bar
- Multiple spray settings and pause feature - pause is a non-positive shut-off

**WARRANTY**

- Parts and Finish - Lifetime limited warranty; or for commercial purchasers, 10 years for multi-family residential (apartments and condominiums) and 5 years for all other commercial uses, in each case from the date of purchase.
- Electronic Parts and Batteries (if applicable) - 5 years from the date of purchase; or for commercial purchasers, 1 year from the date of purchase. No warranty is provided on batteries.



**COMPLIES WITH:**

- ASME A112.18.1 / CSA B125.1 ◆
- ◆ Indicates compliance to
- ☐ ICC/ANSI A117.1 - Applies to hand shower only
- EPA WaterSense®

**Brizo Kitchen & Bath Company**

55 E. 111th Street, Indianapolis, Indiana 46280  
350 South Edgeware Road, St. Thomas, ON N5P 4L1  
© 2018 Brizo Kitchen & Bath Company