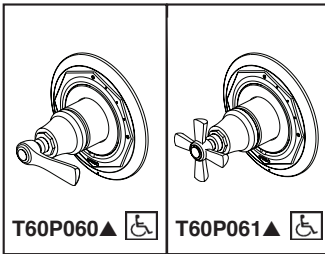


BRIZO®

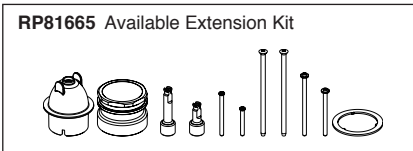
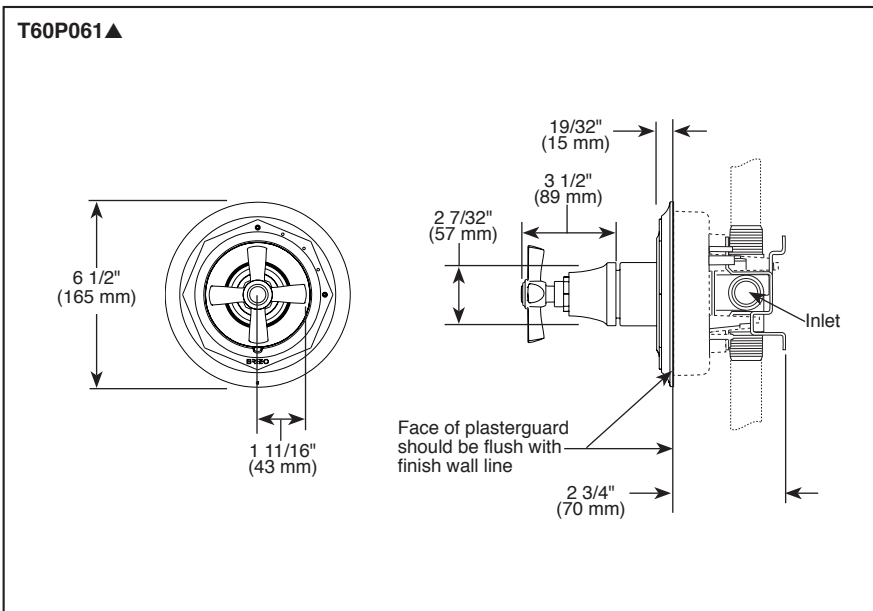
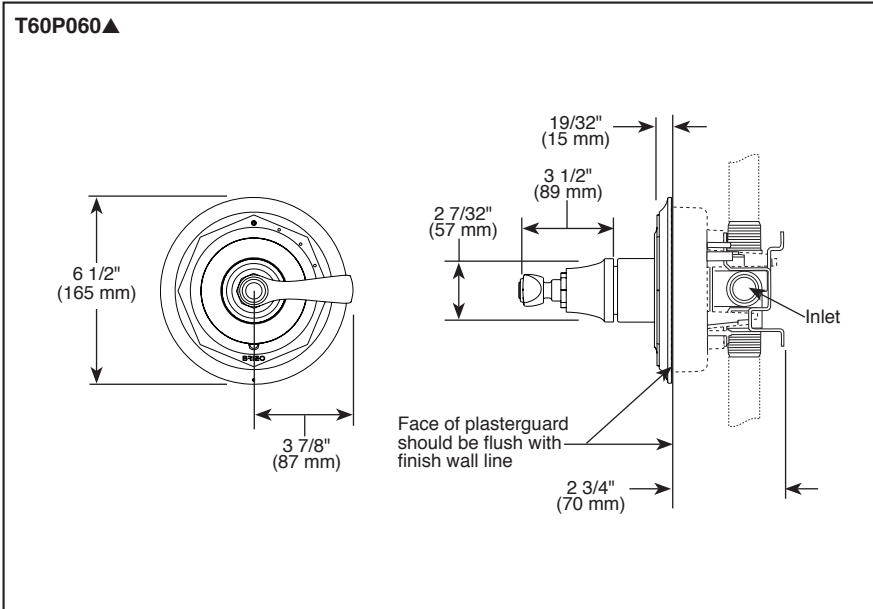
PRESSURE BALANCE SHOWER TRIM

- Rook™ Bath Collection
- Valve Only (T60P060/T60P061)



Submitted Model No.: _____

Specific Features: _____



▲ Designate proper finish suffix

STANDARD SPECIFICATIONS:

- Maintains a balanced pressure of hot and cold water even when a valve is turned on or off elsewhere in the system
- For use with MultiChoice® Universal rough valve body (R60000 Series)
- Back-to-back installation capability
- Solid brass fabricated body
- Temperature only controlled with handle
- Red/blue indicator markings
- Field adjustable to limit handle rotation into hot water zone
- 120° maximum handle rotation
- All parts replaceable from the front of the valve
- Extension kit (RP81665) extends rough installation for up to 1 3/4" (optional, not included)

WARRANTY

- Parts and Finish - Lifetime limited warranty; or for commercial purchasers, 10 years for multi-family residential (apartments and condominiums) and 5 years for all other commercial uses, in each case from the date of purchase.
- Electronic Parts and Batteries (if applicable) - 5 years from the date of purchase; or for commercial purchasers, 1 year from the date of purchase. No warranty is provided on batteries.

COMPLIES WITH:

- ASME A112.18.1 / CSA B125.1
- ASSE 1016

Indicates compliance to ICC/ANSI A117.1

Brizo Kitchen & Bath Company

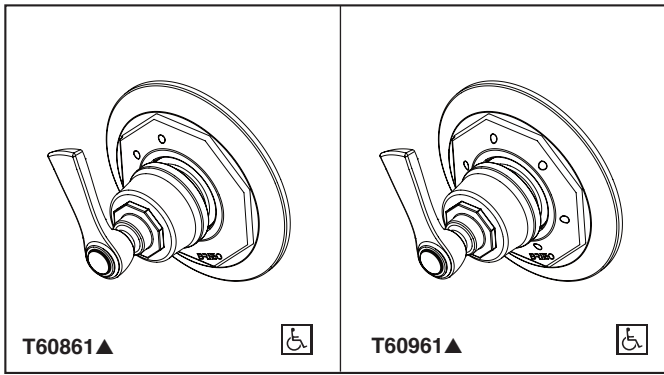
55 E. 111th Street, Indianapolis, Indiana 46280
350 South Edgeware Road, St. Thomas, ON N5P 4L1
© 2019 Brizo Kitchen & Bath Company

Brizo Kitchen & Bath Company reserves the right (1) to make changes in specifications and materials, and (2) to change or discontinue models, both without notice or obligation. Dimensions are for reference only. See current full-line price book or www.brizo.com for finish options and product availability.

BRIZO®

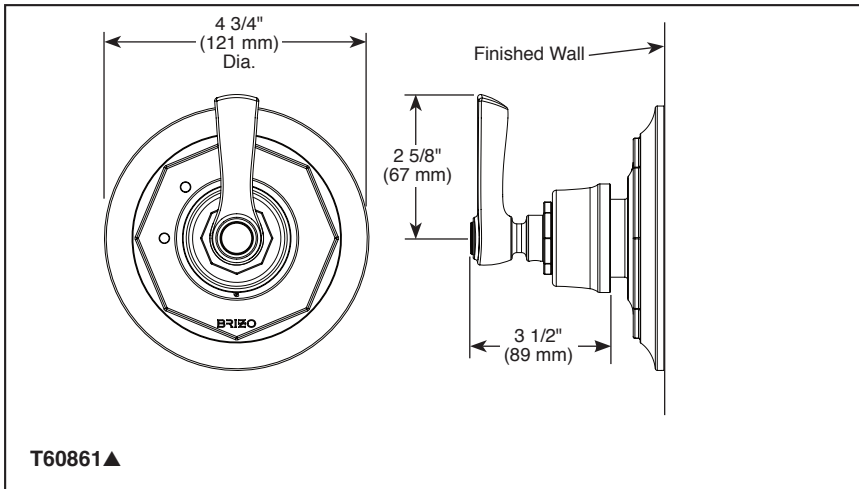
3 & 6-FUNCTION SHOWER DIVERTER

- Rook™ Collection
- Three Function Diverter Trim (T60861)
- Six Function Diverter Trim (T60961)

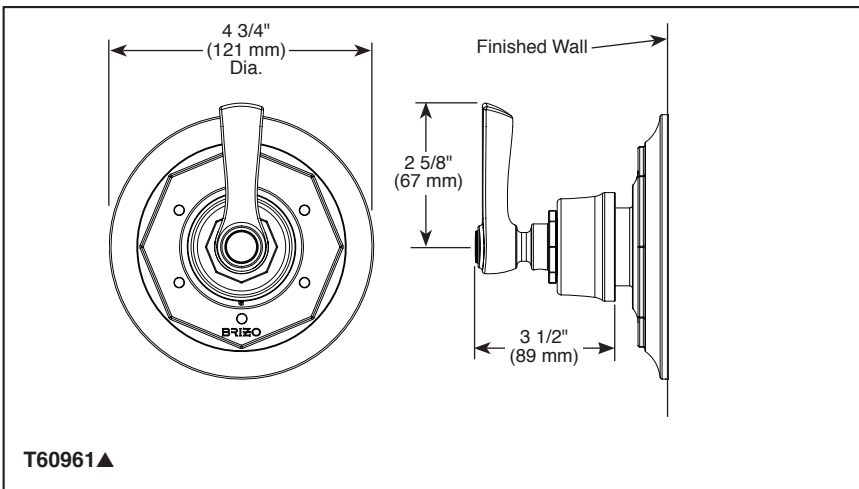


Submitted Model No.: _____

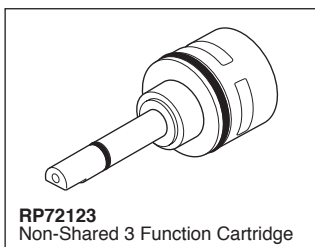
Specific Features: _____



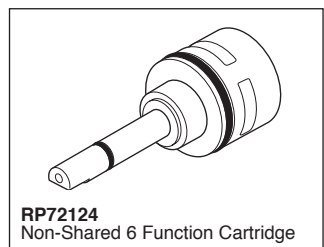
T60861▲



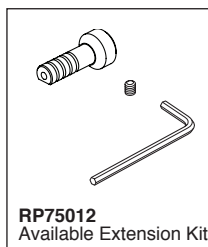
T60961▲



RP72123
Non-Shared 3 Function Cartridge



RP72124
Non-Shared 6 Function Cartridge



RP75012
Available Extension Kit

▲ Designate proper finish suffix

STANDARD SPECIFICATIONS

- Three function diverter. 2 individual positions, 1 shared position
- Six function diverter. 3 individual positions, 3 shared positions
- Requires rough-in R60700 to complete installation
- Non shared 3 function cartridge (RP72123) and 6 function cartridge (RP72124) are available
- Rough extension kit (RP75012) available

WARRANTY

- Lifetime limited warranty on parts (other than electronic parts and batteries) and finishes: or, for commercial users, for 5 years from date of purchase.
- 5 year limited warranty on electronic parts (other than batteries); or, for commercial users, for 1 year from the date of purchase. No warranty is provided on batteries.

COMPLIES WITH:

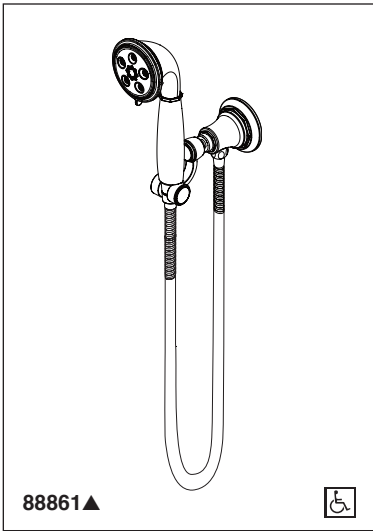
- ASME A112.18.1 / CSA B125.1
- Indicates compliance to ICC/ANSI A117.1

Brizo Kitchen & Bath Company reserves the right (1) to make changes in specifications and materials, and (2) to change or discontinue models, both without notice or obligation. Dimensions are for reference only. See current full-line price book or www.brizo.com for finish options and product availability.

BSP-B-T60861 Rev. B

Brizo Kitchen & Bath Company

55 E. 111th Street, Indianapolis, Indiana 46280
350 South Edgeware Road, St. Thomas, ON N5P 4L1
© 2018 Brizo Kitchen & Bath Company

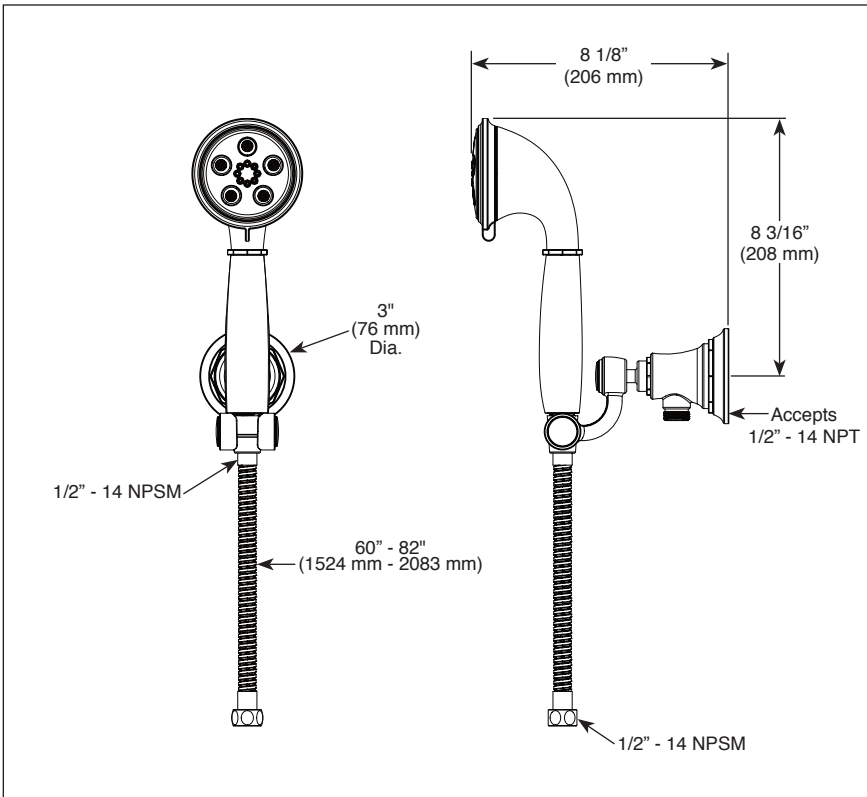


88861▲



Submitted Model No.: _____

Specific Features: _____



▲ Designate proper finish suffix

Spray Pattern



H₂Okinetic Technology®



Massaging Spray



Pause

◆ Your Brizo Faucet hand shower incorporates a backflow protection system that has been tested to be in compliance with ASME A112.18.3. It incorporates two certified check valves in series, which operate independently and are integral, non-serviceable parts of the wand assembly.

Brizo Kitchen & Bath Company reserves the right (1) to make changes in specifications and materials, and (2) to change or discontinue models, both without notice or obligation. Dimensions are for reference only. See current full-line price book or www.brizo.com for finish options and product availability.

BSP-B-88861 Rev. C

BRIZO® ON-WALL HAND SHOWER

■ Rook® Collection

FEATURES:

- Multi function hand shower featuring H₂Okinetic Technology®

STANDARD SPECIFICATIONS:

- Maximum 1.75 gpm @ 80 psi, 6.6 L/min @ 550 kPa
- Wall mount bracket includes integrated elbow for hose connection
- Wall mount bracket is adjustable
- Multiple spray settings and pause feature - pause is a non-positive shut-off

WARRANTY

- Parts and Finish - Lifetime limited warranty; or for commercial purchasers, 10 years for multi-family residential (apartments and condominiums) and 5 years for all other commercial uses, in each case from the date of purchase.
- Electronic Parts and Batteries (if applicable) - 5 years from the date of purchase; or for commercial purchasers, 1 year from the date of purchase. No warranty is provided on batteries.



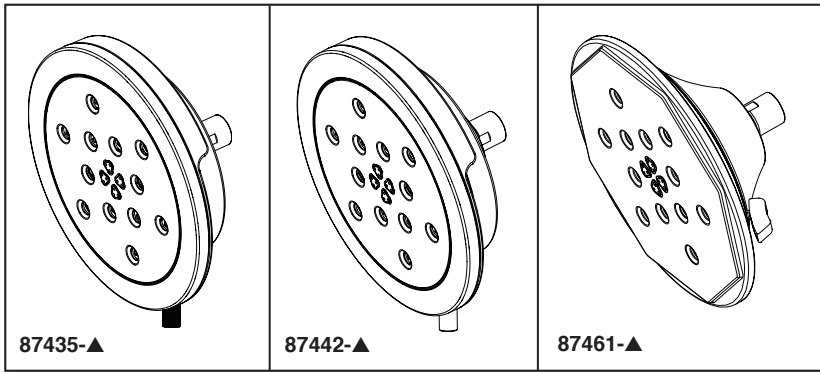
COMPLIES WITH:

- ASME A112.18.1 / CSA B125.1 ◆
- Indicates compliance to ICC/ANSI A117.1
- EPA WaterSense®

Brizo Kitchen & Bath Company
55 E. 111th Street, Indianapolis, Indiana 46280
350 South Edgeware Road, St. Thomas, ON N5P 4L1
© 2018 Brizo Kitchen & Bath Company

BRIZO®

MULTI-FUNCTION SHOWER HEAD



Submitted Model No.: _____

Specific Features: _____

87435-▲ Litze™ Collection

87442-▲ Atavis™ Collection

87461-▲ Rook™ Collection

▲ Designate finish suffix

FEATURES:

- 4-function shower head featuring H₂Okinetic® Technology

STANDARD SPECIFICATIONS:

- Shower head has 1/2"-14 NPSM female connection
- Maximum 1.75 gpm @ 80 psi, 6.6 L/min @ 550 kPa
- Wrench flats for tightening
- Shower head ball nut pivots, rotates and provides extra thread coverage
- Lever function control

WARRANTY

- Lifetime limited warranty on parts (other than electronic parts and batteries) and finishes: or, for commercial users, for 5 years from date of purchase.
- 5 year limited warranty on electronic parts (other than batteries); or, for commercial users, for 1 year from the date of purchase. No warranty is provided on batteries.



COMPLIES WITH:

- ASME A112.18.1 / CSA B125.1
- EPA WaterSense®

Spray Patterns



H₂Okinetic
Technology®
Full Body



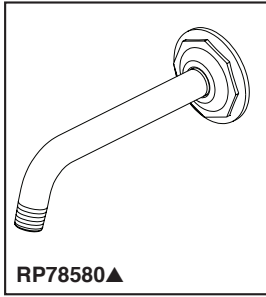
H₂Okinetic
Technology®
Invigorating



Massaging
Spray

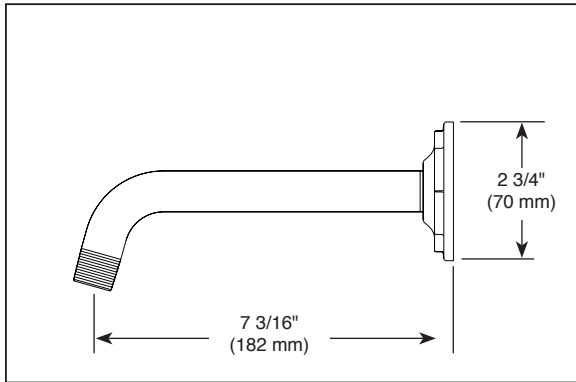


Pause



Submitted Model No.: _____

Specific Features: _____



▲ Designate proper finish suffix

BRIZO®

SHOWER ARM AND FLANGE

■ Rook® Collection

STANDARD SPECIFICATIONS:

- Solid brass construction
- 1/2" NPT threads

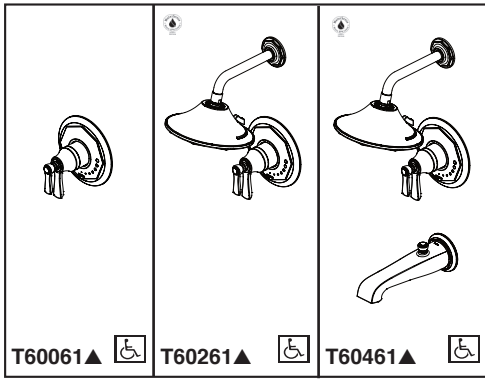
WARRANTY

- Lifetime limited warranty on parts (other than electronic parts and batteries) and finishes; or, for commercial users, for 5 years from date of purchase.
- 5 year limited warranty on electronic parts (other than batteries); or, for commercial users, for 1 year from the date of purchase. No warranty is provided on batteries.

BRIZO®

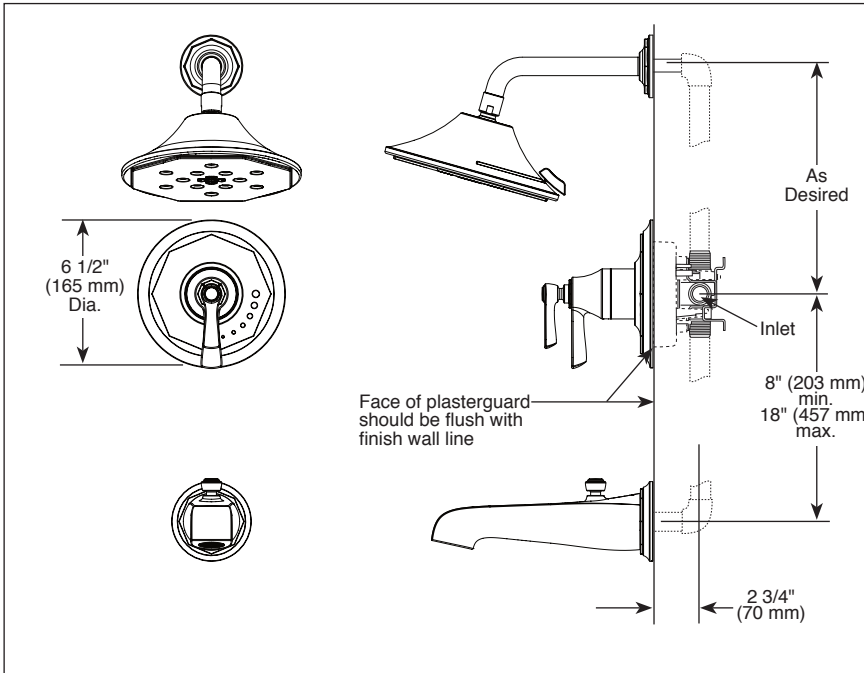
TUB AND SHOWER FAUCET TRIM

- Rook™ Collection
- Valve Only (T60061)
- Shower Only (T60261)
- Tub/Shower (T60461)



Submitted Model No.: _____

Specific Features: _____



FEATURES:

- TempAssure® thermostatic valve cartridge
- Multi-function showerhead featuring H₂Okinetic Technology®

STANDARD SPECIFICATIONS:

- Multi-function showerhead - 1.75 gpm @ 80 psi, 6.6 L/min @ 550 kPa
- Thermostatic wax element maintains the outlet temperature to ±3.6°F
- Must also order MultiChoice® Universal rough valve body (R60000 Series)
- Back-to-back installation capability
- Lever volume control handle; temperature adjustment lever
- Graphics indicate hot/cold temperature adjustment
- Field adjustable to limit handle rotation into hot water zone
- All parts replaceable from the front of the valve
- Adjusts for up to 1" wall thickness. Optional extension kit (RP74785) extends rough installation up to 1 3/4"
- Solid brass showerarm and tub spout with pull-up diverter
- 1/2"-14 threaded tub spout

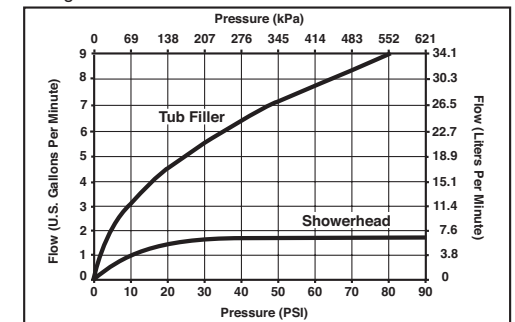
WARRANTY

- Lifetime limited warranty on parts (other than electronic parts and batteries) and finishes: or, for commercial users, for 5 years from date of purchase.
- 5 year limited warranty on electronic parts (other than batteries); or, for commercial users, for 1 year from the date of purchase. No warranty is provided on batteries.

COMPLIES WITH:

- ASME A112.18.1 / CSA B125.1
- ICC/ANSI A117.1 - Valve control only
- EPA WaterSense®

Using R60000-UNBX:



For additional flow rate information reference the Brizo price book.

87461▲ 1.75 GPM Showerhead

Massaging Spray

Pause

H₂Okinetic Technology® Full Body

H₂Okinetic Technology® Invigorating

RP78581▲ (Pull-Up Diverter)

RP78582▲ (Non-Diverter)

RP78583▲ Channel (Non-Diverter)

RP74785 Available Extension Kit

▲ Designate proper finish suffix

Brizo Kitchen & Bath Company reserves the right (1) to make changes in specifications and materials, and (2) to change or discontinue models, both without notice or obligation. Dimensions are for reference only. See current full-line price book or www.brizo.com for finish options and product availability.

BSP-B-T60061 Rev. B

Brizo Kitchen & Bath Company

55 E. 111th Street, Indianapolis, Indiana 46280
350 South Edgeware Road, St. Thomas, ON N5P 4L1
© 2017 Brizo Kitchen & Bath Company