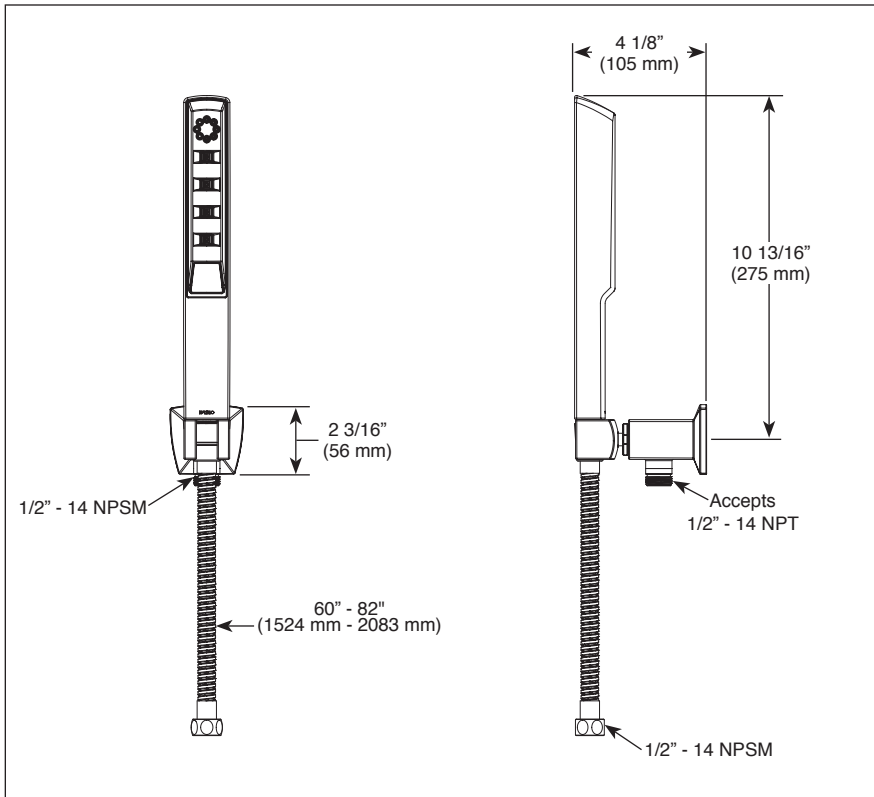


88888▲



Submitted Model No.: _____

Specific Features: _____



▲ Designate proper finish suffix

Spray Pattern



H₂Okinetic
Technology®



Massaging
Spray



Pause

- ◆ Your Brizo Faucet hand shower incorporates a backflow protection system that has been tested to be in compliance with ASME A112.18.3. It incorporates two certified check valves in series, which operate independently and are integral, non-serviceable parts of the wand assembly.

Brizo Kitchen & Bath Company reserves the right (1) to make changes in specifications and materials, and (2) to change or discontinue models, both without notice or obligation. Dimensions are for reference only. See current full-line price book or www.brizo.com for finish options and product availability.

BSP-B-88888 Rev. A

BRIZO® ON-WALL HAND SHOWER

■ Vettis™ Collection

FEATURES:

- Multi function handshower featuring H₂Okinetic Technology®

STANDARD SPECIFICATIONS:

- 2.0 gpm @ 80 psi, 7.6 L/min @ 552 kPa
- Wall mount bracket includes integrated elbow for hose connection
- Wall mount bracket is adjustable
- Certified dual check valves for backflow prevention
- 60-82" (1524 mm-2083 mm) stretchable finished metal hose

WARRANTY

- Lifetime limited warranty on parts (other than electronic parts and batteries) and finishes: or, for commercial users, for 5 years from date of purchase.
- 5 year limited warranty on electronic parts (other than batteries); or, for commercial users, for 1 year from the date of purchase. No warranty is provided on batteries.



COMPLIES WITH:

- ASME A112.18.1 / CSA B125.1 ◆
- ◆ Indicates compliance to
 ICC/ANSI A117.1
- EPA WaterSense®

Brizo Kitchen & Bath Company
55 E. 111th Street, Indianapolis, IN 46280
350 South Edgeware Road, St. Thomas, ON N5P 4L1
© 2017 Brizo Kitchen & Bath Company